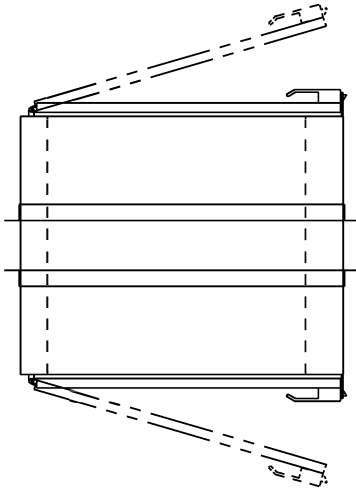


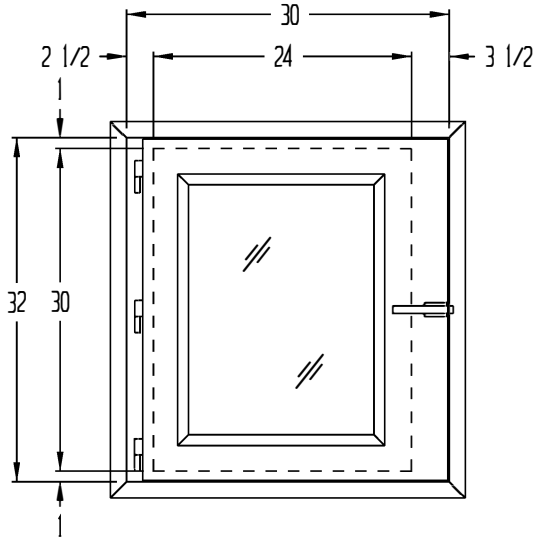
REVISIONS			
REV	DESCRIPTION	DATE	APPROVED



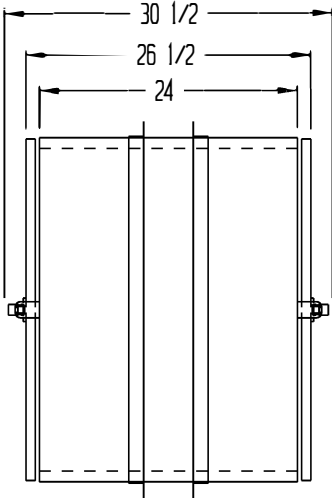
NOTES:

- UNIT FABRICATION TO BE DOUBLE WALL CONSTRUCTION
- UNIT TO BE CONSTRUCTED OF 16 & 20 GA. 304 STAINLESS STEEL WITH #4 FINISH
- DOORS TO BE CONSTRUCTED OF 16 GA. 304 STAINLESS STEEL WITH 1/4" THICK CLEAR ACRYLIC GLAZING, SS PIN HINGES AND STAINLESS STEEL COMPRESSION HANDLE
- UNIT TO BE SUPPLIED WITH 1-1/2" X 1-1/2" X 16 GA. WELDED 304 STAINLESS STEEL FINISHING TRIMS POLISHED BOTH SIDES (TO BE FIELD INSTALLED)
- UNIT TO HAVE A MECHANICAL DOOR INTERLOCK SYSTEM
- ROUGH OPENING TO BE 1/4" LARGER THAN OUTSIDE DIMENSIONS OF UNIT

PLAN VIEW



FRONT VIEW



SIDE VIEW

DRAWN FOR		<b>HALE &amp; HALCO COMPANY, INC.</b> 100 NO. GORDON STREET ELK GROVE, IL. 60007		
		TITLE PT2430-24/SS/MI		
DRAWN BY	DK	SIZE	JOB NO. 14536	DWG NO. 1521029A0
APPROVED BY		SCALE	5/8" = 1'	DATE 2/11/19
				REF