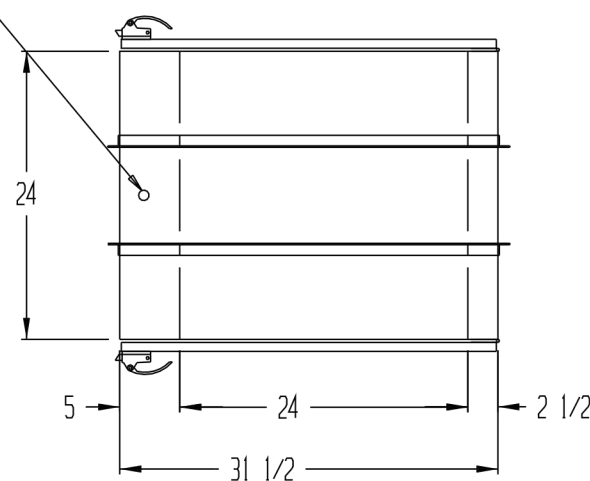


REVISIONS			
REV	DESCRIPTION	DATE	APPROVED

1/2" KNOCKOUT FOR ELECTRICAL SERVICE CONNECTION
115 VOLT, 1 PHASE, 3.0 FLA



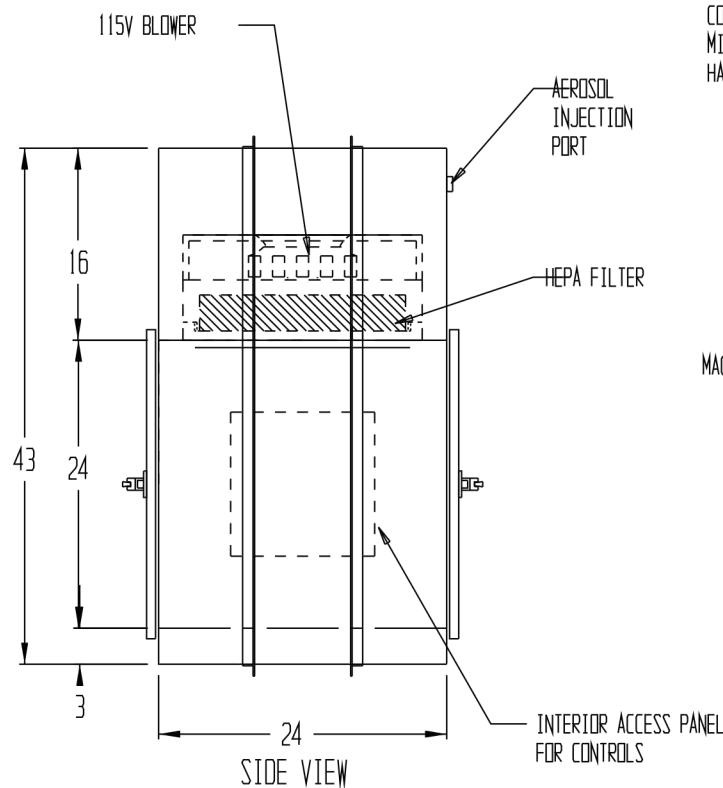
TOP VIEW

SEQUENCE OF OPERATION:

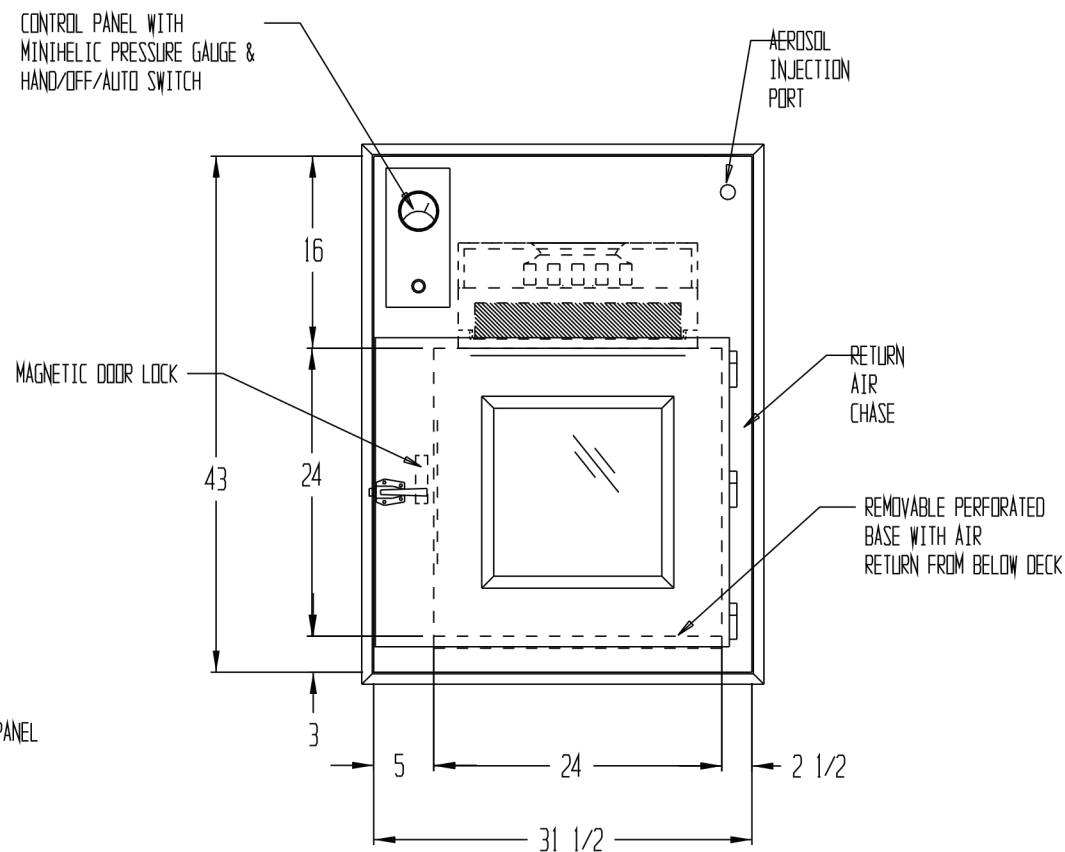
- TECHNICIAN WILL OPEN ONE DOOR, WHICH WILL LOCK OPPOSITE DOOR.
- MATERIAL WILL BE LOADED INTO PASS-THRU AND DOOR WILL BE CLOSED.
- ONCE THE ENTRY DOOR IS CLOSED, BOTH DOORS WILL UNLOCK
- WHEN EITHER DOOR IS OPENED, THE OTHER WILL LOCK
- THE RECIRCULATING FAN WILL TURN ON WHEN THE DOOR IS OPENED AND WILL TIME OUT AFTER BOTH DOORS ARE CLOSED (STEEABLE TIME CYCLE)
- UNIT PROVIDED WITH A BYPASS SWITCH TO ALLOW PURGE TO RUN CONTINUOUSLY

NOTES:

- UNIT TO BE CONSTRUCTED OF 16 GA. TYPE 316L STAINLESS STEEL WITH A #4 FINISH
- DOORS TO BE STAINLESS STEEL FRAMED WITH 1/4" THICK CLEAR TEMPERED GLASS GLAZING, SS LATCHING HANDLE, SS PIN HINGES AND CLOSED CELL EPDM GASKET
- MOUNTING ANGLE TO BE 1 1/2" X 1 1/2" X 16 GA. TYPE 316L STAINLESS STEEL (SUPPLIED, NOT ATTACHED)
- UNIT TO HAVE FAIL-SAFE ELECTRONIC INTERLOCKING SYSTEM WITH MAGNETIC LOCKS THAT FAIL OPEN WITH LOSS OF POWER
- ROUGH OPENING SIZE SHOULD BE 1/4" LARGER THAN UNIT SIZE
- PERFORATED STAINLESS STEEL DIFFUSER PLATE MOUNTED BELOW FILTER
- CONSTANT PURGING, RECIRCULATING BLOWER, 225 CFM, W/ GEL SEAL REPLACEABLE 99.999% HEPA, 18" X 18" X 3 1/2"



SIDE VIEW



FRONT VIEW

1 UNIT REQUIRED AS SHOWN

DRAWN FOR		HALCO PRODUCTS CO. 100 NO. GORDON STREET ELK GROVE, IL. 60007			
		TITLE PT2424-24/SS/EI/HC/SP			
DRAWN BY	DK	SIZE	JOB NO.	DWG NO.	REV
APPROVED BY		SCALE	-----	1518273B0	
		3/4" = 1'-0"	DATE	7/1/14	