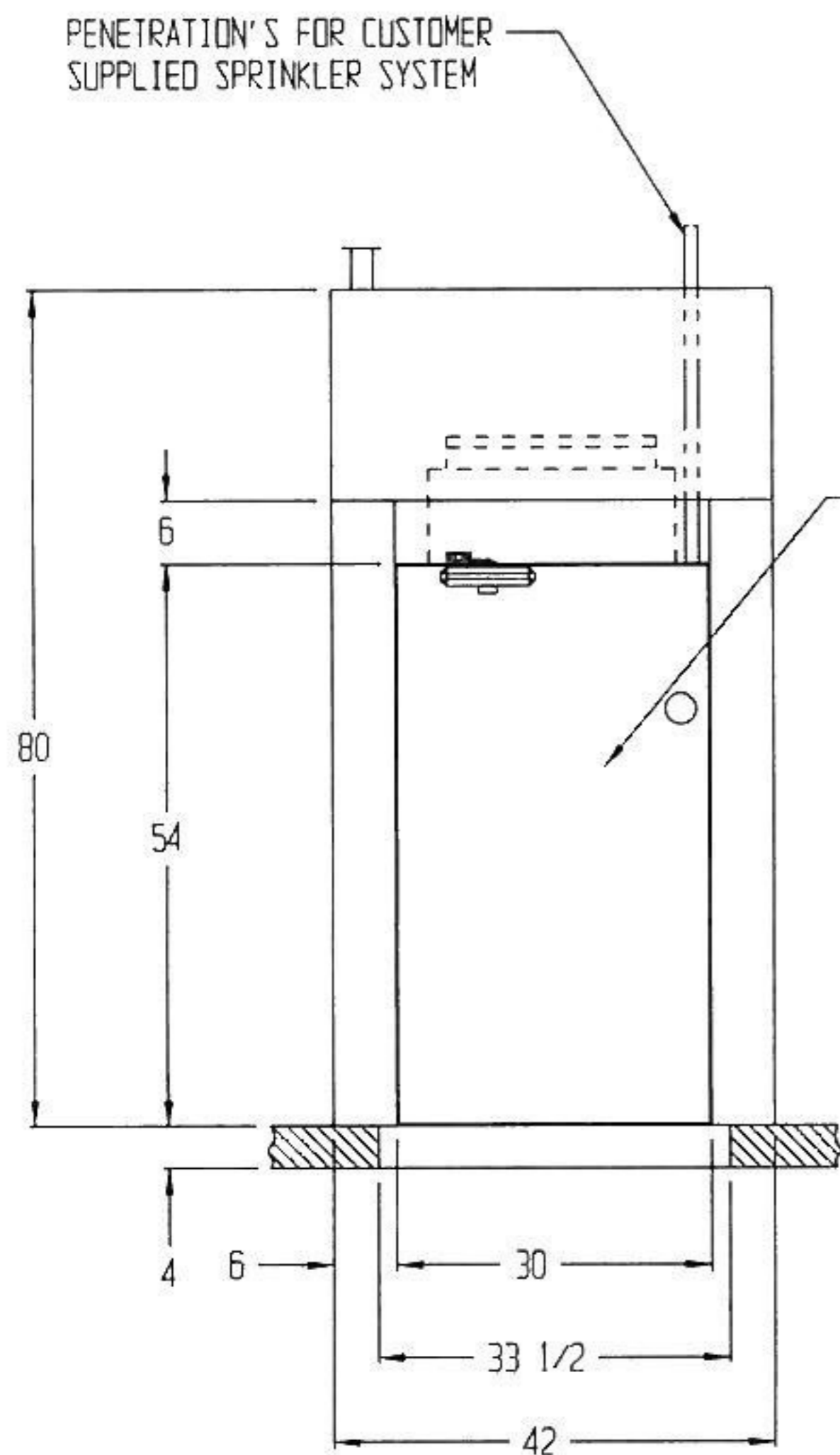
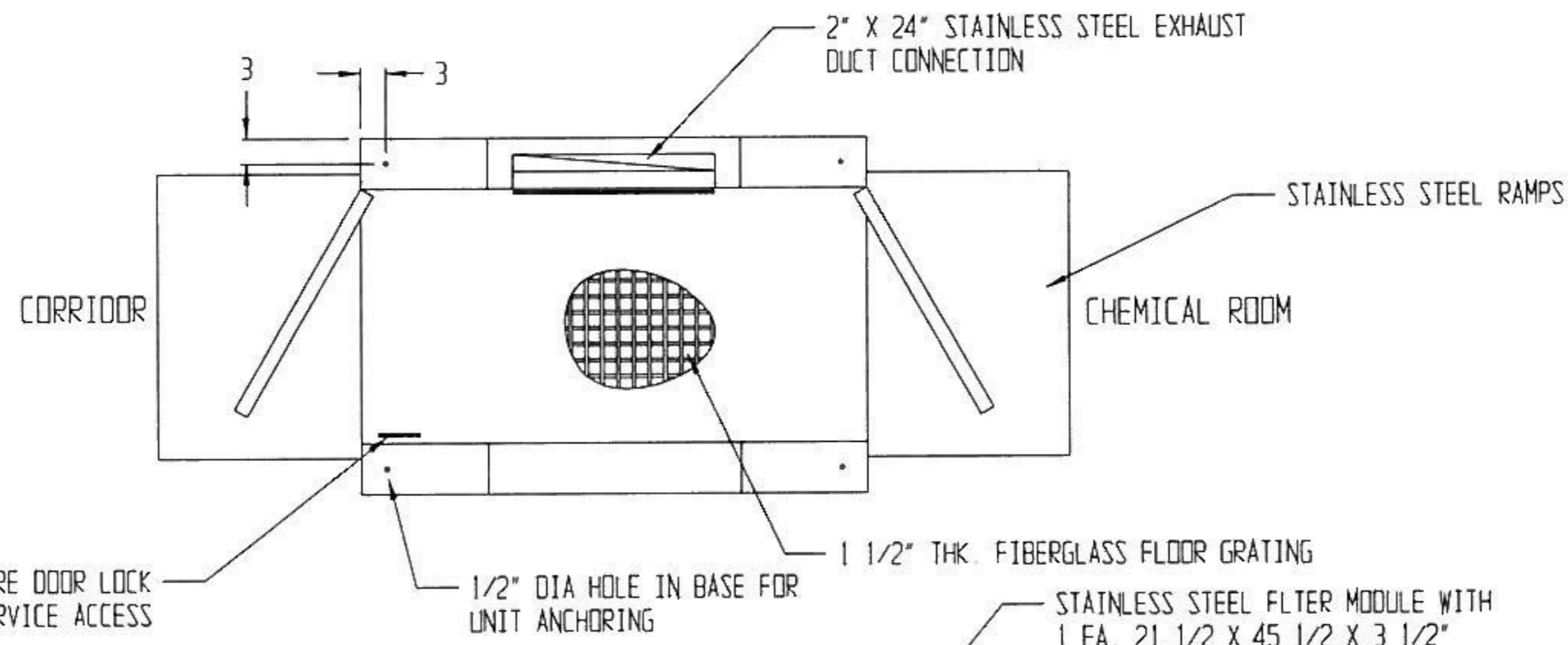


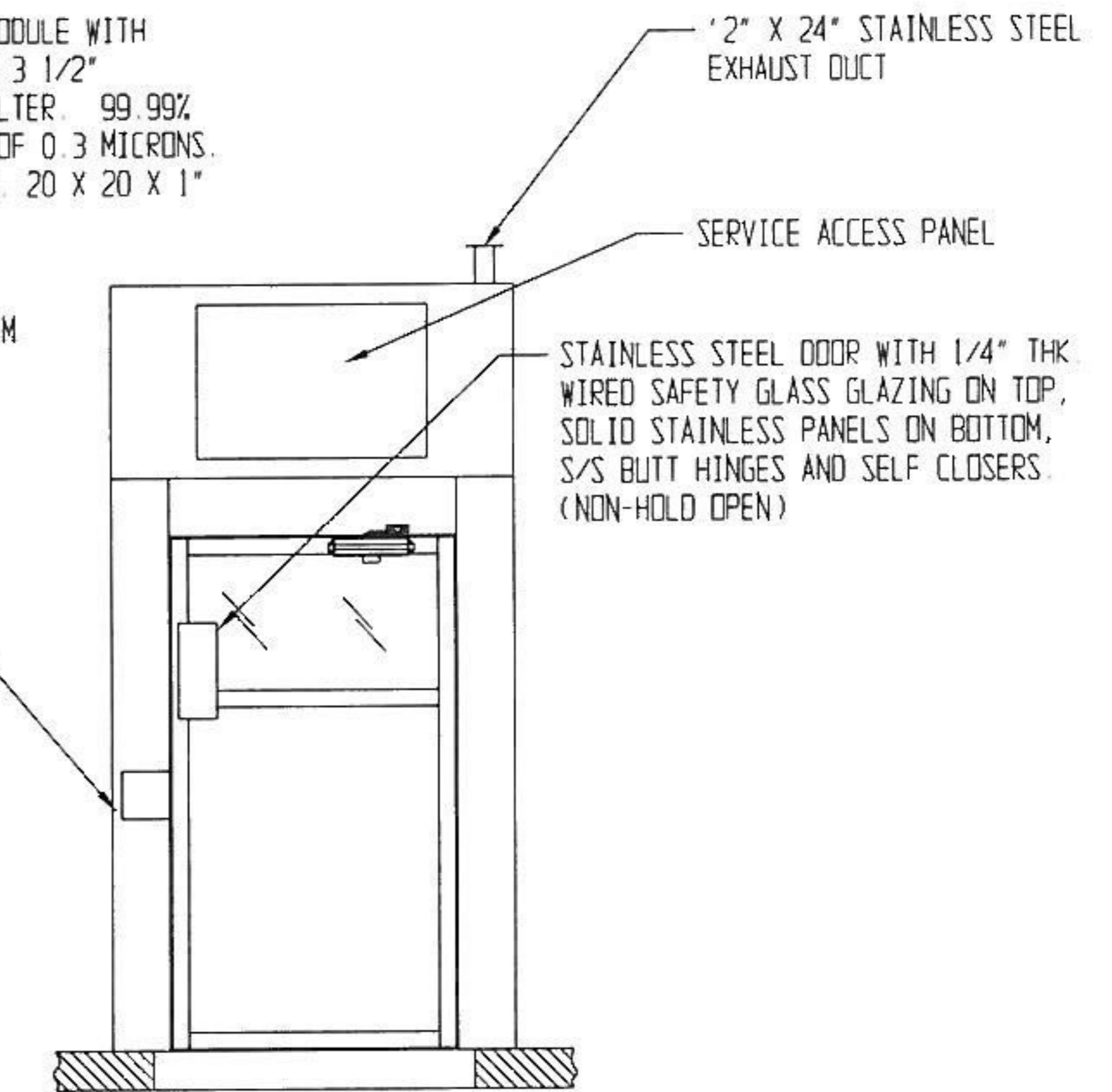
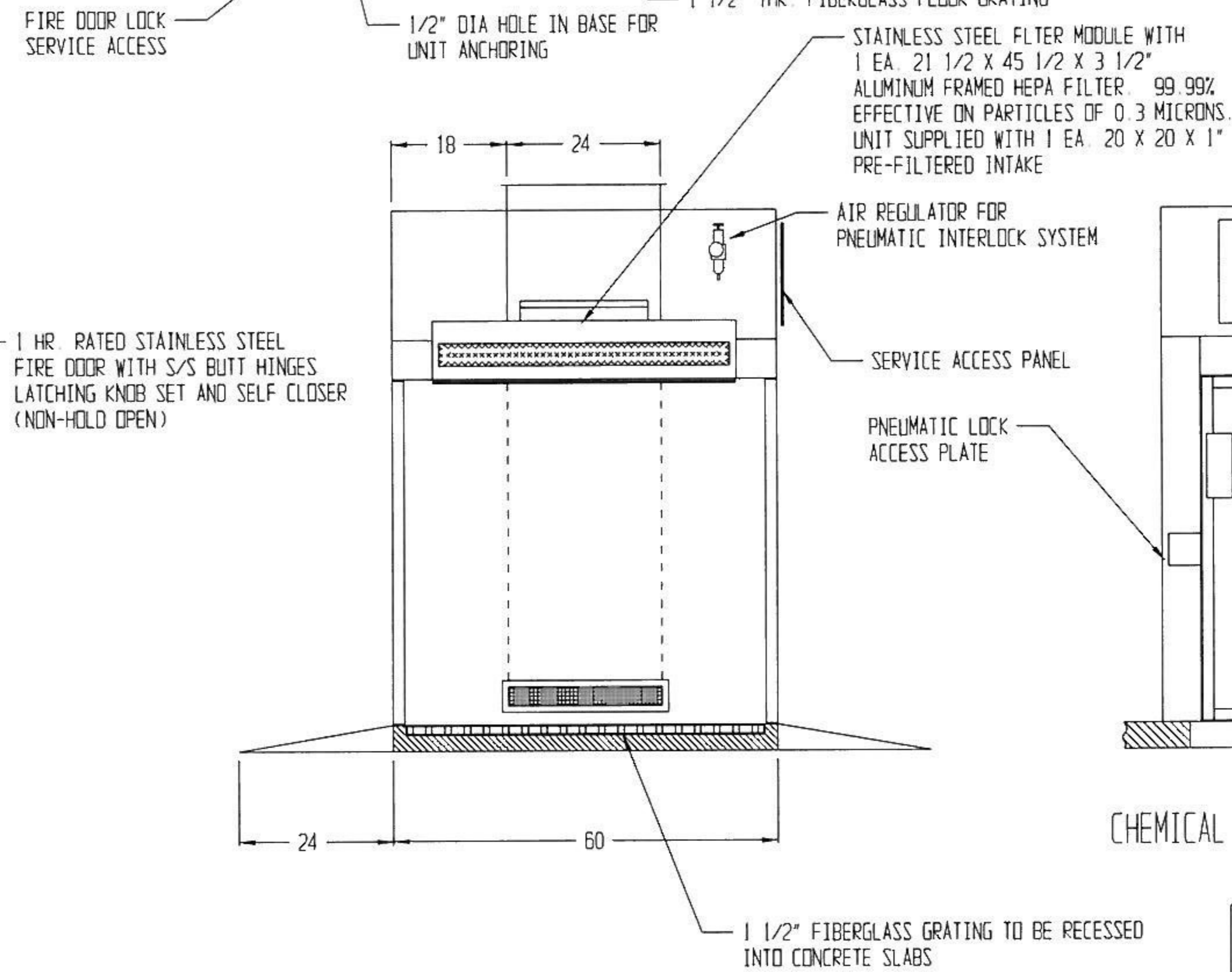
REVISIONS			
REV	DESCRIPTION	DATE	APPROVED

NOTES:

- UNIT CONSTRUCTED OF 16 GA. TYPE 304 STAINLESS STEEL WITH A #3 FINISH
- UNIT CONSTRUCTED WITH INWARD TURNED FLANGES WHICH ARE BOLTED TOGETHER AND SEALED WITH URETHANE CAULKING
- UNIT TO HAVE A PNEUMATIC INTERLOCK SYSTEM REQUIRING 40 PSI MAX



CORRIDOR SIDE ELEVATION



CHEMICAL ROOM SIDE ELEVATION

DRAWN FOR		HALCO PRODUCTS COMPANY		
		100 NORTH GORDON STREET ELK GROVE, IL 60007-1193		
TITLE		CART PASS-THRU MODEL CPT3060-48/SS/SP		
DRAWN BY	DK	SIZE	JOB NO. 8015	ENG NO. 15829700
APPROVED BY		SCALE 1"=1'-0"	DATE 1-30-95	SHEET