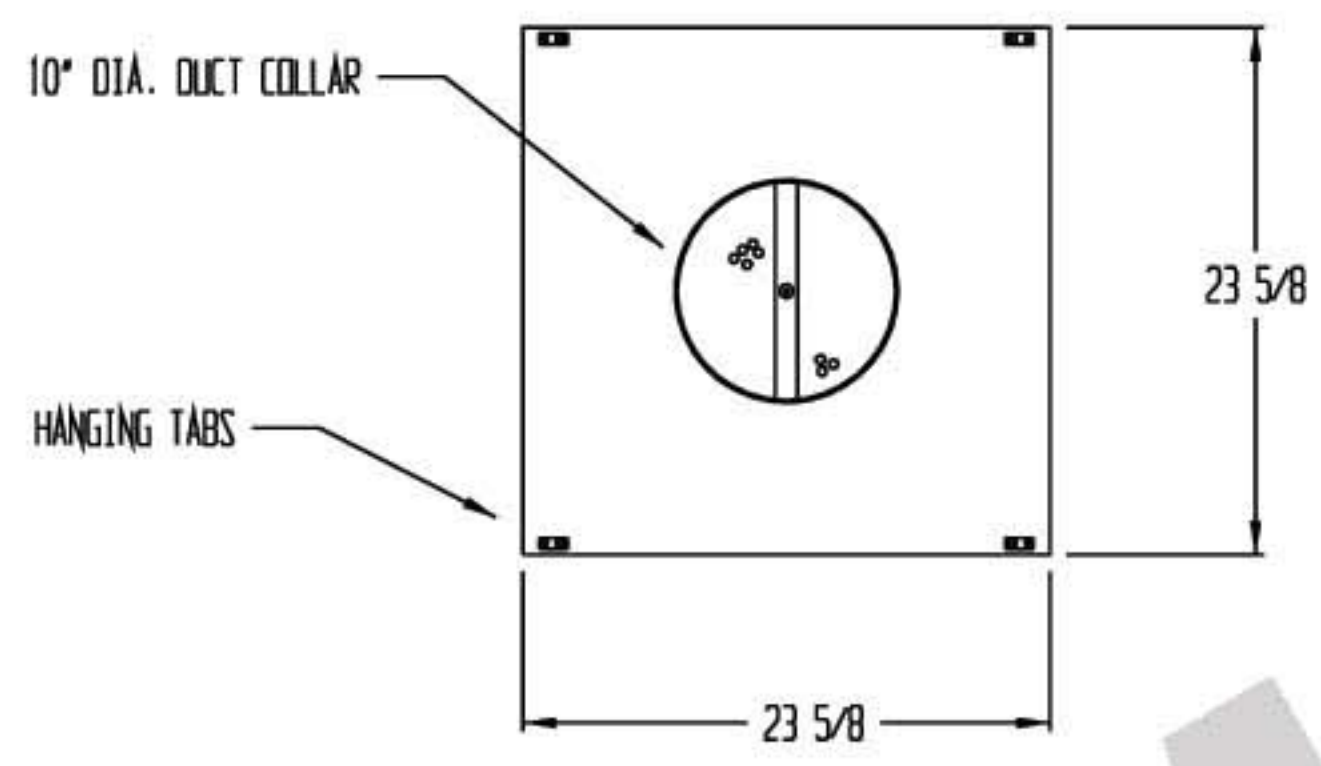
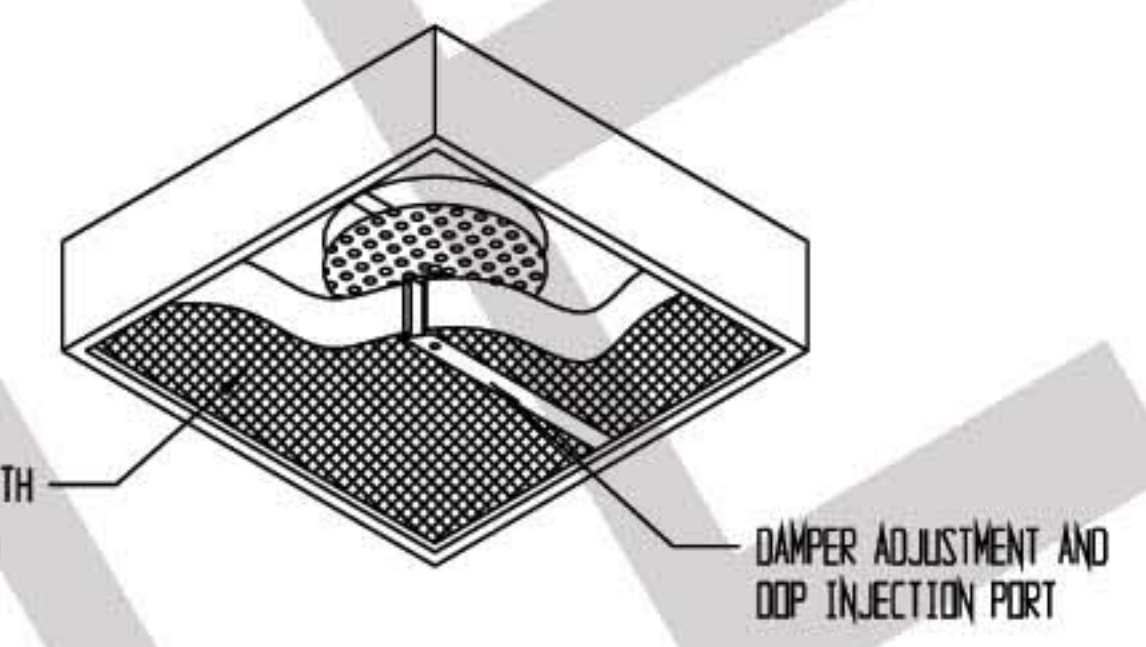


REVISIONS			
REV	DESCRIPTION	DATE	APPROVED

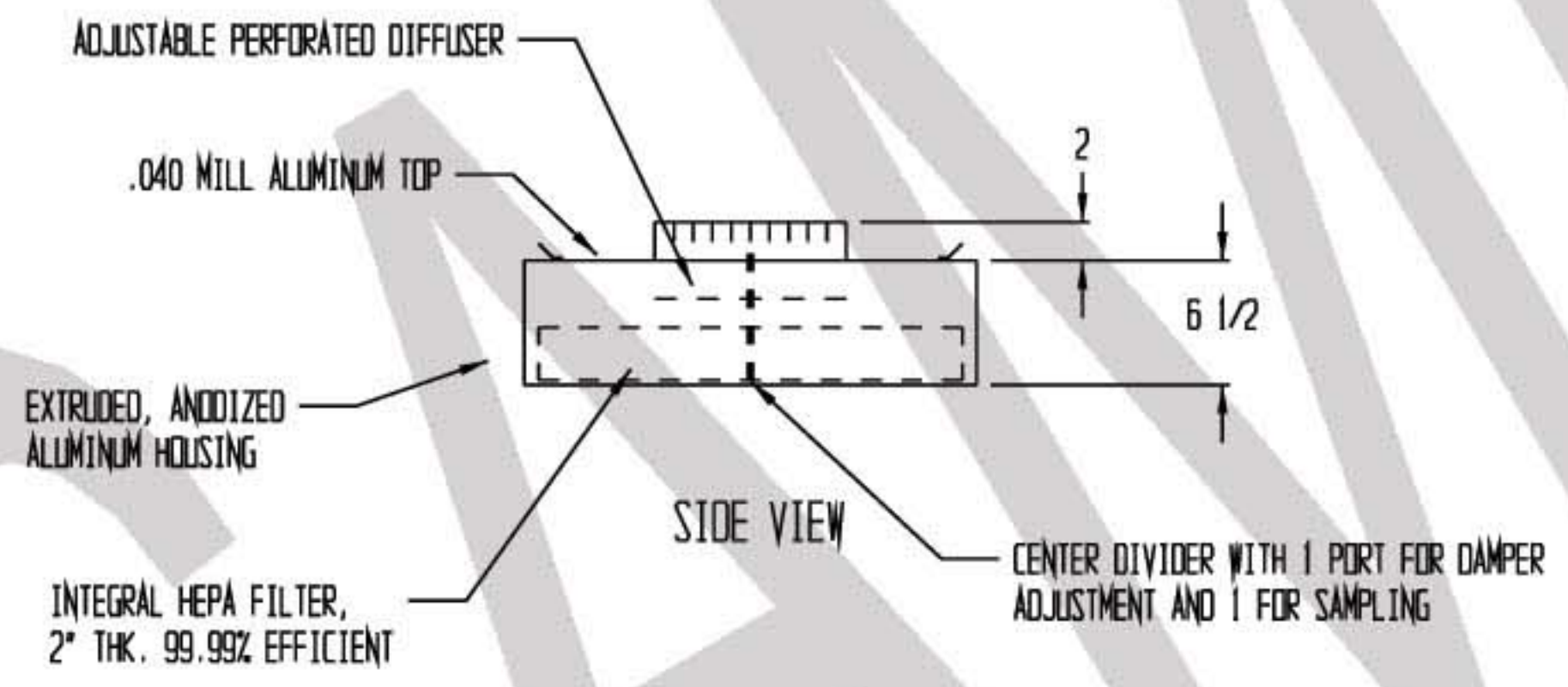


TOP VIEW



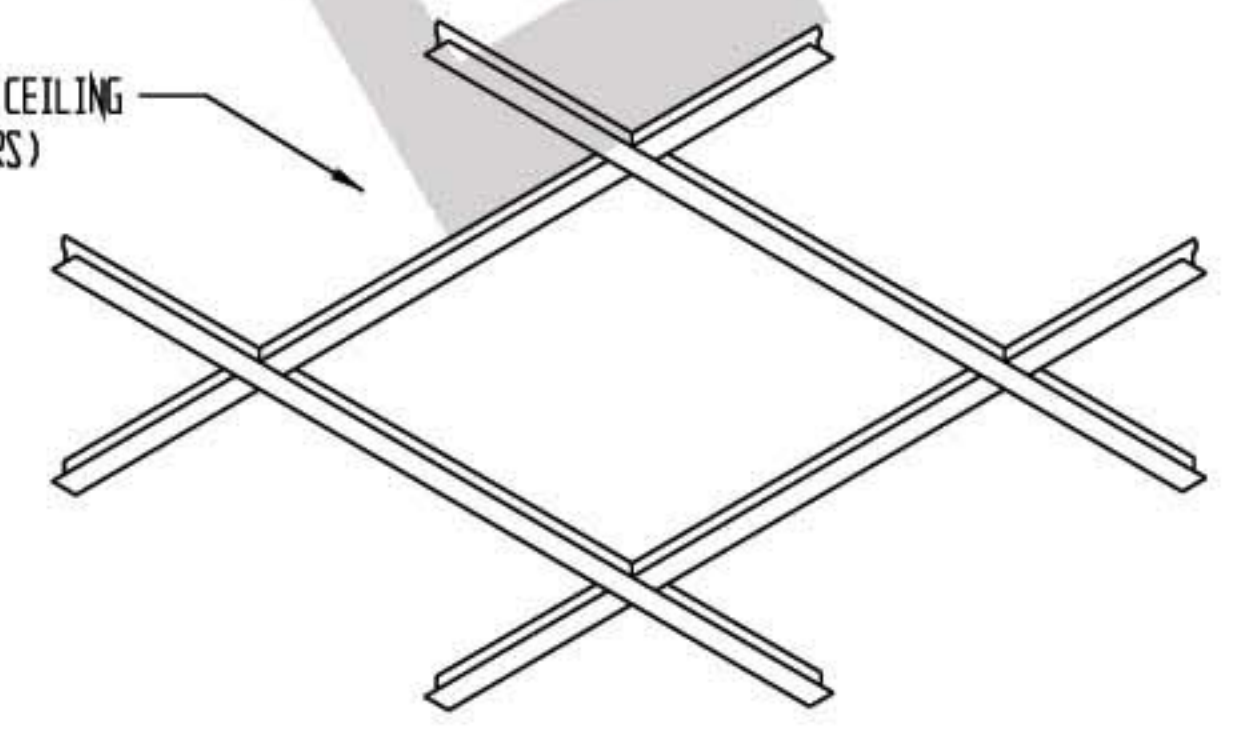
EXPANDED ALUMINUM WITH WHITE POWDER COATING

DAMPER ADJUSTMENT AND ODP INJECTION PORT

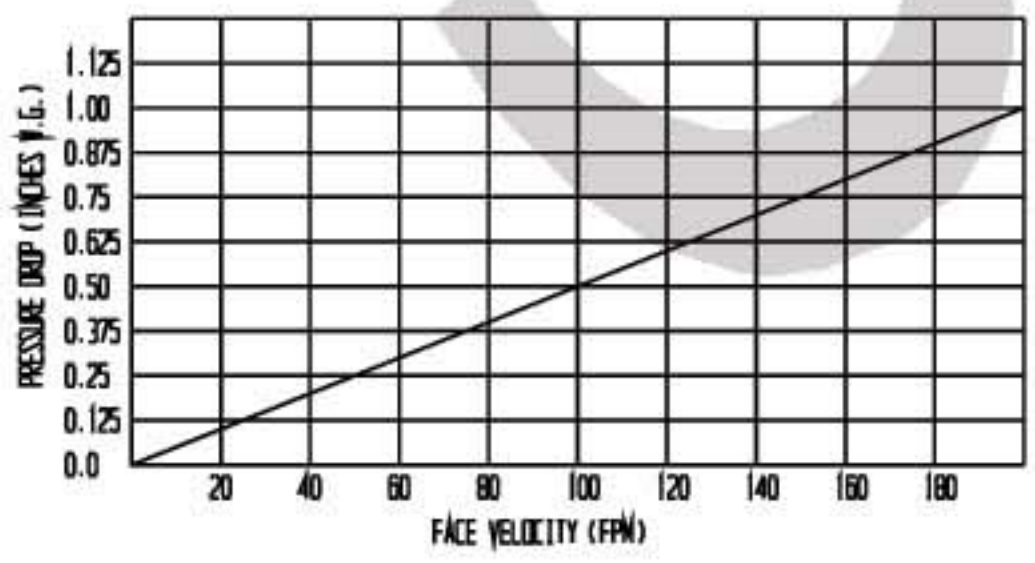


SIDE VIEW

T GRID CEILING (BY OTHERS)



PRESSURE DROP VS. FACE VELOCITY
HEPA FILTER 2" MEDIA DEPTH, 99.99% @0.3 MICRONS



NOTES:

- UNIT TO BE CONSTRUCTED OF .063 MILL ALUMINUM
- UNIT TO MEET FEDERAL STANDARDS 209 B&E FOR CLASS 100 DEVICES

DRAWN FOR		HALCO PRODUCTS CO.			
		100 NO. GORDON STREET ELK GROVE, IL. 60007			
		TITLE FILTER MODULE - TM2424-2 AL/10/WE			
DRAWN BY	TM	SIZE	JOB NO.	DNQ NO.	1716130A0
APPROVED BY		SCALE	NONE	DATE	4-27-10
				SHEET	