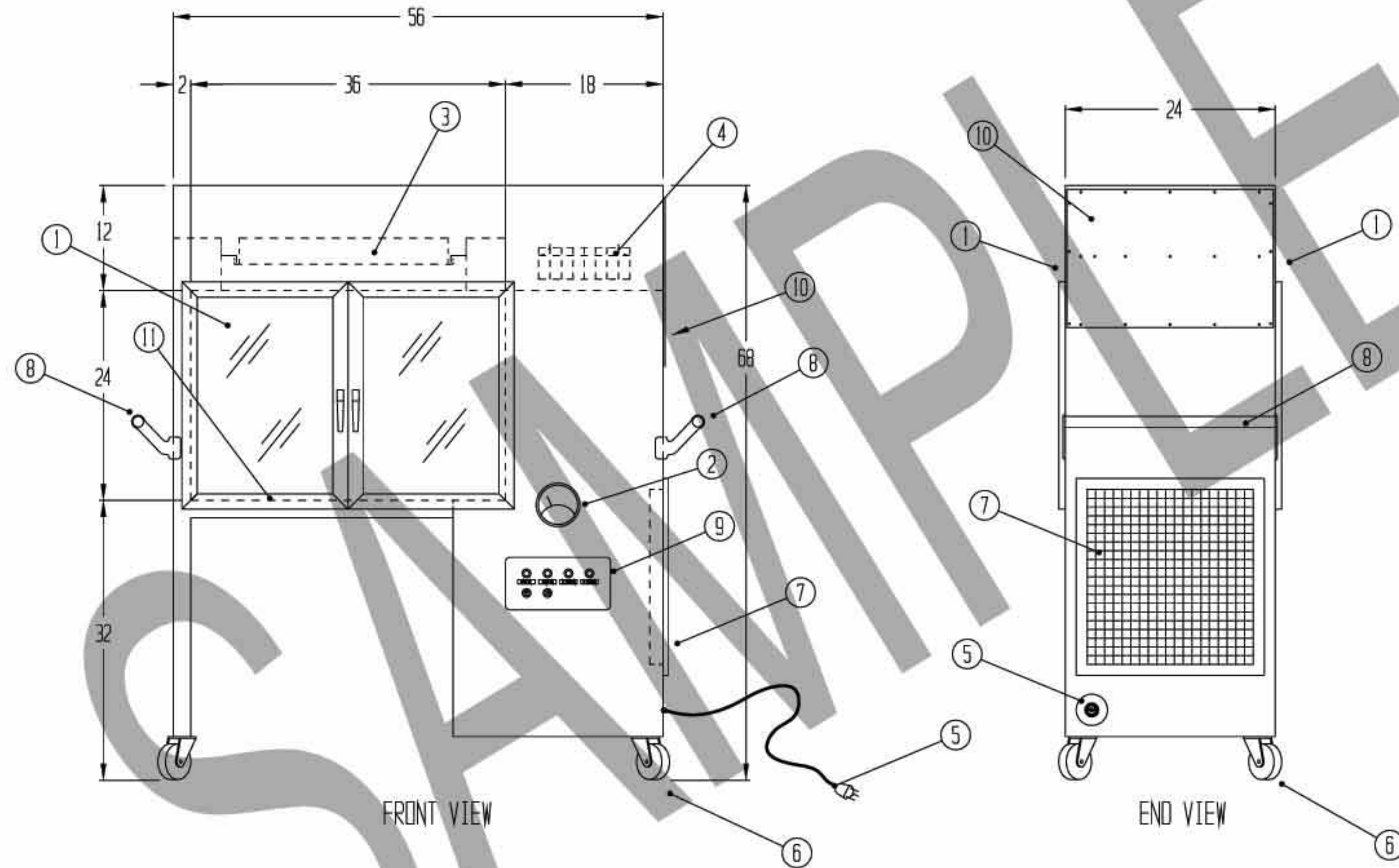


REVISIONS			
REV	DESCRIPTION	DATE	APPROVED
	AS BUILT		



- ① DOORS, FRAMED IN ANODIZED ALUMINUM WITH 1/4" THK. LEXAN INSERTS, CONTINUOUS STAINLESS STEEL HINGE AND QUARTER TURN HANDLES
- ② MAGNETIC PRESSURE GAUGE
- ③ 1 EA. 24 X25 X 3 1/2" ALUMINUM FRAMED HEPA FILTER, 99.99% EFFICIENT ON 0.3 MICRON SIZE PARTICLES, GEL SEALED, REPLACABLE FROM WITHIN THE CHAMBER
- ④ 1 EA. IMPELLAR TYPE BLOWER WITH A 100W MOTOR 115V/ 60HZ WITH A TOTAL CAPACITY OF 400 FPM
- ⑤ RETRACTABLE POWER CORD
- ⑥ 4 EA. LOCKING SWIVEL CASTERS
- ⑦ 1 EA 20 X 20 STAINLESS STEEL PRE-FILTER GRILLE WITH 35% EFFICIENT, DISPOSABLE PRE-FILTER
- ⑧ STAINLESS STEEL PUSH-PULL HARDWARE
- ⑨ CONTROL PANEL WITH PUSH BUTTON SWITCHES AND PILOT LIGHTS
- ⑩ SERVICE ACCESS PANEL
- ⑪ PERFORATED STAINLESS STEEL WORK SURFACE

NOTES:

- UNIT CONSTRUCTION TO BE 16 GA. TYPE 304 STAINLESS STEEL WITH A #4 FINISH
- UNIT TO MEET OR EXCEED FEDERAL STANDARD 209B AND 209E FOR CLASS 100 DEVICES
- ELECTRICAL WIRING TO CONFORM TO NEC STANDARDS
- EQUIPPED WITH BATTERY AND CHARGER FOR APPROX. 4 HRS. RUNNING TIME

DRAWN FOR		TITLE TRANSFER CART PTC 3624-24 SS/SP			
DRAWN BY	LYB	SIZE	JOB NO.	QWG NO.	15996580
APPROVED BY		SCALE	3/4" = 1'-0"	DATE	6-20-98
				SHEET	