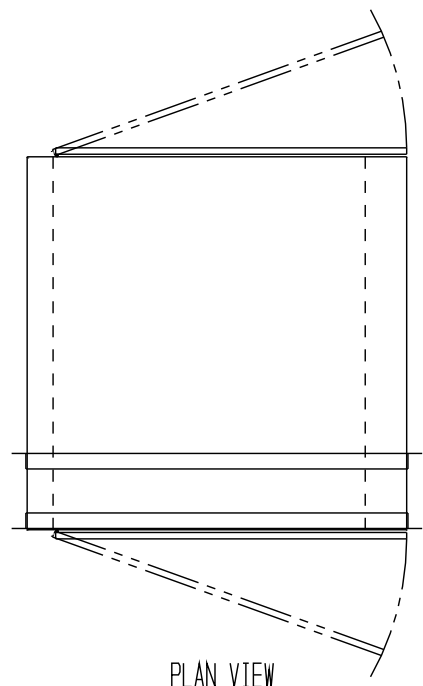


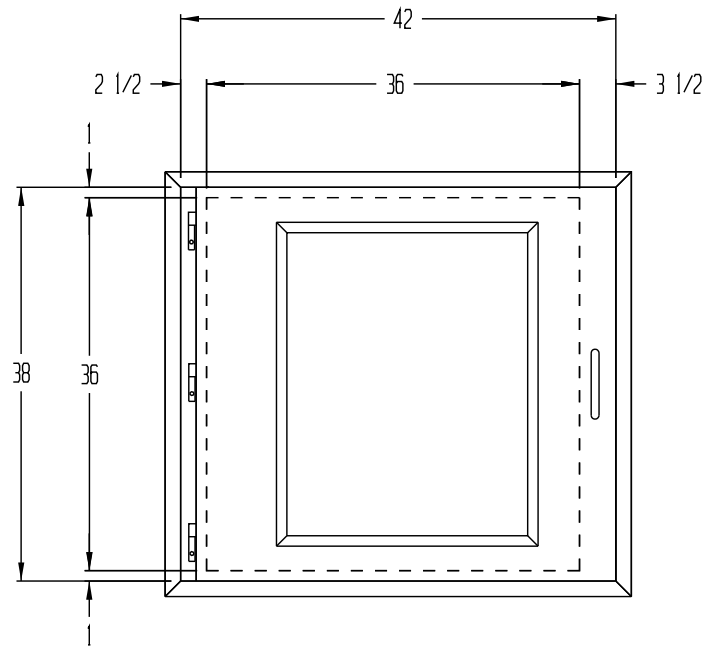
| REVISIONS | | | |
|-----------|-------------|------|----------|
| REV | DESCRIPTION | DATE | APPROVED |
| | | | |



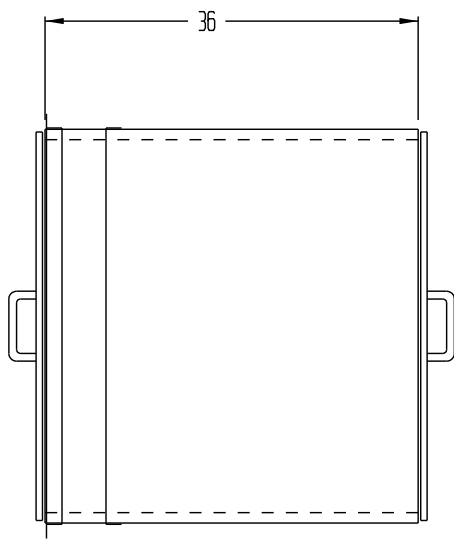
PLAN VIEW

NOTES:

- UNIT FABRICATION TO BE DOUBLE WALL, CONSTRUCTION
- UNIT TO BE CONSTRUCTED OF 16 GA. 304 STAINLESS STEEL WITH #4 FINISH
- DOORS TO BE CONSTRUCTED OF 16 GA. 304 STAINLESS STEEL WITH 1/4" THK. CLEAR ACRYLIC INSERTS, BLACK POWDER COATED PIN HINGES, EDPM GASKET AND STAINLESS STEEL "D" HANDLE
- UNIT TO BE SUPPLIED WITH 1 1/2" X 1 1/2" X 16 GA. 304 STAINLESS STEEL, ONE PIECE MOUNTING ANGLE FOR BOTH SIDES (TO BE FIELD INSTALLED)
- UNIT TO HAVE A MECHANICAL DOOR INTERLOCK SYSTEM
- ROUGH OPENING TO BE 1/4" LARGER THAN OUTSIDE DIMENSIONS OF UNIT



FRONT VIEW



SIDE VIEW

| | | | | | |
|-------------|----|--|---------|---------|---------------|
| DRAWN FOR | | HALCO PRODUCTS CO. | | | |
| | | 100 NO. GORDON STREET ELK GROVE, IL. 60007 | | | |
| | | TITLE PT3636-36 SS/NMI | | | |
| DRAWN BY | TM | SIZE | JOB NO. | DWG NO. | 1517143AHalco |
| APPROVED BY | | SCALE | NONE | DATE | 3-16-12 SHEET |