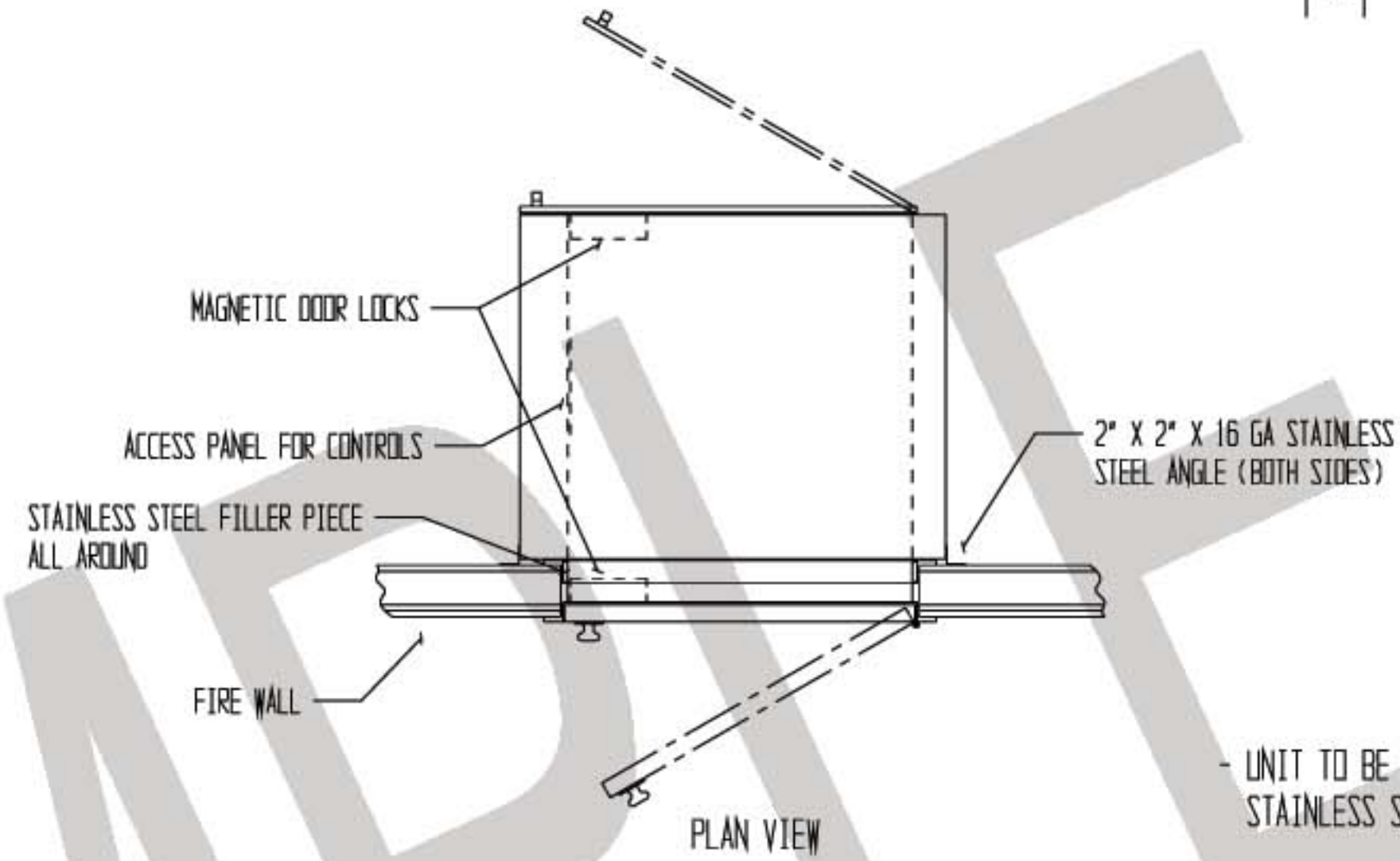


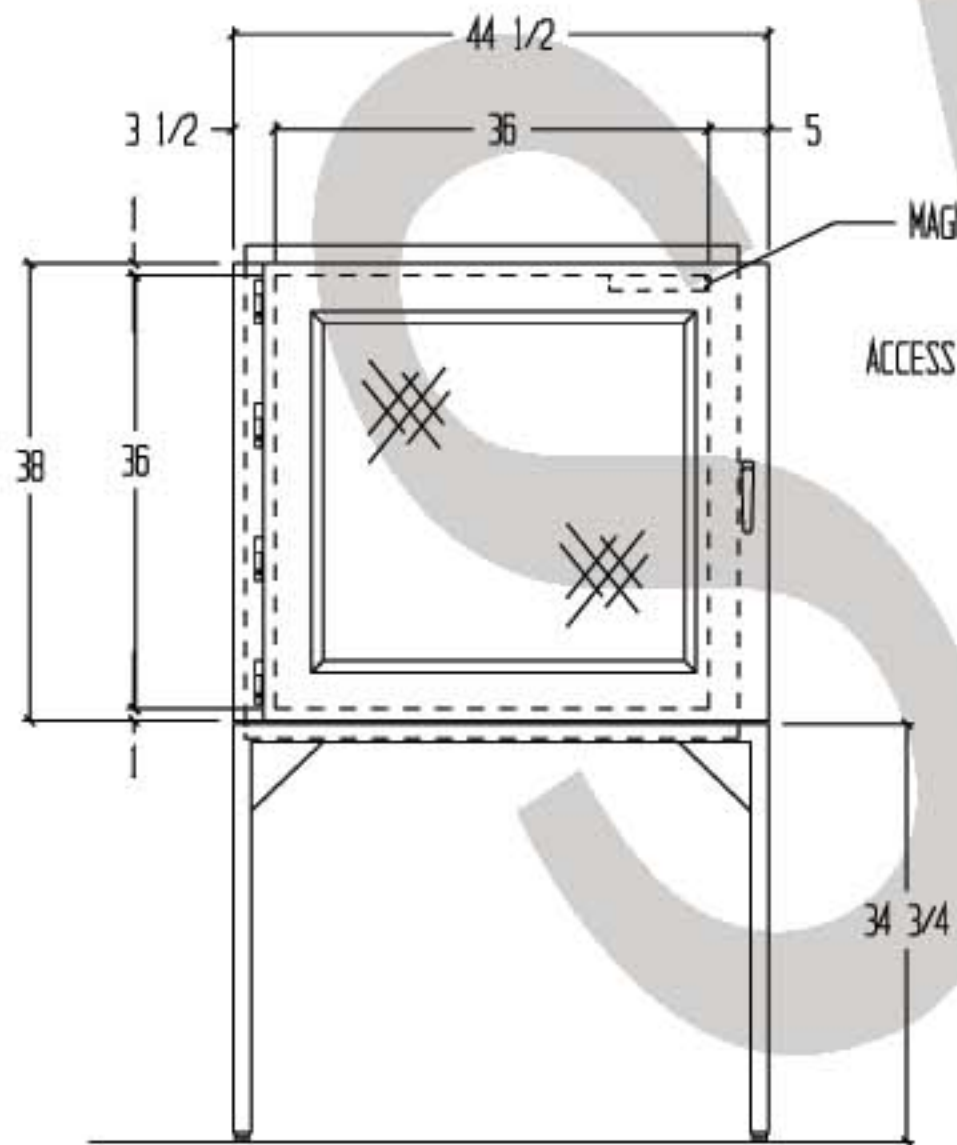
REVISIONS			
REV	DESCRIPTION	DATE	APPROVED
A	CHANGED OVERALL SIZE	3/20/10	

NOTES:

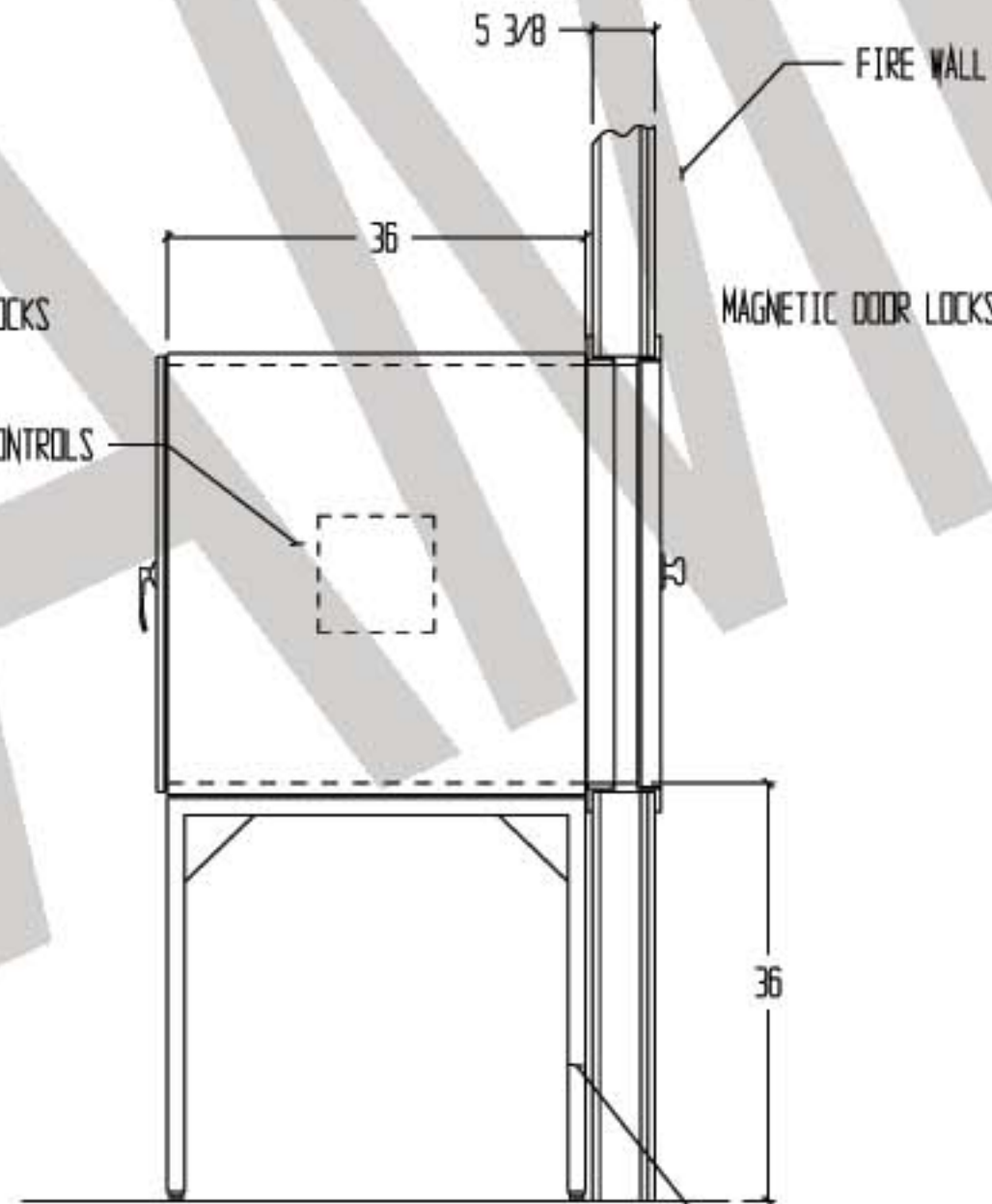
- UNIT FABRICATION TO BE DOUBLE WALL, CONSTRUCTED OF 16 GA. 304 STAINLESS STEEL WITH A NO. 4 FINISH
- (1) NON-RATED DOOR TO BE CONSTRUCTED OF 20 GA. TYPE 304 STAINLESS STEEL WITH 1/4" THK. WIRE GLASS GLAZING, PIVOT HINGES AND QUARTER TURN CHROME PLATED HANDLE. DOOR TO BE 3/4" THK, DOUBLE WALL CONSTRUCTED
- (1) FIRE RATED DOOR AND FOUR SIDED FRAME, 37" HIGH X 37" WIDE X 1 3/4", TO BE 16 GA. TYPE 304 STAINLESS STEEL, 1 1/2 HOUR RATED, UL "B" LABELED. FIRE DOOR TO BE SUPPLIED WITH STAINLESS STEEL KNOB SET, SPRING LOADED BUTT HINGES AND 10 X 10 WIRE GLASS WINDOW
- DOOR GASKET TO BE NON-PARTICULATING TYPE



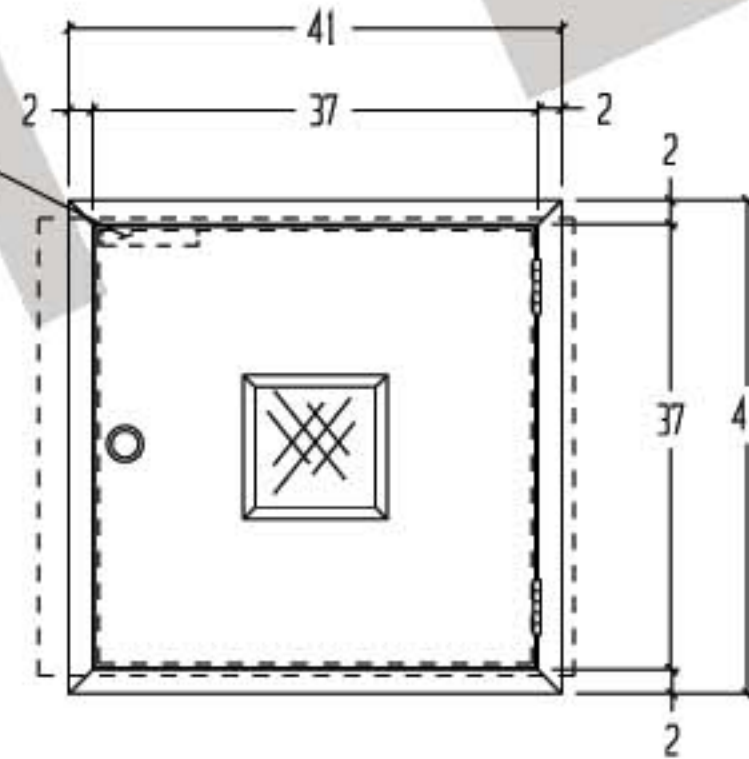
- UNIT TO BE SUPPLIED WITH 2" X 2" X 16 GA. 304 STAINLESS STEEL MOUNTING (TO BE FIELD INSTALLED)
- ROUGH OPENING IN WALL TO BE FIELD DETERMINED
- UNIT SUPPLIED WITH ELECTRICAL INTERLOCK SYSTEM



REAR VIEW
(FACING NON RATED DOOR)



LEFT SIDE VIEW



FRONT VIEW
(FIRE RATED DOOR)

(2) UNITS REQUIRED, AS SHOWN

DRAWN FOR		HALCO PRODUCTS COMPANY 100 NORTH GORDON ST, ELK GROVE, ILLINOIS 60007			
DRAWN BY		TITLE PASS THRU - PT3636-36/FD/SS/EI			
APPROVED BY		SIZE	JOB NO.	QTY NO.	REV
LVB		1/2"=1'-0"			A
		SCALE	DATE	SHEET	
			3-18-10		