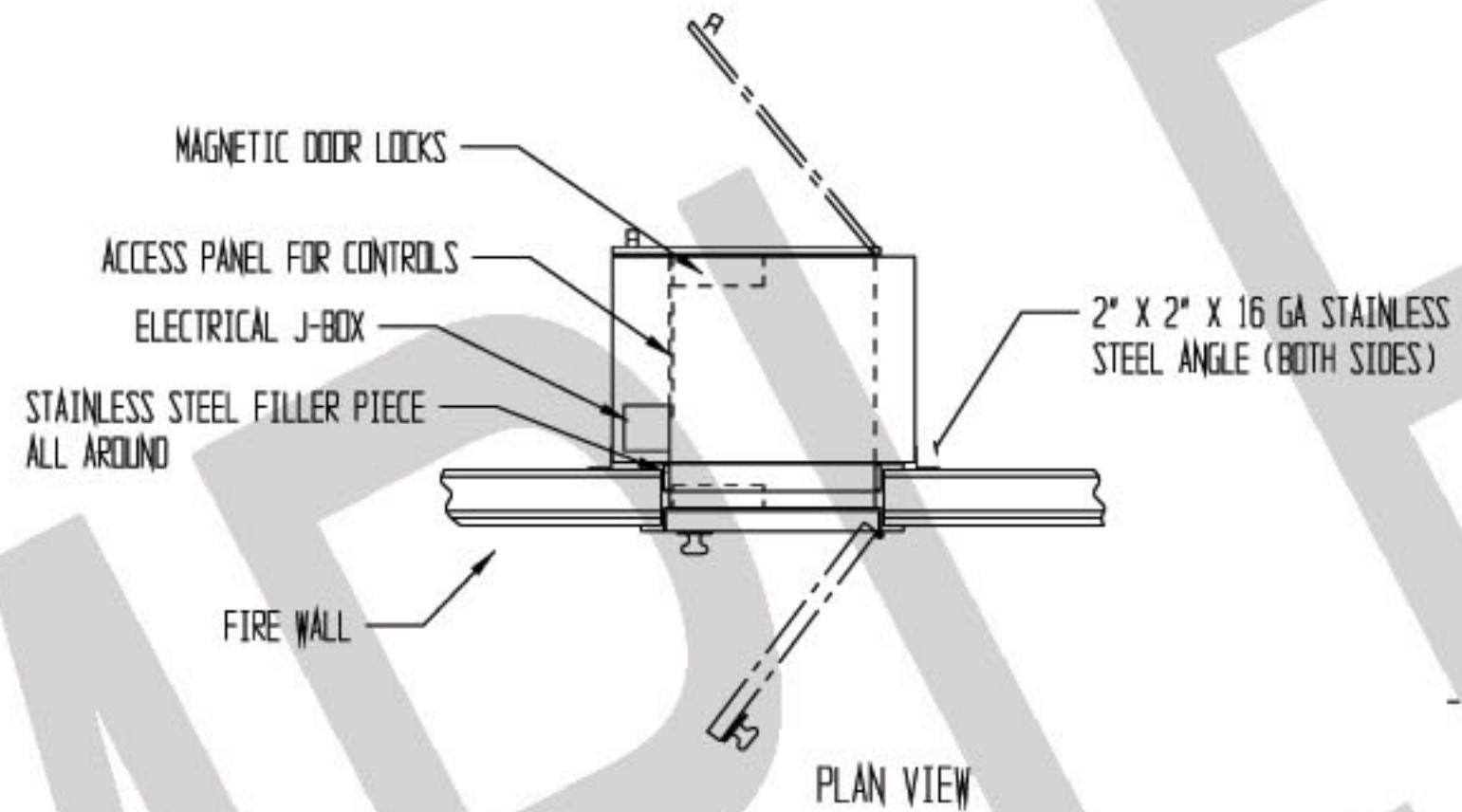


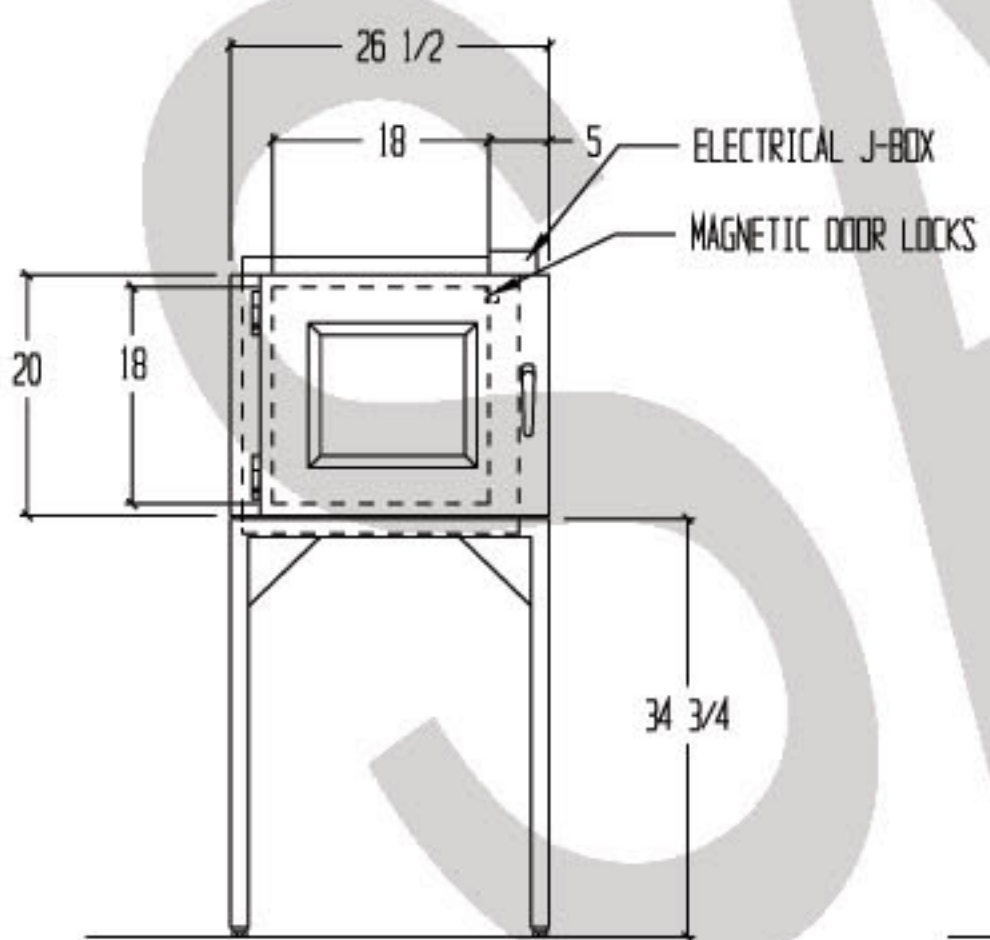
REVISIONS			
REV	DESCRIPTION	DATE	APPROVED

NOTES:

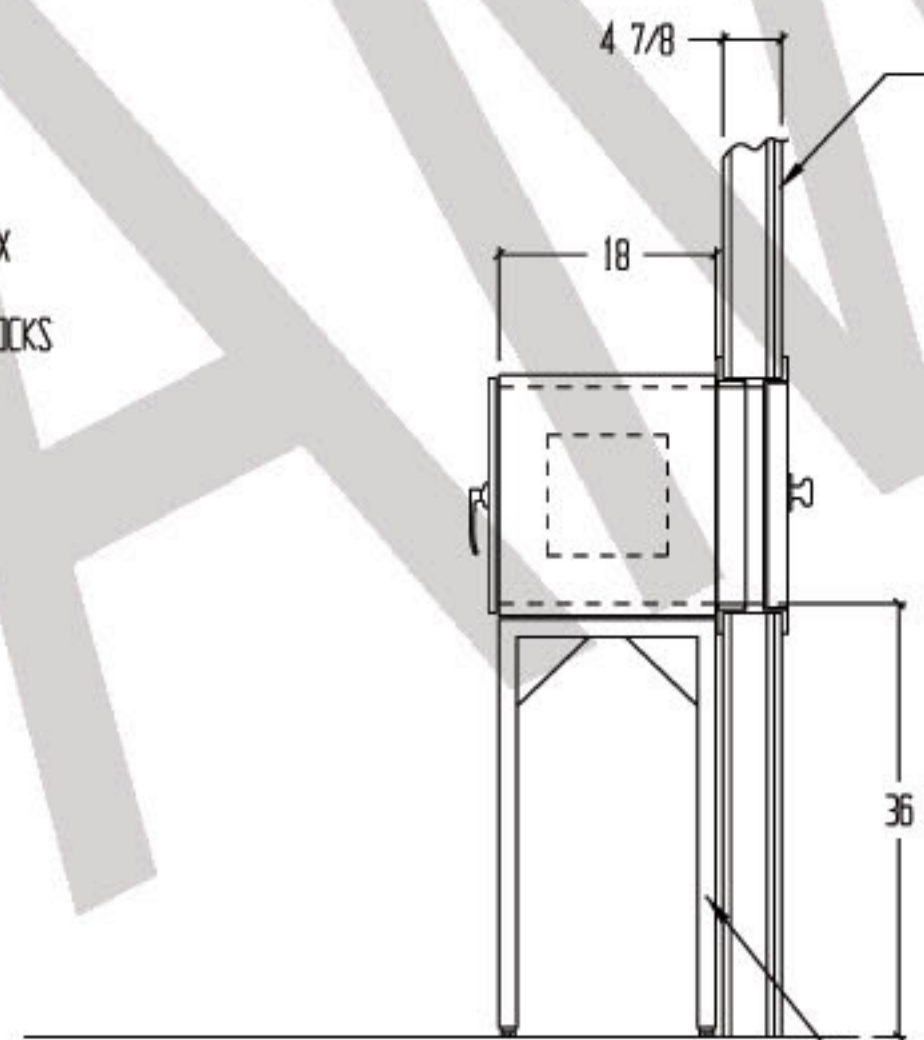
- UNIT FABRICATION TO BE DOUBLE WALL, CONSTRUCTED OF 16 GA. 304 STAINLESS STEEL WITH A NO. 4 FINISH
- (1) NON-RATED DOOR TO BE CONSTRUCTED OF 20 GA. TYPE 304 STAINLESS STEEL WITH 1/4" THK. WIRE GLASS GLAZING, PIVOT HINGES AND QUARTER TURN CHROME PLATED HANDLE. DOOR TO BE 3/4" THK, DOUBLE WALL CONSTRUCTED
- (1) FIRE RATED DOOR AND FOUR SIDED FRAME, 19" HIGH X 19" WIDE X 1 3/4", TO BE 16 GA. TYPE 304 STAINLESS STEEL, 1 1/2 HOUR RATED, UL "B" LABELED. FIRE DOOR TO BE SUPPLIED WITH STAINLESS STEEL KNOB SET, SPRING LOADED BUTT HINGES AND 8 X 8 WIRE GLASS WINDOW
- DOOR GASKET TO BE NON-PARTICULATING TYPE



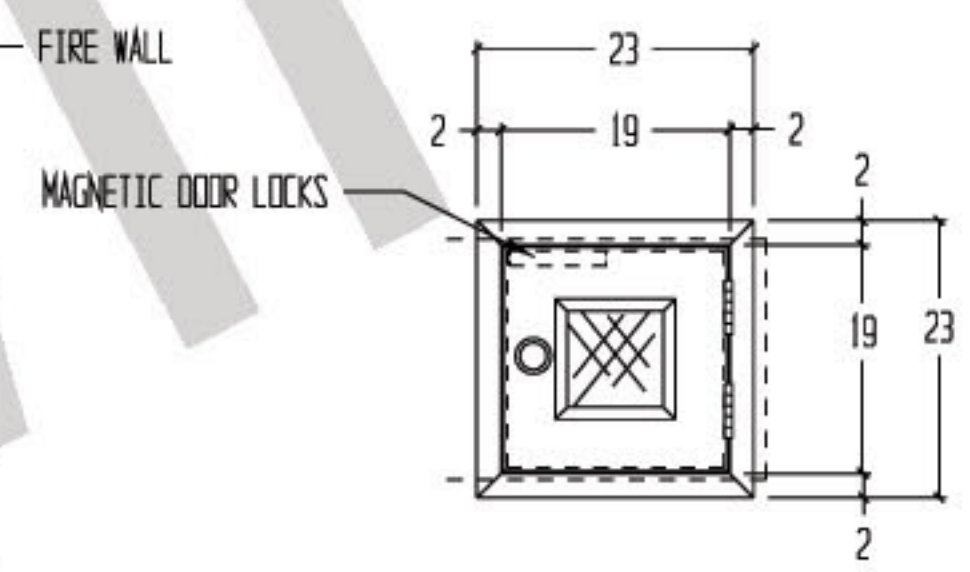
- UNIT TO BE SUPPLIED WITH 2" X 2" X 16 GA. 304 STAINLESS STEEL MOUNTING (TO BE FIELD INSTALLED)
- ROUGH OPENING IN WALL TO BE FIELD DETERMINED
- CUSTOMER MUST STATE FIRE WALL THICKNESS
- UNIT SUPPLIED WITH ELECTRICAL INTERLOCK SYSTEM



REAR VIEW
(FACING NON RATED DOOR)



LEFT SIDE VIEW



FRONT VIEW
(FIRE RATED DOOR)

1 1/2" X 1 1/2" X 16 GA TYPE 304 STAINLESS STEEL SUPPORT FRAME

(1) UNIT REQUIRED, AS SHOWN

DRAWN FOR		HALCO PRODUCTS COMPANY 100 NORTH GORDON ST, ELK GROVE, ILLINOIS 60007			
DRAWN BY		TITLE			
TM		PASS THRU - PT1818-18 SS/FD/EI/SP			
APPROVED BY		SIZE	JOB NO.	QNG NO.	REV
		1/2"=1'-0"		151616180	
		SCALE	DATE	SHEET	
			5-19-10		