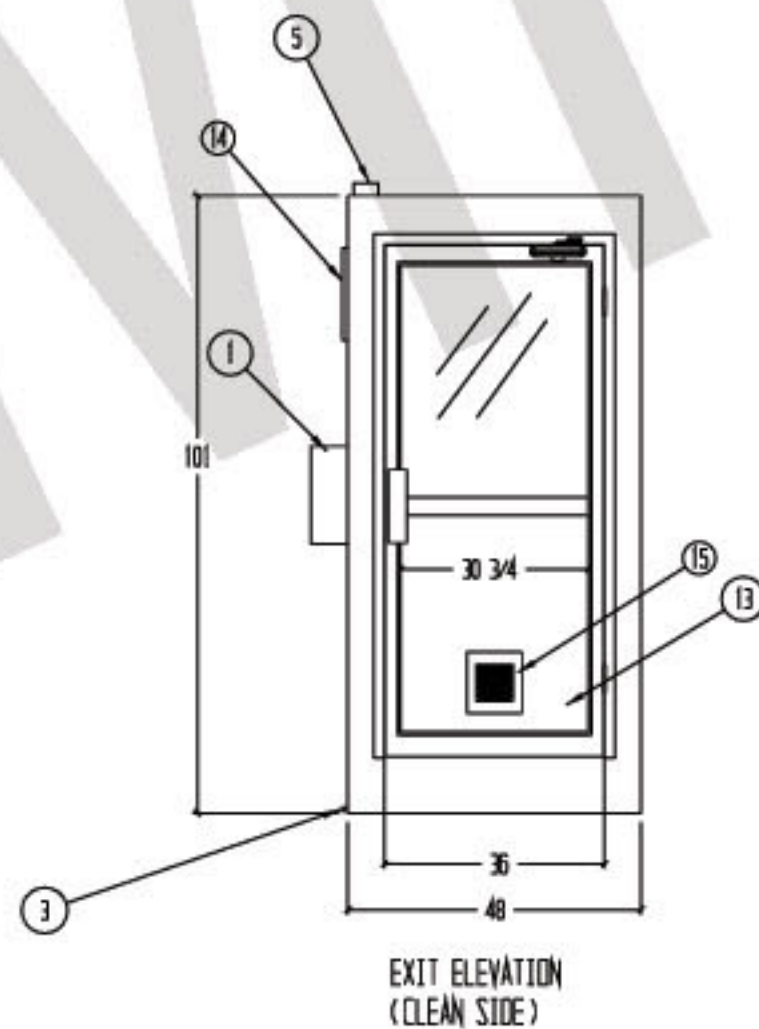
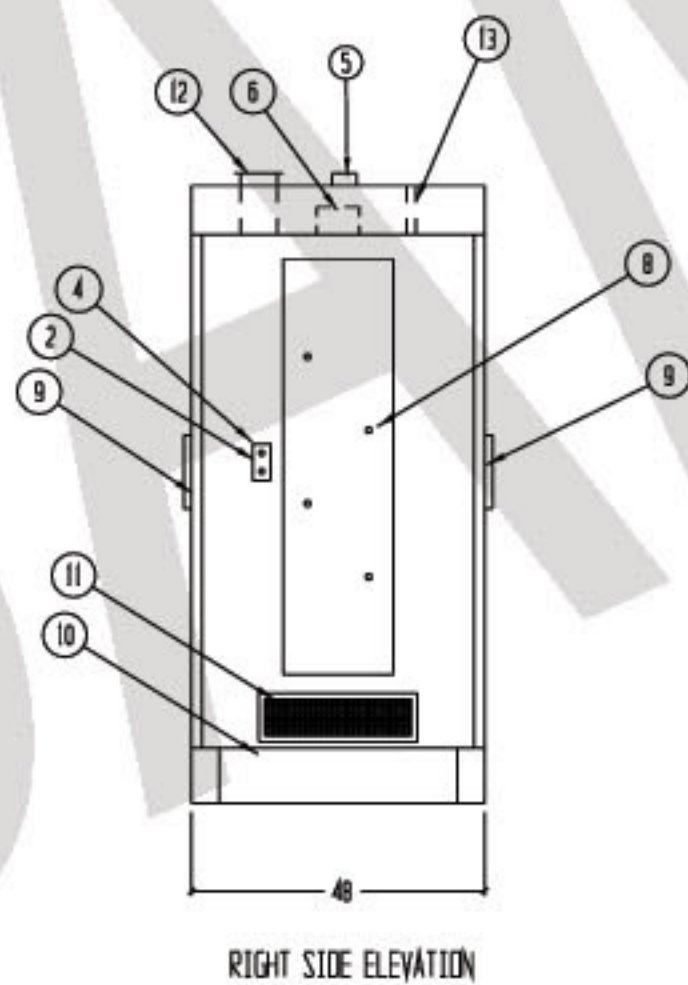
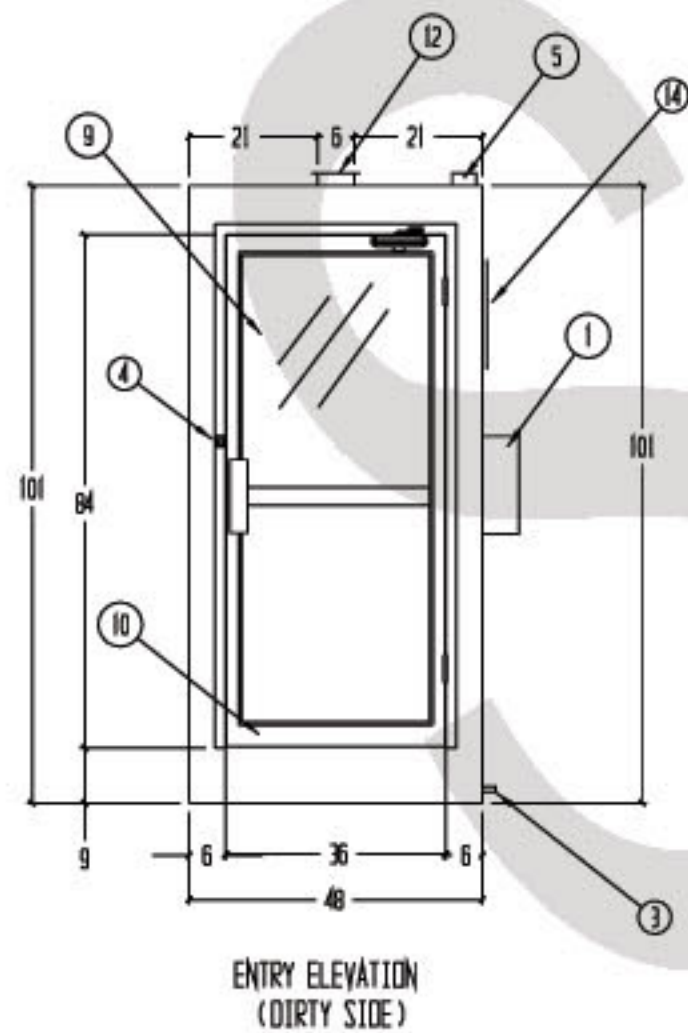
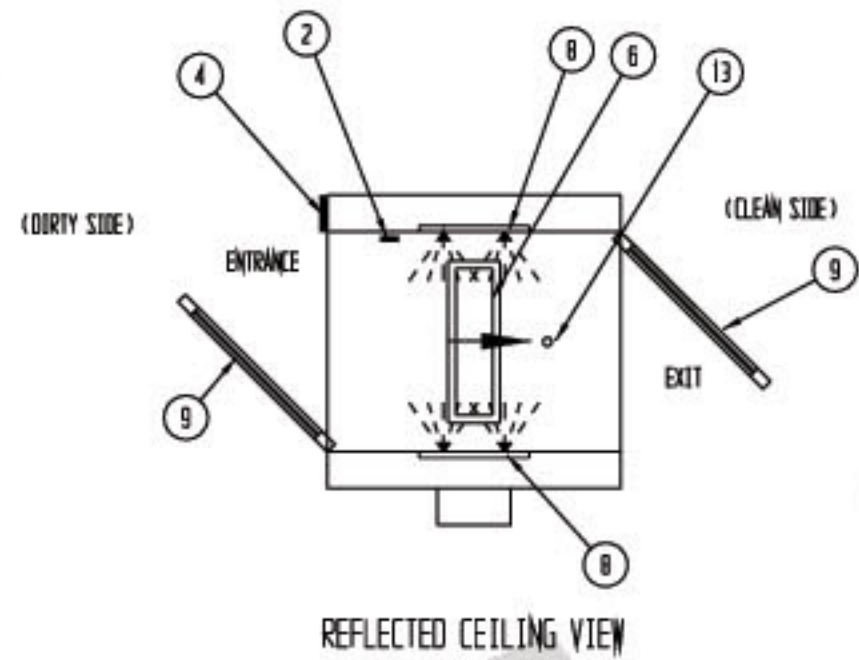
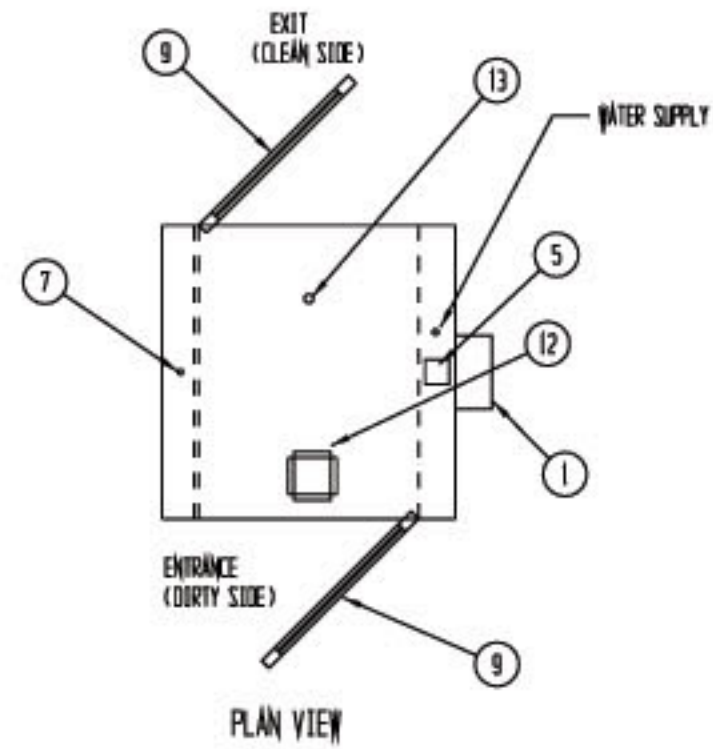


REVISIONS			
KEY	DESCRIPTION	DATE	APPROVED



NOTES:

- EXTERIOR CONSTRUCTION TO BE 16 GA. GALVANNEALED STEEL COATED WITH WHITE EPOXY PAINT
- INTERIOR CONSTRUCTION TO BE 16 GA. TYPE 304 STAINLESS STEEL WITH A #4 FINISH
- ELECTRICAL WIRING TO CONFORM TO LATEST NEC STANDARDS
- CUSTOMER TO SUPPLY A SINGLE SOURCE 115 VOLT/ 1 PHASE/ 60 HZ. ELECTRICAL SERVICE
- CUSTOMER TO SUPPLY FILTERED WATER AT A MINIMUM OF 60 PSI
- UNIT TO BE SHIPPED IN ONE PIECE FOR EASE OF INSTALLATION
- DOORS ARE NOT INTERLOCKED - OPENING DOOR DURING CYCLE WILL STOP CYCLE

- ① PAINTED STEEL NEMA 12 CONTROLS ENCLOSURE
- ② OPERATOR PANEL WITH CYCLE START & EMERGENCY STOP BUTTON
- ③ 1/2 NPT FITTING FOR DRAIN CONNECTION
- ④ EMERGENCY STOP BUTTON (EMO)
- ⑤ ELECTRICAL JUNCTION BOX FOR CUSTOMER CONNECTION
- ⑥ FLUORESCENT LIGHT FIXTURE WITH GASKETED STAINLESS STEEL LENS
- ⑦ 1/2" NPT CUSTOMER WATER CONNECTION
- ⑧ 8 EA. STAINLESS STEEL MISTING NOZZLES CAPABLE OF 2.5 GAL/HR @ 60 PSI ON FLUSH MOUNTED REMOVABLE SERVICE PANEL
- ⑨ ANODIZED ALUMINUM NARROW STYLE DOORS WITH TOP 1/4" SAFETY GLASS GLAZING BOTTOM SOLID ANODIZED ALUMINUM PANEL, PUSH/PULL HARDWARE, SELF CLOSERS
- ⑩ STAINLESS STEEL GRATED FLOOR WITH CONDENSATE PAN BELOW
- ⑪ 24 X 6 STAINLESS STEEL LOW WALL EXHAUST GRILL
- ⑫ 6 X 6 EXHAUST DUCT WITH FLANGE
- ⑬ 1 1/2" ID SEALED SLEEVE FOR SPRINKLER PENETRATION (HEAD & PIPE BY OTHERS)
- ⑭ WATER SOLENOID, WATER FILTER AND WATER VALVE ACCESS
- ⑮ ADJUSTABLE AIR INTAKE GRILL

DRAWN FOR		HALCO PRODUCTS CO. 100 NO. GORDON STREET ELK GROVE, IL. 60007			
		TITLE MISTING SHOWER MODEL# MS337-ST/SS/RF			
DRAWN BY	TM	SIZE	JOB NO.	DRG. NO.	10138388HALCO
APPROVED BY		SCALE	1/2" = 1'-0"	DATE	10/17/05
				SHEET	