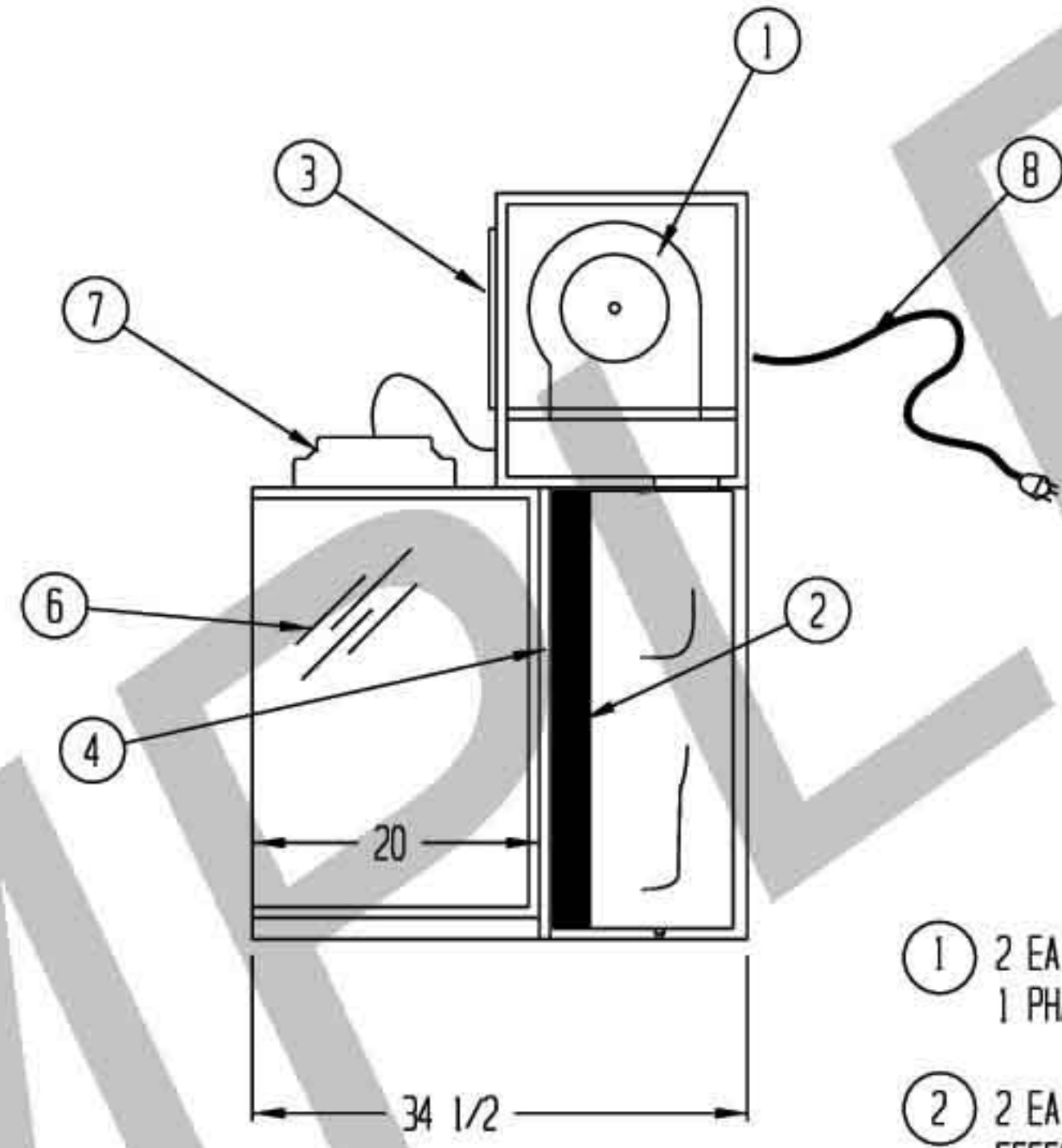
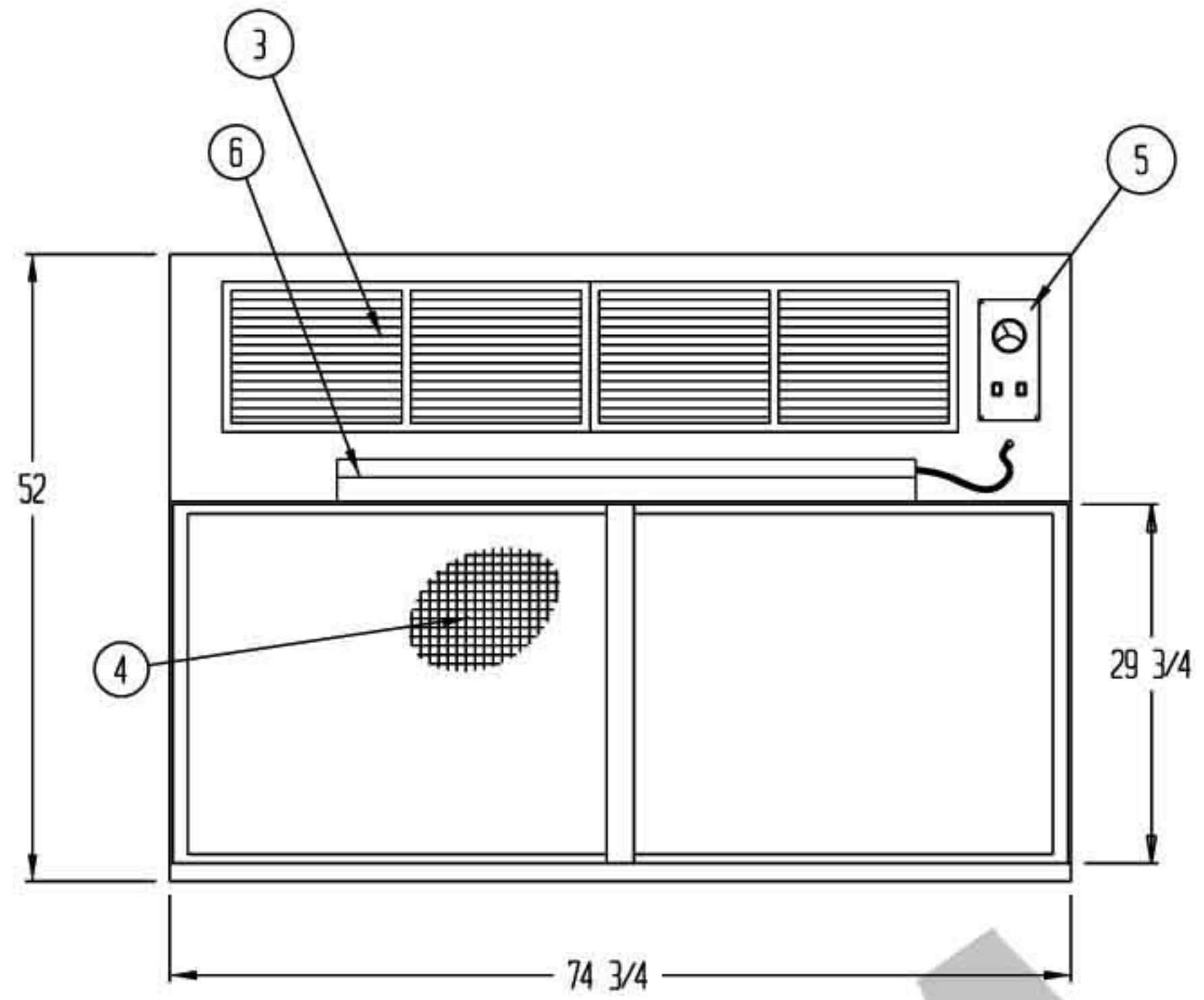


REVISIONS			
REV	DESCRIPTION	DATE	APPROVED



- ① 2 EA. 9-9AT DIRECT DRIVE BLOWER WITH 1/3 H.P. 115 VOLT/ 1 PHASE/60 CYCLE/4.6 AMP MOTOR
- ② 2 EA. 30" X 36" X 3 1/2" HEPA FILTER. 99.99% EFFECTIVE ON PARTICLES OF 0.3 MICRONS AND LARGER
- ③ 2 EA. 30" X 12" X 1" ANODIZED ALUMINUM PRE-FILTER GRILL WITH 35% EFFICIENT DISPOSABLE PRE-FILTER
- ④ ANODIZED ALUMINUM PROTECTIVE HEPA-GRILL
- ⑤ CONTROL PANEL WITH MINIHETIC PRESSURE GAUGE, CONTROL AND LIGHT SWITCH
- ⑥ ACRYLIC WORK AREA ENCLOSURE
- ⑦ FLUORESCENT LIGHT FIXTURE CAPABLE OF PRODUCING 100 F.C.
- ⑧ 8 FT. POWER CORD

NOTES:

- UNIT TO BE CONSTRUCTED OF 3/4" HIGH DENSITY PARTICLE BOARD
- EXTERIOR SURFACES TO BE COVERED WITH 1/16" THK. WHITE HIGH PRESSURE LAMINATE
- ALL OTHER SURFACES TO BE COVERED WITH NON-SHEDDING VINYL
- ELECTRICAL TO MEET LATEST NEC CODES
- UNIT TO MEET FEDERAL STANDARD 209B FOR CLASS 100 DEVICES

DRAWN FOR		<b>HALCO PRODUCTS CO.</b> 100 NO. GORDON STREET ELK GROVE, IL. 60007			
		TITLE EL6302TT HORIZONTAL FLOW			
DRAWN BY	TM	SIZE	JOB NO.	DMG NO.	REV
APPROVED BY		SCALE	1/2" = 1'-0"	DATE	SHEET