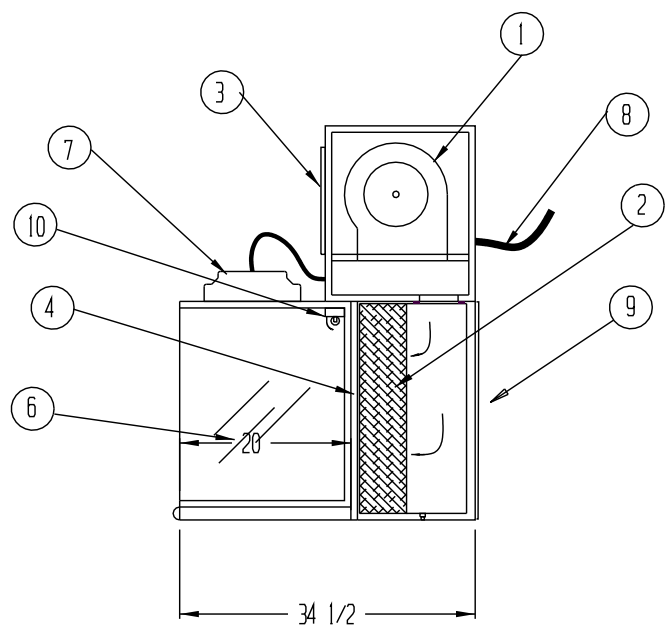
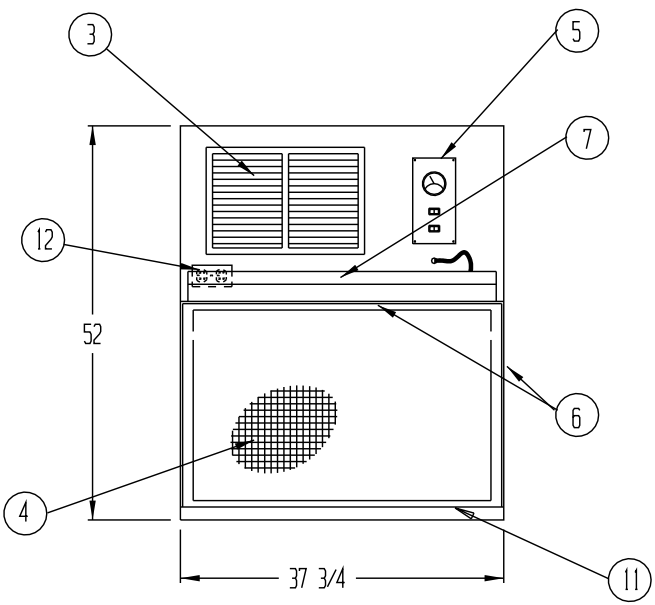


REVISIONS			
REV	DESCRIPTION	DATE	APPROVED



- ① 1 EA. 9-9AT DIRECT DRIVE BLOWER WITH 1/3 H.P. 115 VOLT/ 1 PHASE/60 CYCLE/4.6 AMP MOTOR
- ② 1 EA. 30" X 36" X 3-1/2" ALUM. HEPA FILTER. 99.97% EFFECTIVE ON PARTICLES OF 0.3 MICRONS AND LARGER
- ③ 1 EA. 12" X 24" X 1" ANODIZED ALUMINUM PRE-FILTER GRILL WITH 35% EFFICIENT DISPOSABLE PRE-FILTER
- ④ ANODIZED ALUMINUM PROTECTIVE HEPA-GRILL
- ⑤ CONTROL PANEL WITH MINIHELIC PRESSURE GAUGE, CONTROL AND LIGHT SWITCH
- ⑥ ACRYLIC WORK AREA ENCLOSURE
- ⑦ FLUORESCENT LIGHT FIXTURE CAPABLE OF PRODUCING 100 F.C.
- ⑧ 8 FT. POWER CORD
- ⑨ HEPA FILTER ACCESS PANEL
- ⑩ UV LIGHT FIXTURE
- ⑪ SS WORK SURFACE
- ⑫ DUPLEX RECEPTACLE, 15-AMP

NOTES:

- UNIT TO BE CONSTRUCTED OF 3/4" HIGH DENSITY PARTICLE BOARD
- EXTERIOR SURFACES TO BE COVERED WITH 1/16" THK. WHITE HIGH PRESSURE LAMINATE
- STAINLESS STEEL WORK SURFACE
- ALL OTHER SURFACES TO BE COVERED WITH NON-SHEDDING VINYL
- ELECTRICAL TO MEET LATEST NEC CODES
- UNIT TO MEET FEDERAL STANDARD 209B FOR CLASS 100 DEVICES

DRAWN FOR		HALCO PRODUCTS COMPANY, INC.			
		100 NORTH GORDON STREET		ELK GROVE, IL. 60007-1193	
		TITLE ECONOMY TABLE TOP UNIT MODEL EL3302TT-LV			
DRAWN BY	JGY	SIZE	JOB NO. 9185	DWG NO. 141005380	REV
APPROVED BY	DK	SCALE 1"=1'-0"	DATE 09-09-98	SHEET	