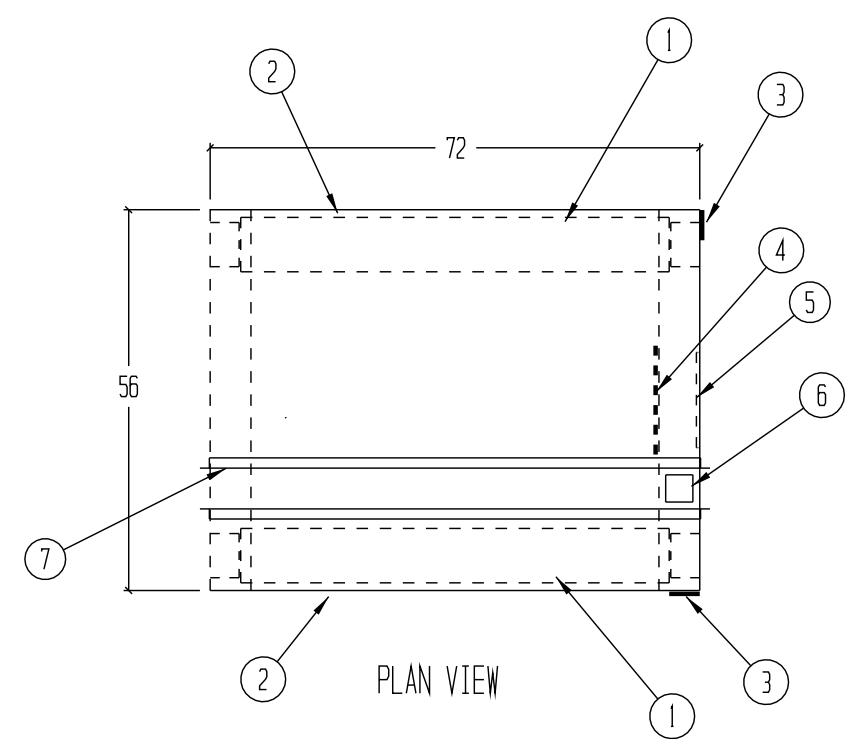
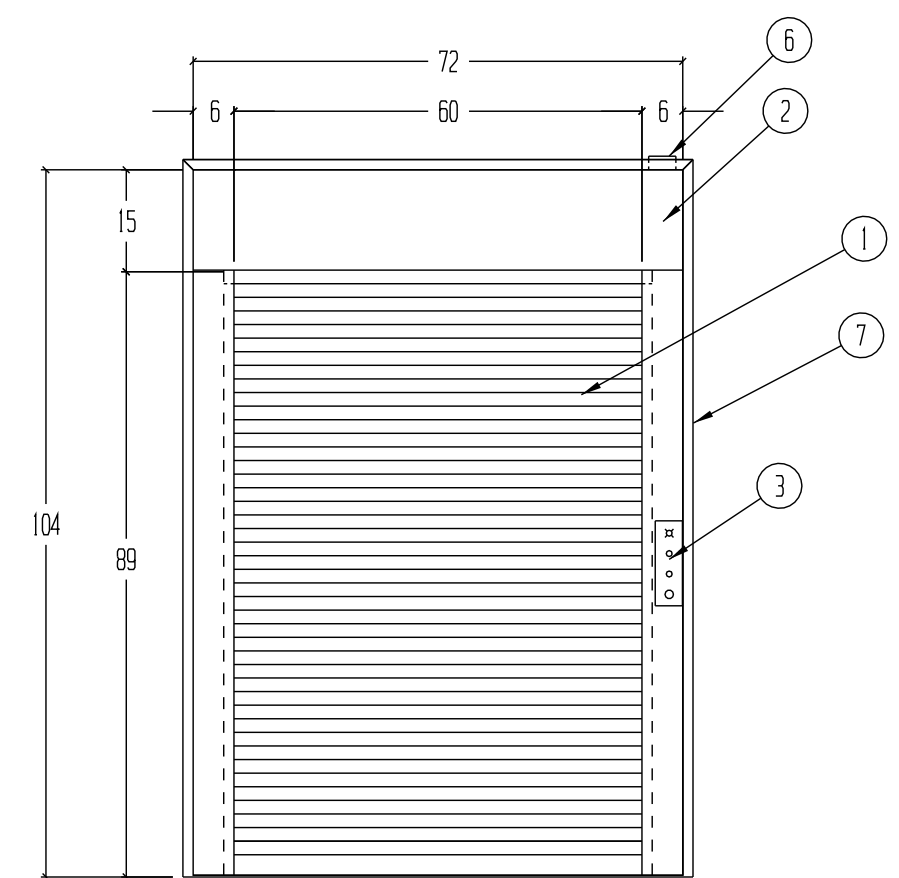


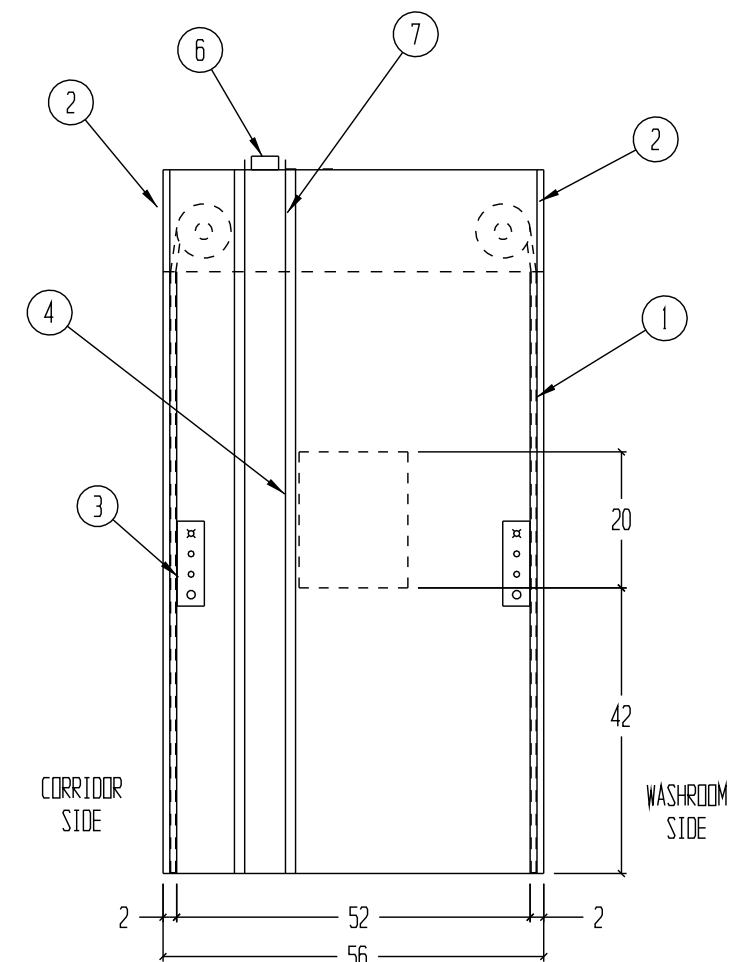
REVISIONS			
REV	DESCRIPTION	DATE	APPROVED



PLAN VIEW



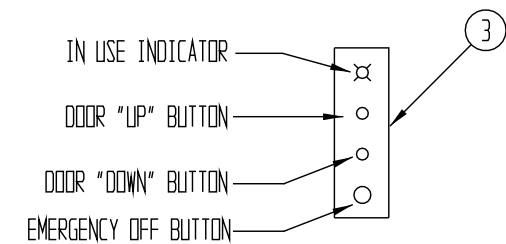
FRONT VIEW



SIDE VIEW

- NOTES:
- UNIT CONSTRUCTED OF 16 GA. TYPE 304 STAINLESS STEEL WITH A #4 FINISH
 - CONSTRUCTION TO BE DOUBLE WALL WITH INWARD TURNED FOLDED FLANGES WHICH ARE BOLTED TOGETHER AND CAULKED FOR A SMOOTH EXTERNAL FINISH
 - ELECTRICAL TO MEET LATEST NEC CODES
 - DOORS PROVIDED WITH AUTO REVERSE FEATURE SO AS NOT TO CLOSE ON PERSONNEL OR PRODUCT.
 - UNIT SHIPPED IN ONE PIECE FOR EASE OF INSTALLATION
 - MAXIMUM DOOR OPENING HEIGHT OF 87"

- ① WHITE POWDER COATED ALUMINUM SLAT ROLL UP DOORS WITH INTEGRAL TUBE TYPE DRIVE MOTOR.
- ② REMOVABLE DOOR SERVICE PANELS
- ③ DOOR CONTROL WITH IN-USE INDICATOR LIGHT, DOOR "UP" BUTTON, DOOR "DOWN" BUTTON AND EMERGENCY OFF BUTTON
- ④ INTERIOR SIDE MOUNTED ELECTRICAL SERVICE PANEL
- ⑤ ELECTRONIC CONTROLS FOR DOOR AND INTERLOCK OPERATION
- ⑥ ELECTRICAL JUNCTION BOX FOR CUSTOMER POWER CONNECTION 115 VOLT, 15 AMP SERVICE REQUIRED
- ⑦ 1 1/4" X 1 1/4" X 16 GA. STAINLESS STEEL MOUNTING TRIM PROVIDED FOR FIELD INSTALLATION.



DRAWN FOR		HALCO PRODUCTS CO. 100 NO. GORDON STREET ELK GROVE, IL. 60007		
		TITLE CPT6087-50/SS/AD/SP		
DRAWN BY DK/JY	SIZE	JOB NO. 11753	DWG NO. 1514642BA	REV A
APPROVED BY	SCALE 3/8"=1"	DATE 8/23/07	SHEET	