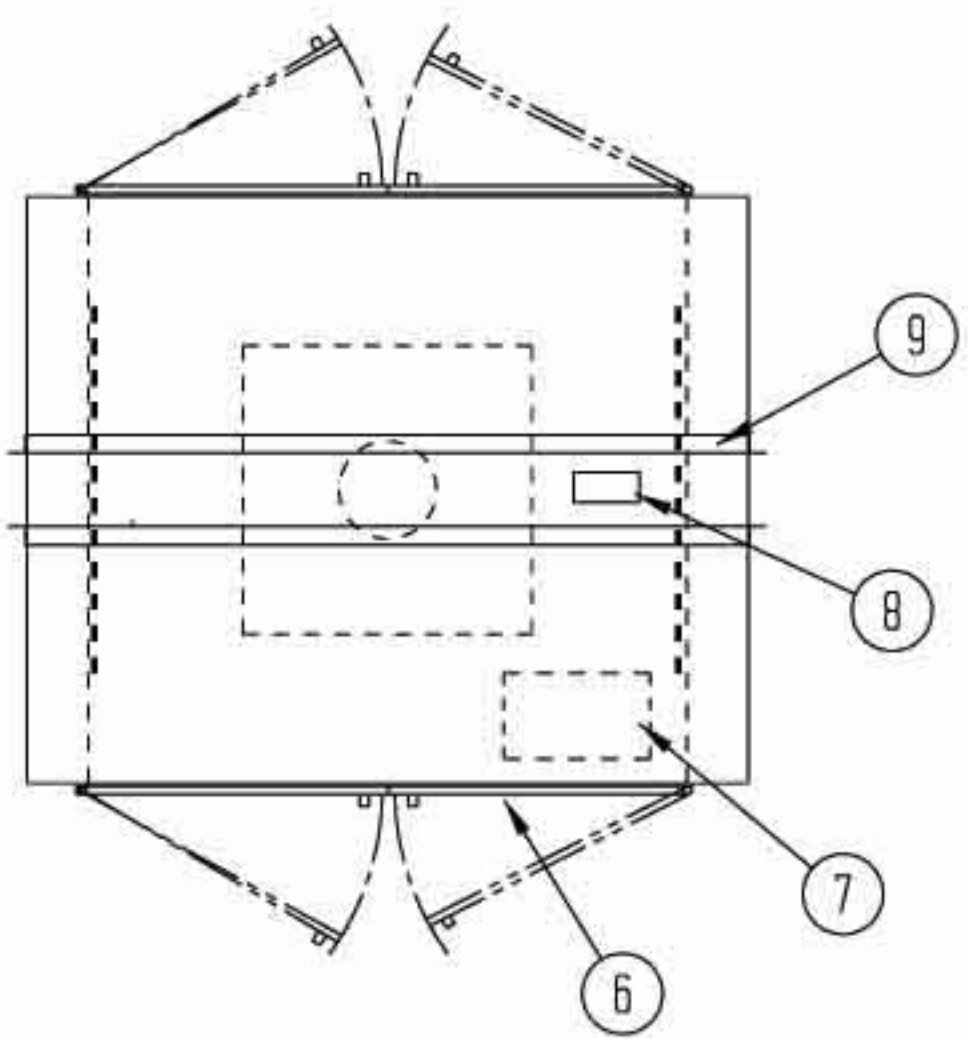
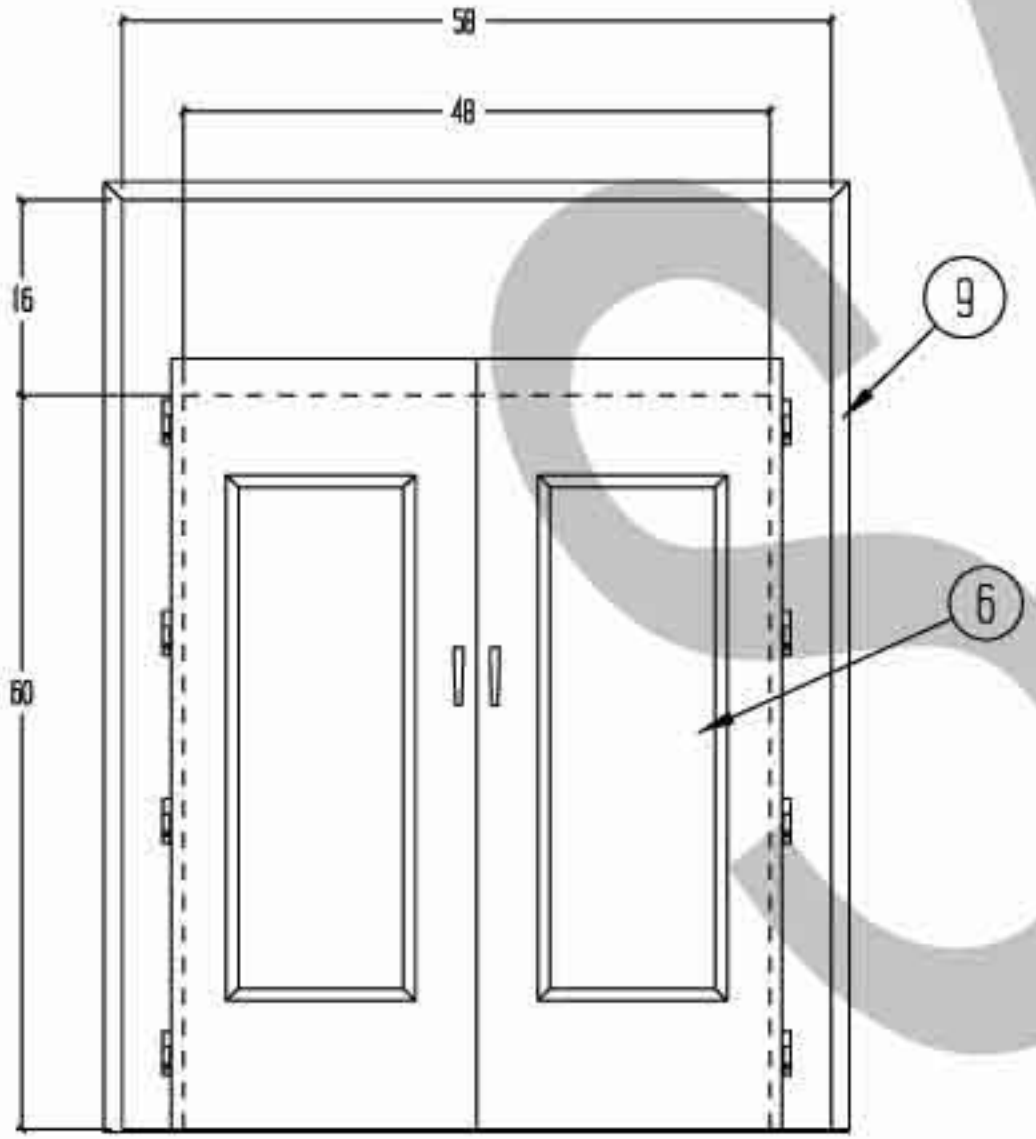


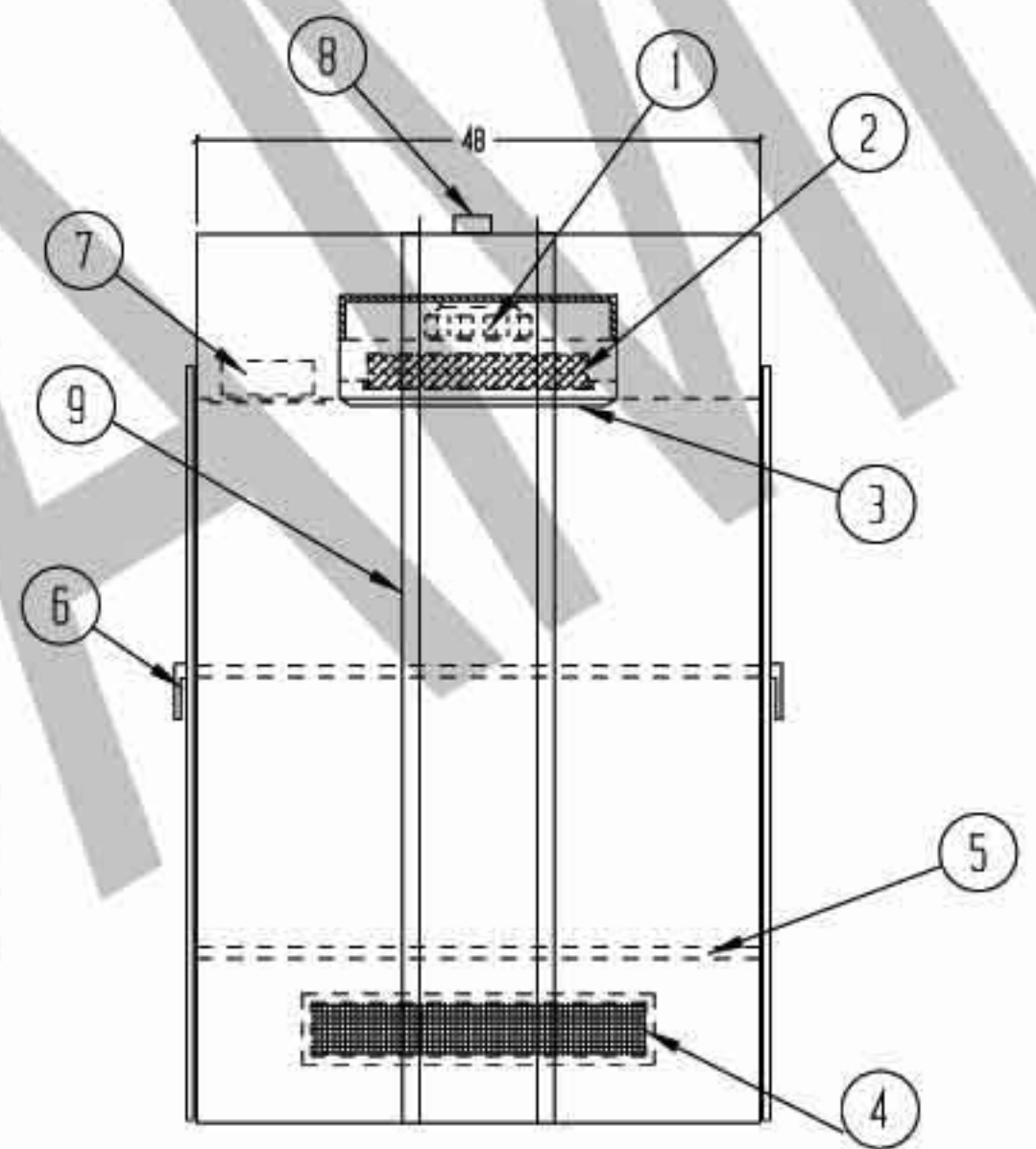
| REVISIONS |  | DATE | APPROVED |
|-----------|--|------|----------|
|           |  |      |          |



PLAN VIEW



FRONT VIEW



SIDE VIEW

NOTES:

- UNIT FABRICATION TO BE DOUBLE WALL, CONSTRUCTION
- UNIT TO BE CONSTRUCTED OF 16 GA. 304 STAINLESS STEEL WITH #4 FINISH.
- DOORS TO BE CONSTRUCTED OF 20 GA. 304 STAINLESS STEEL WITH #4 FINISH
- UNIT TO BE SUPPLIED WITH 1 1/2" X 1 1/2" X 16 GA. 304 STAINLESS STEEL MOUNTING ANGLE (TO BE FIELD INSTALLED)
- UNIT TO HAVE AN ELECTRICAL DOOR INTERLOCK SYSTEM, 120V SUPPLY W/ SOLINOID LOCKS
- UNIT TO HAVE NO FLOOR
- ROUGH OPENING TO BE 1/4" LARGER THAN OUTSIDE DIMENSIONS OF UNIT

- ① 1 EA. R2E220 BACKWARD CURVED IMPELLER BLOWER 115 VOLT, 1 PHASE, 100 WATTS WITH ELECTRONIC SPEED CONTROL
- ② 19 3/4 X 19 3/4 X 3 1/2" GEL SEAL HEPA FILTER 99.99% EFFECTIVE ON PARTICLES OF 0.3 MICRONS IN SIZE
- ③ STAINLESS STEEL PERFORATED HEPA GRILL WITH 40% OPEN AREA
- ④ STAINLESS STEEL LOW WALL RETURN AIR GRILLS
- ⑤ PVC WALL BUMPERS AT 12" & 36" FROM FLOOR
- ⑥ STAINLESS STEEL DOORS WITH BLACK POWDER COATED BULLET HINGES, 1/4-TURN CHROME PLATED LATCHING HANDLES AND 1/4" THICK CLEAR ACRYLIC GLAZING
- ⑦ ELECTRONIC CONTROLS ENCLOSURE WITH CEILING ACCES PLATE
- ⑧ ELECTRICAL JUNCTION BOX FOR CUSTOMER CONNECTION
- ⑨ 1 1/2" X 1 1/2" X 16 GA STAINLESS STEEL FINISHING TRIM

(2) UNIT REQUIRED, AS SHOWN

|                |  |                                 |               |
|----------------|--|---------------------------------|---------------|
| DRAWN BY<br>TM |  | TITLE<br>CPT4860-48/SS/EI/DD/HC |               |
|                |  | SIZE<br>JOB NO. _____           | DATE<br>SHEET |
| APPROVED BY    |  | DATE                            | REV           |

**HALCO PRODUCTS CO.**  
100 NO. GORDON STREET ELK GROVE, IL. 60007