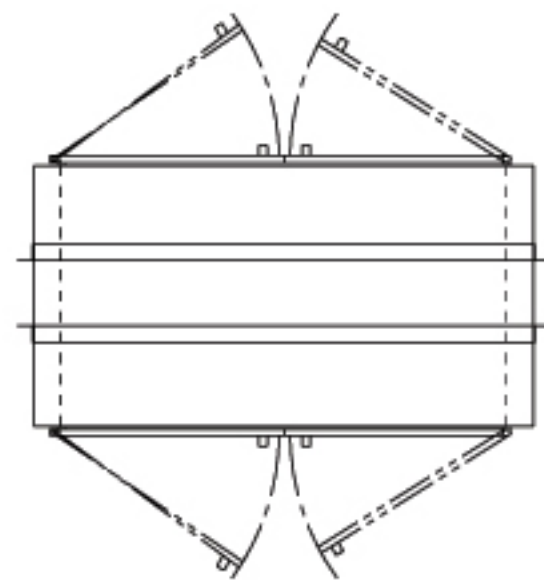
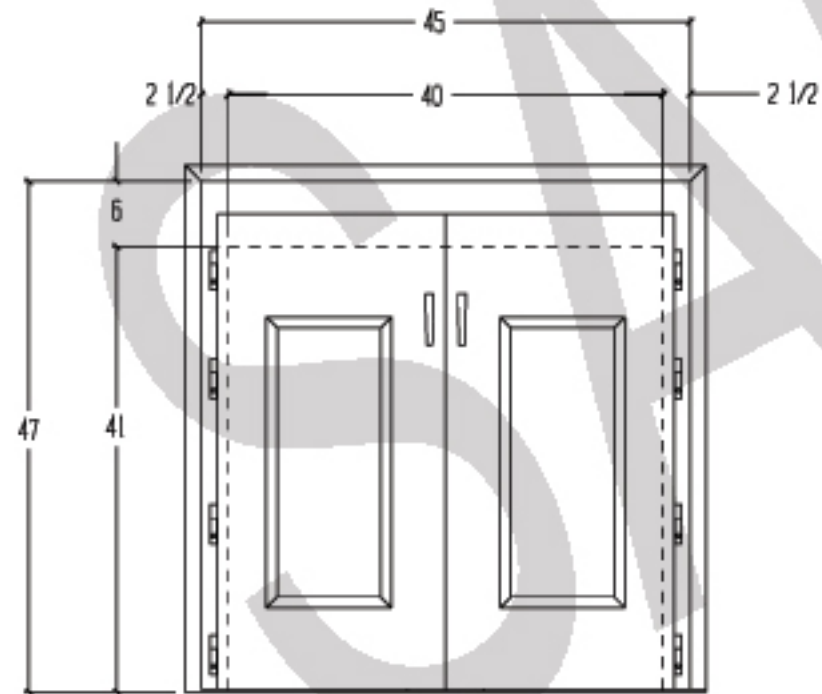


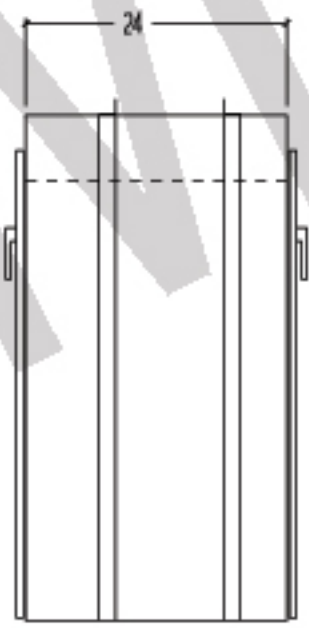
REVISIONS			
REV	DESCRIPTION	DATE	APPROVED



PLAN VIEW



FRONT VIEW



SIDE VIEW

NOTES:

- UNIT FABRICATION TO BE DOUBLE WALL, CONSTRUCTION
- UNIT TO BE CONSTRUCTED OF 16 GA. 304 STAINLESS STEEL WITH #4 FINISH.
- DOORS TO BE CONSTRUCTED OF 20 GA. 304 STAINLESS STEEL WITH 1/4" THK. ACRYLIC WINDOWS, POWDER PAINTED BULLET HINGE, EXTRUDED SANDPRENE GASKET, SS MULLION AND CHROME PULL HANDLES
- UNIT TO BE SUPPLIED WITH 1 1/2" X 1 1/2" X 16 GA. 304 STAINLESS STEEL MOUNTING ANGLE (TO BE FIELD INSTALLED)
- UNIT TO HAVE NO FLOOR, PROVIDED W/ SS ANGLES TO ATTACH WALLS TO THE FLOOR
- UNIT TO HAVE A MECHANICAL DOOR INTERLOCK SYSTEM
- ROUGH OPENING TO BE 1/4" LARGER THAN OUTSIDE DIMENSIONS OF UNIT
- 4 EA STAINLESS STEEL DOOR SWEEPS PROVIDED LOOSE FOR CUSTOMER INSTALLATION

DRAWN FOR		<b>HALCO PRODUCTS CO.</b> 100 NO. GORDON STREET ELK GROVE, IL. 60007		
		TITLE CPT4041-24 SS/DD/MI		
DESIGN BY	TM	SIZE	APP NO. 12467	QTY NO. 151623880
APPROVED BY		SCALE	DATE 7-2-10	SHEET