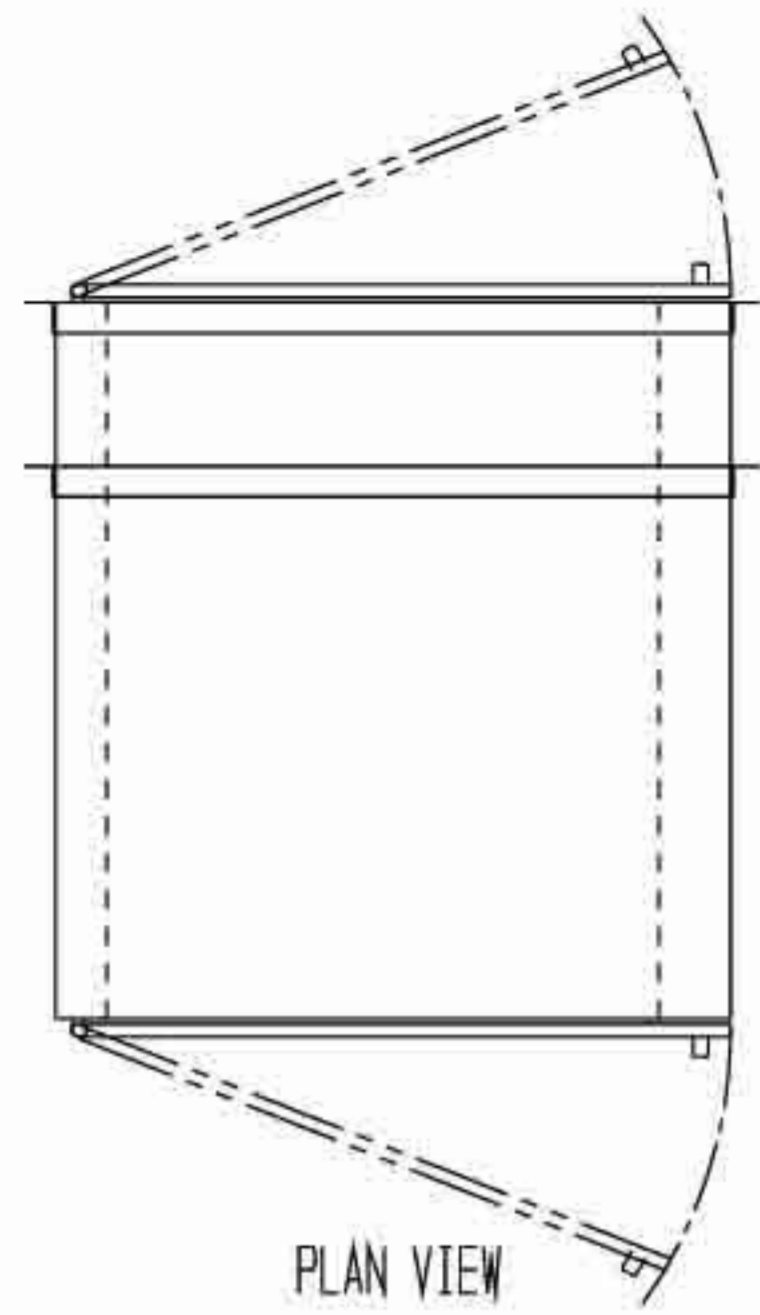
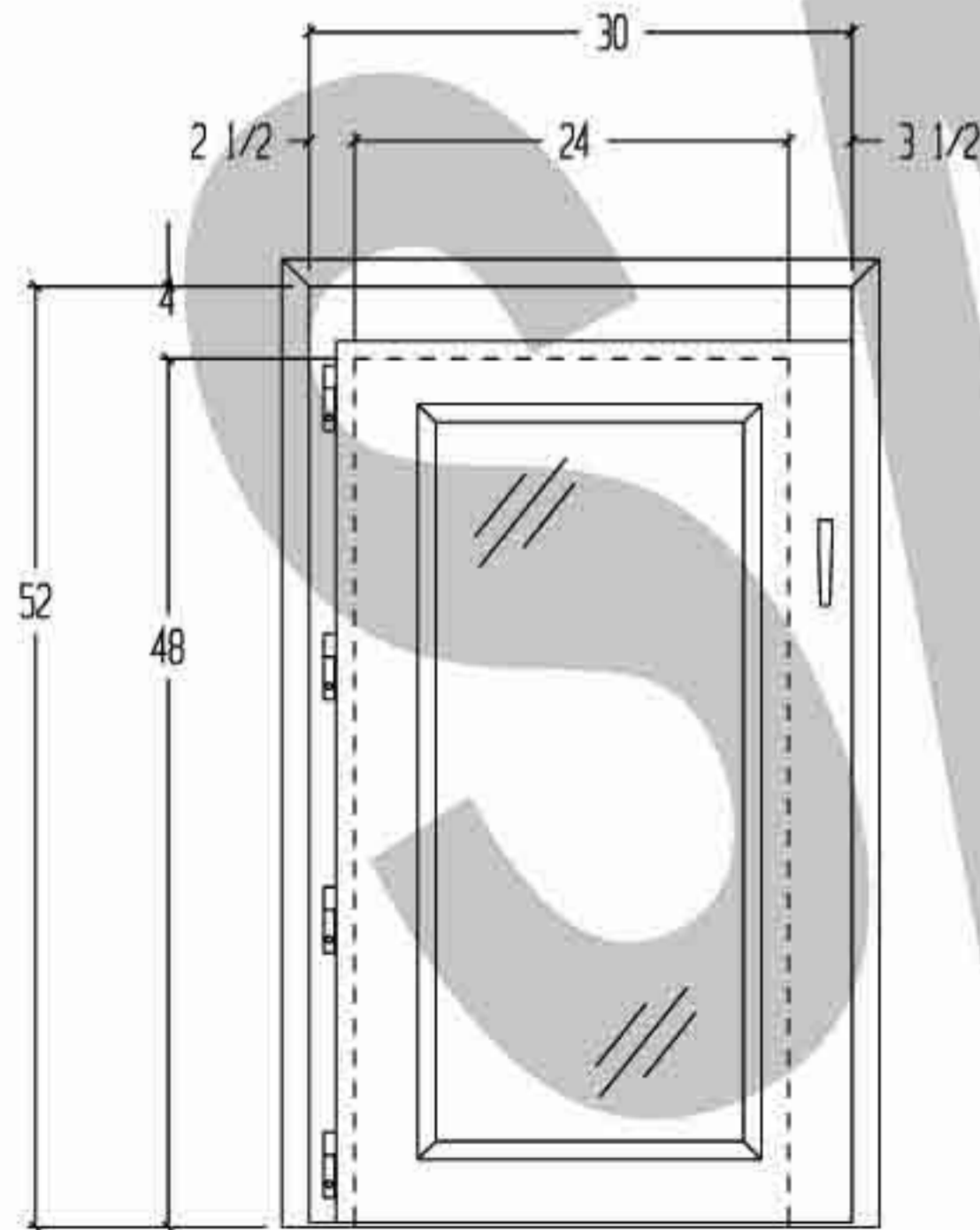


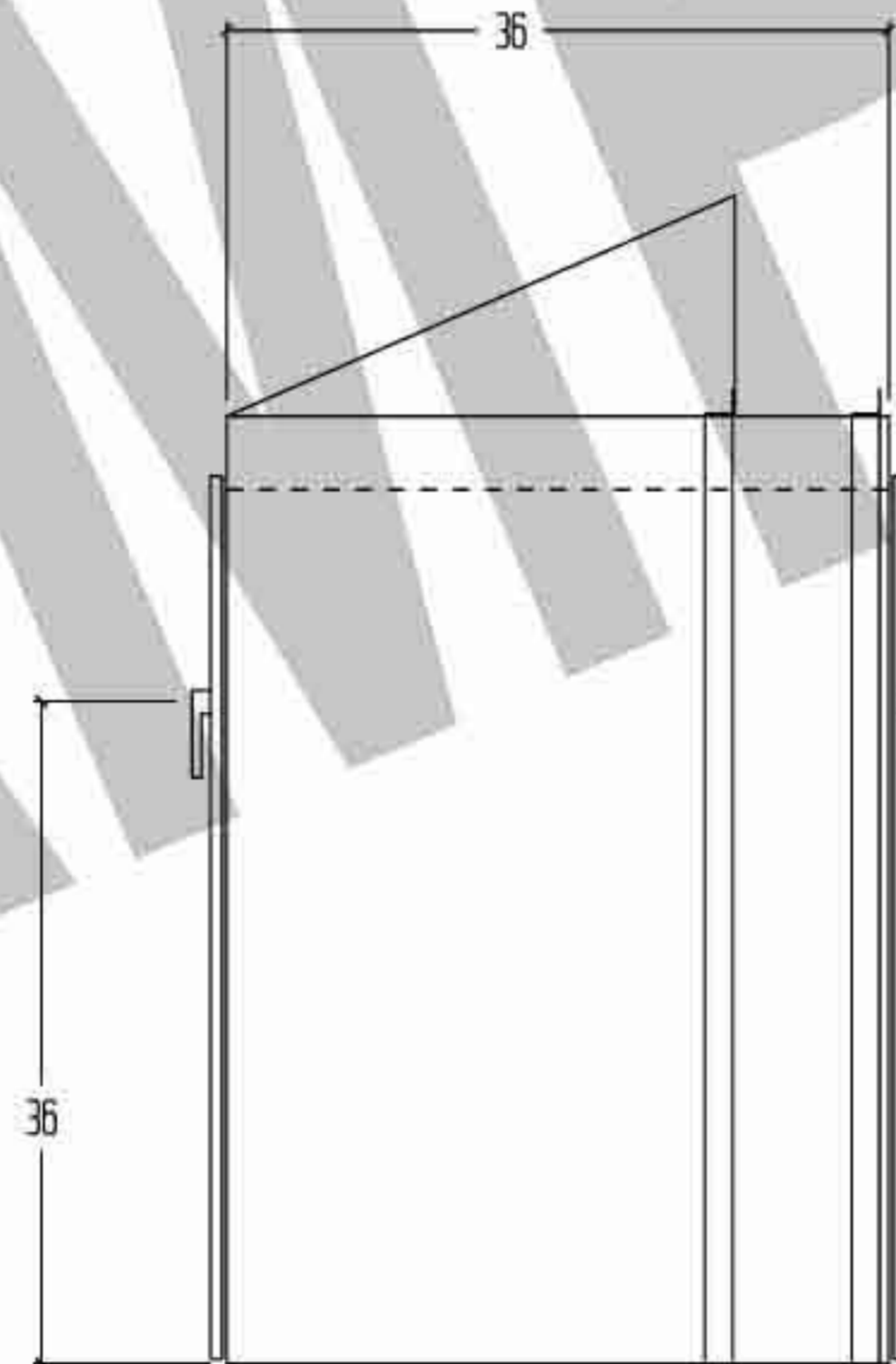
REVISIONS			
REV	DESCRIPTION	DATE	APPROVED



PLAN VIEW



FRONT VIEW



SIDE VIEW

NOTES:

- UNIT FABRICATION TO BE DOUBLE WALL, CONSTRUCTION
- UNIT TO BE CONSTRUCTED OF 16 GA. 304 STAINLESS STEEL WITH #4 FINISH.
- DOORS TO BE CONSTRUCTED OF 20 GA. 304 STAINLESS STEEL WITH 1/4" THK. ACRYLIC WINDOWS, BULLET HINGE AND QUARTER TURN HANDLES
- UNIT TO BE SUPPLIED WITH NO FLOOR
- UNIT TO BE SUPPLIED WITH 1 1/2" X 1 1/2" X 16 GA. 304 STAINLESS STEEL MOUNTING ANGLE (TO BE FIELD INSTALLED)
- UNIT TO HAVE A MECHANICAL DOOR INTERLOCK SYSTEM
- ROUGH OPENING TO BE 1/4" LARGER THAN OUTSIDE DIMENSIONS OF UNIT
- UNIT SUPPLIED W/ SLOPPED TOP, DIMENSIONS TO BE FIELD MEASURED
- UNIT SUPPLIED W/ 16 GA SS ANGLES TO ATTACH INTERIOR WALL TO THE FLOOR

(1) UNIT REQUIRED, AS SHOWN

DRAWN FOR		<b>HALCO PRODUCTS CO.</b> 100 NO. GORDON STREET ELK GROVE, IL. 60007			
		TITLE CPT2448-36 MI/SS			
DRAWN BY	TM	SIZE	JOB NO.	DWG NO.	REV
APPROVED BY		SCALE	3/4"=1'-0"	DATE	1-17-05 SHEET