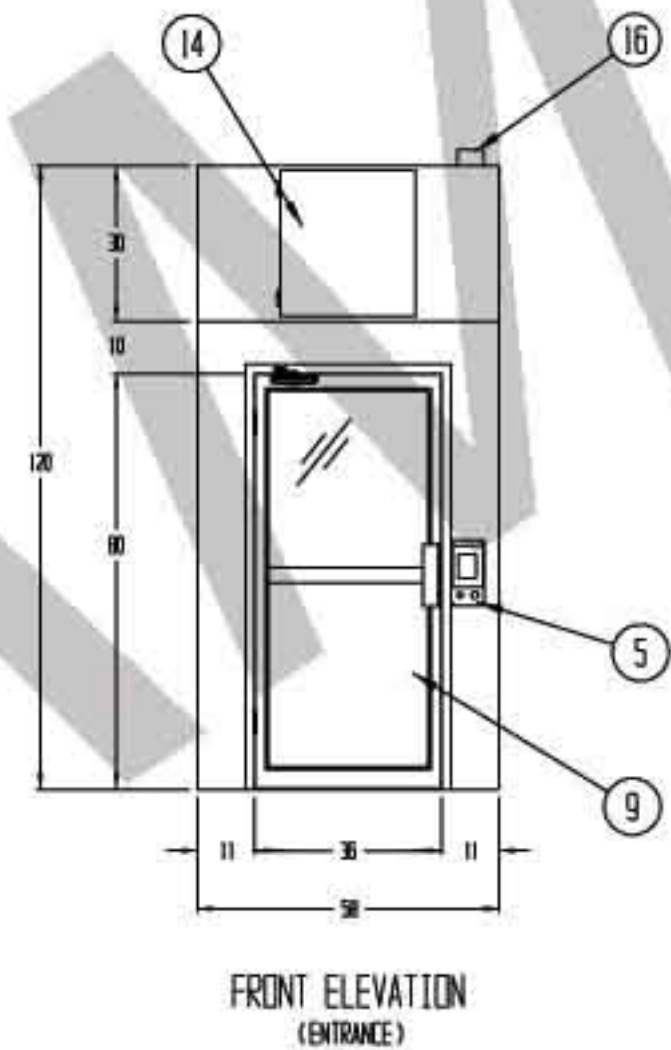
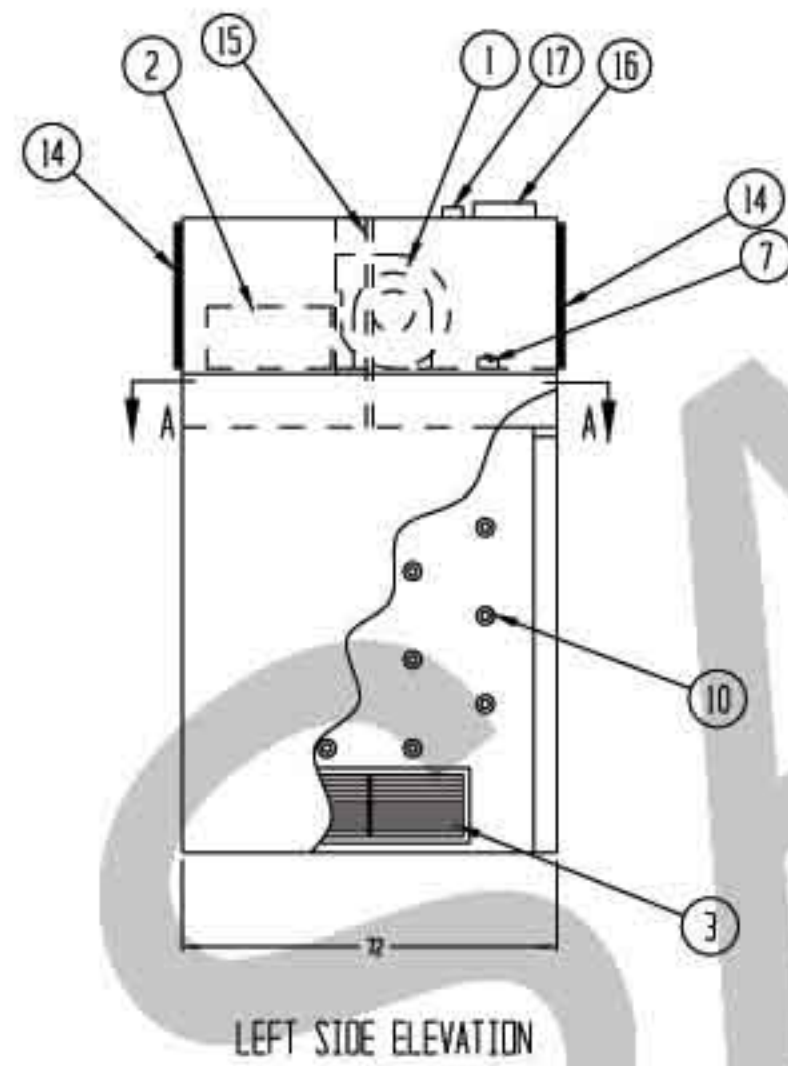
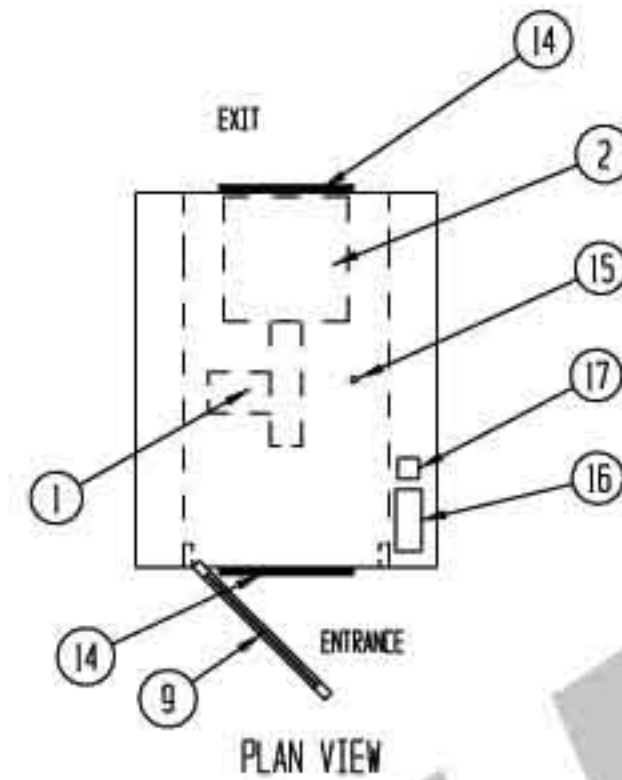
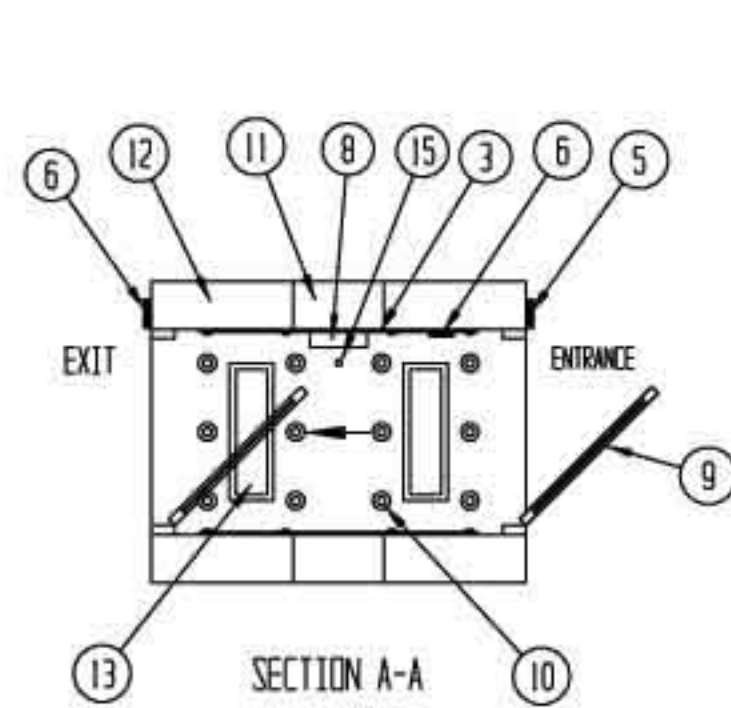
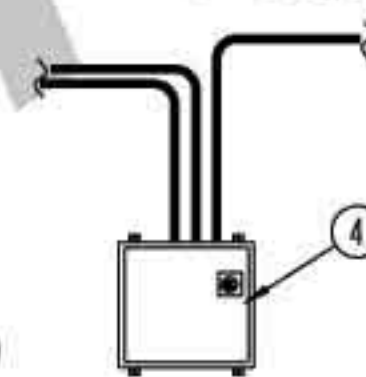


REV	DESCRIPTION	DATE	PERSONNEL
A	AS BUILT	5/24/2006	



**IMPORTANT  
CUSTOMER TO CONFIRM:**

- DOOR SIZES AND DIRECTION OF SWING
- ENTRANCE AND EXIT SIDES AND DIRECTION OF OPERATION
- SERVICE ACCESS PANEL LOCATION
- AVAILABILITY OF ELECTRICAL SERVICE REQUIRED
- ELECTRICAL SERVICE CONNECTION POINT
- OVERALL SIZE OF UNIT OR SECTIONS
- CLEAR DOOR OPENINGS OF NO LESS THAN 60" WIDE FROM UNLOADING SITE TO INSTALLATION SITE



5 UNITS REQUIRED, AS SHOWN  
TAG: (AS-1) PRIME/TC1 BC SOUTH ENTRANCE  
TAG: (AS-2) TC1 BC/TC2 BC SOUTH ENTRANCE  
TAG: (AS-3) TC2 BC/TC3 BC SOUTH ENTRANCE  
TAG: (AS-4) TC1 CC/TC2 CC NORTH ENTRANCE  
TAG: (AS-5) TC2 CC/TC3 CC NORTH ENTRANCE

**NOTES:**

- CONSTRUCTION TO BE 16 GA. ALUMINIZED STEEL (UNFINISHED)
- ELECTRICAL WIRING TO CONFORM TO LATEST NEC & CSA STANDARDS
- CUSTOMER TO SUPPLY A SINGLE SOURCE 480 VOLT/3 PH, 60 HZ, ELECTRICAL SERVICE AND NEUTRAL
- UNIT TO MEET OR EXCEED ISO STANDARD 14644-1 AND FEDERAL STANDARD 209E FOR CLASS 100 DEVICES
- UNIT TO BE SHIPPED IN TWO PIECES (1 BASE SECTION AND 1 BLOWER/FILTER SECTION)

- 1 EA. DIRECT DRIVE BLOWER WITH A 5 H.P., 480V/3PH/60HZ 182T U-FRAME MOTOR CAPABLE OF PRODUCING 2000 CFM AT 4" S.P.
- 1 EA. 24 X 24 X 11 1/2 HEPA FILTER. 99.98% EFFICIENT ON PARTICLES OF 0.3 MICRONS
- 2 EA. 36 X 12 X 1" ANODIZED ALUMINUM PRE-FILTER GRILLES WITH 35% EFFICIENT DISPOSABLE PRE-FILTERS
- REMOTE NEMA 12 CONTROLS ENCLOSURE 24 X 24 X 8 WITH DOOR MOUNTED CIRCUIT BREAKER DISCONNECT
- PLC CONTROL PANEL WITH TOUCH SCREEN DISPLAY, EMERGENCY STOP BUTTON AND AUDIBLE/VISUAL ALARM
- 2 E.A EMERGENCY STOP BUTTONS
- LOCAL MOTOR DISCONNECT SWITCH
- ACTIVE INFRARED PRESENCE SENSOR
- ANODIZED ALUMINUM NARROW STYLE DOORS WITH SOLID BOTTOM PANEL & 1/4" THK CLEAR ACRYLIC TOP PANEL
- 40 EA. HIGH VELOCITY ADJUSTABLE AIR NOZZLES
- RETURN AIR DUCTS
- SUPPLY AIR DUCTS
- 2 EA. FLUORESCENT LIGHT FIXTURE, CAPABLE OF PRODUCING 60 FC AT 40" AFF
- HINGED ACCESS PANELS
- SEALED SLEEVE FOR SPRINKLER PIPE THROUGH TOP OF UNIT
- TERMINAL BOX FOR CUSTOMER CONNECTION TO REMOTE CONTROLS ENCLOSURE
- JUNCTION BOX FOR MOTOR CONNECTION TO REMOTE CONTROLS ENCLOSURE

		<b>HALCO PRODUCTS COMPANY</b>	
		100 NORTH GEORGIN STREET, ELK GROVE, IL 60007-1193	
		TITLE AIR SHOWER - AS467-PLC/NF/AL-ST/SP	
DRAWN BY	DK/JY	SIZE	A3
APPROVED BY		DATE	4/14/06
		SHEET	1