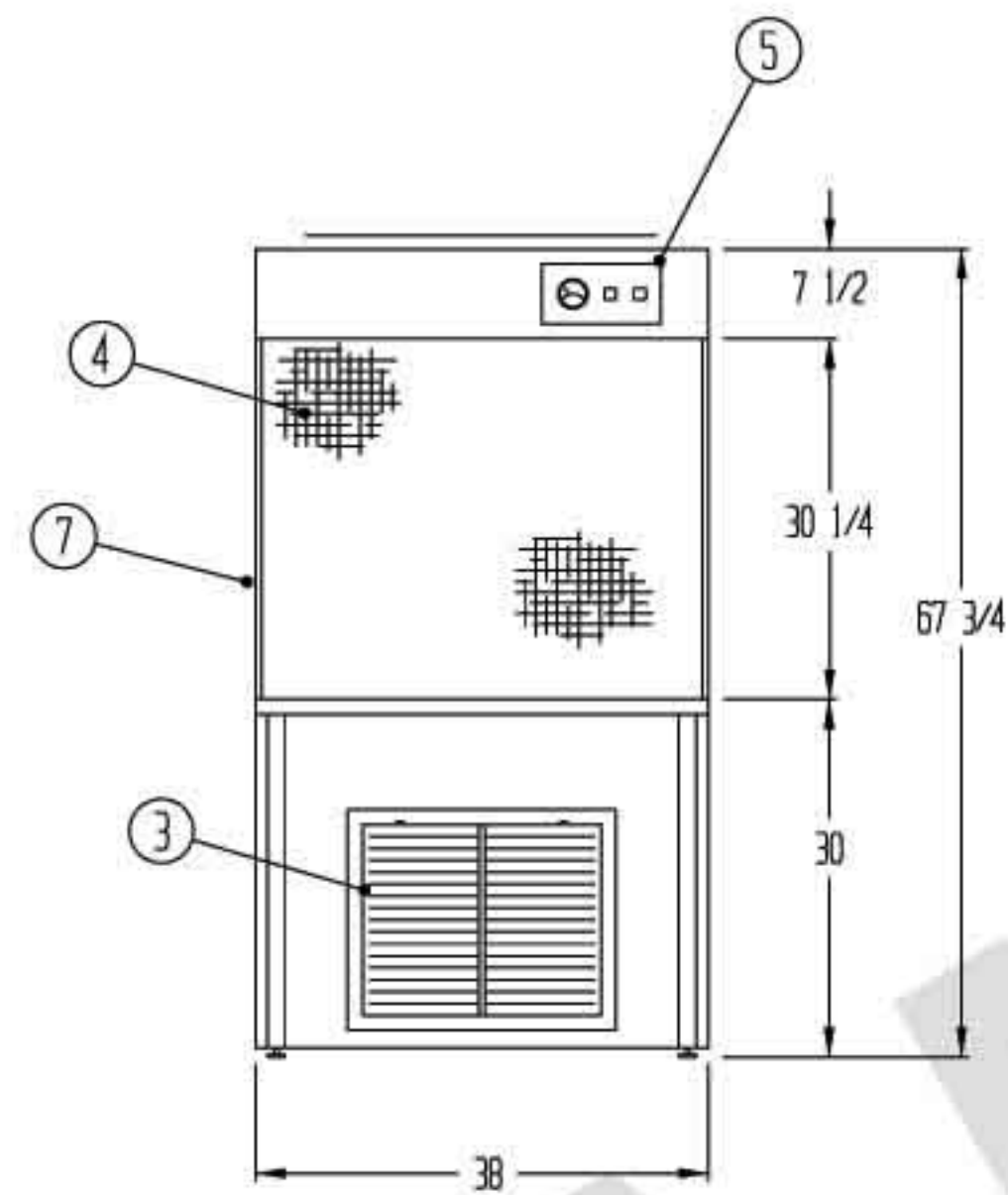
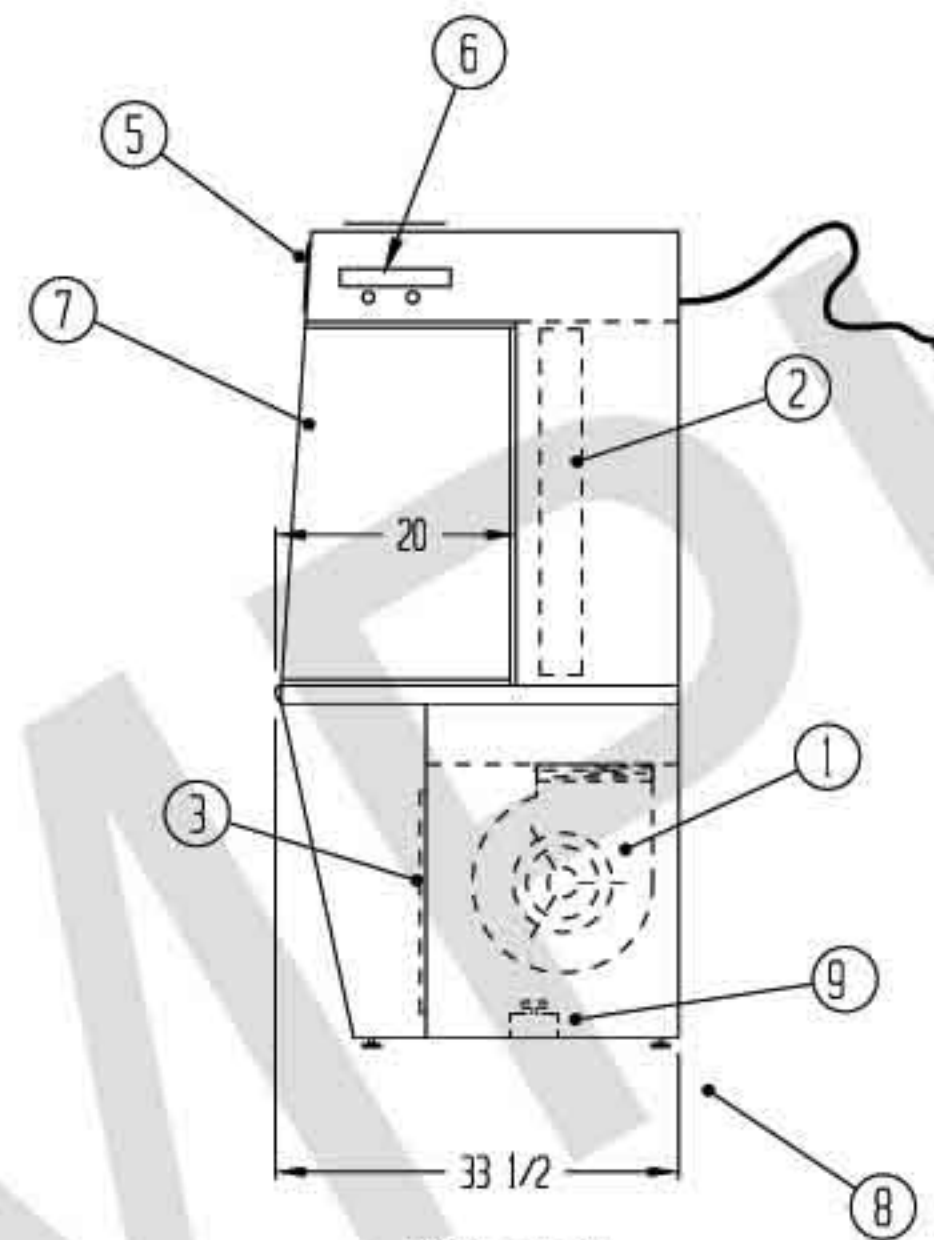


REVISIONS			
REV	DESCRIPTION	DATE	APPROVED



FRONT VIEW



SIDE VIEW

LEGEND

- ① 1 EA. 009-9AT, DIRECT DRIVE MOTOR/BLOWER, 1/3 HP., 115 V, 60 Hz, 4.6 FLA
- ② 1 EA. 30" X 36" X 3 1/2" HEPA FILTER 99.99% EFFICIENT ON PARTICLES 0.3 MICRONS AND LARGER
- ③ 1 EA. 20" X 16" X 1" ANODIZED ALUMINUM PRE-FILTER GRILLE WITH 35% EFFICIENT DISPOSABLE PRE-FILTER
- ④ REMOVABLE PERFORATED ANODIZED ALUMINUM HEPA FILTER PROTECTIVE SCREEN WITH 1/8" DIA. HOLES, 40% OPEN AREA
- ⑤ CONTROL PANEL WITH MINIHCLIC GAUGE, CONTROL SWITCHES AND INDICATOR LIGHTS
- ⑥ FLUSH MOUNTED LIGHT FIXTURE WITH TOP ACCESS
- ⑦ 1/4" THK. CLEAR ACRYLIC SIDE PANELS
- ⑧ LEG LEVELERS
- ⑨ ELECTRONIC SPEED CONTROL

NOTE

- UNIT TO BE CONSTRUCTED OF 3/4" THK. HIGH DENSITY PARTICLE BOARD
- EXTERIOR SURFACES TO BE LAMINATED WITH 1/16" THK. HIGH PRESSURE WHITE LAMINATE
- INTERIOR WORK SURFACES TO BE LAMINATED WITH 1/16" THK. HIGH PRESSURE WHITE LAMINATE
- ELECTRICAL TO CONFORM TO LATEST NEC STANDARDS
- UNIT TO MEET OR EXCEED ISO STANDARD 14644-1
- ELECTRICAL REQUIREMENTS: 120V/ 60HZ/ 6.6.FLA

DRAWN FOR		HALCO PRODUCTS CO.			
		100 NO. GORDON STREET ELK GROVE, IL. 60007			
		TITLE HORIZONTAL WORK STATION AC3302			
DRAWN BY	DK	SIZE	JOB NO.	QNG NO.	1415710B0
APPROVED BY		SCALE	1/2"=1'-0"	DATE	6-25-09
				SHEET	