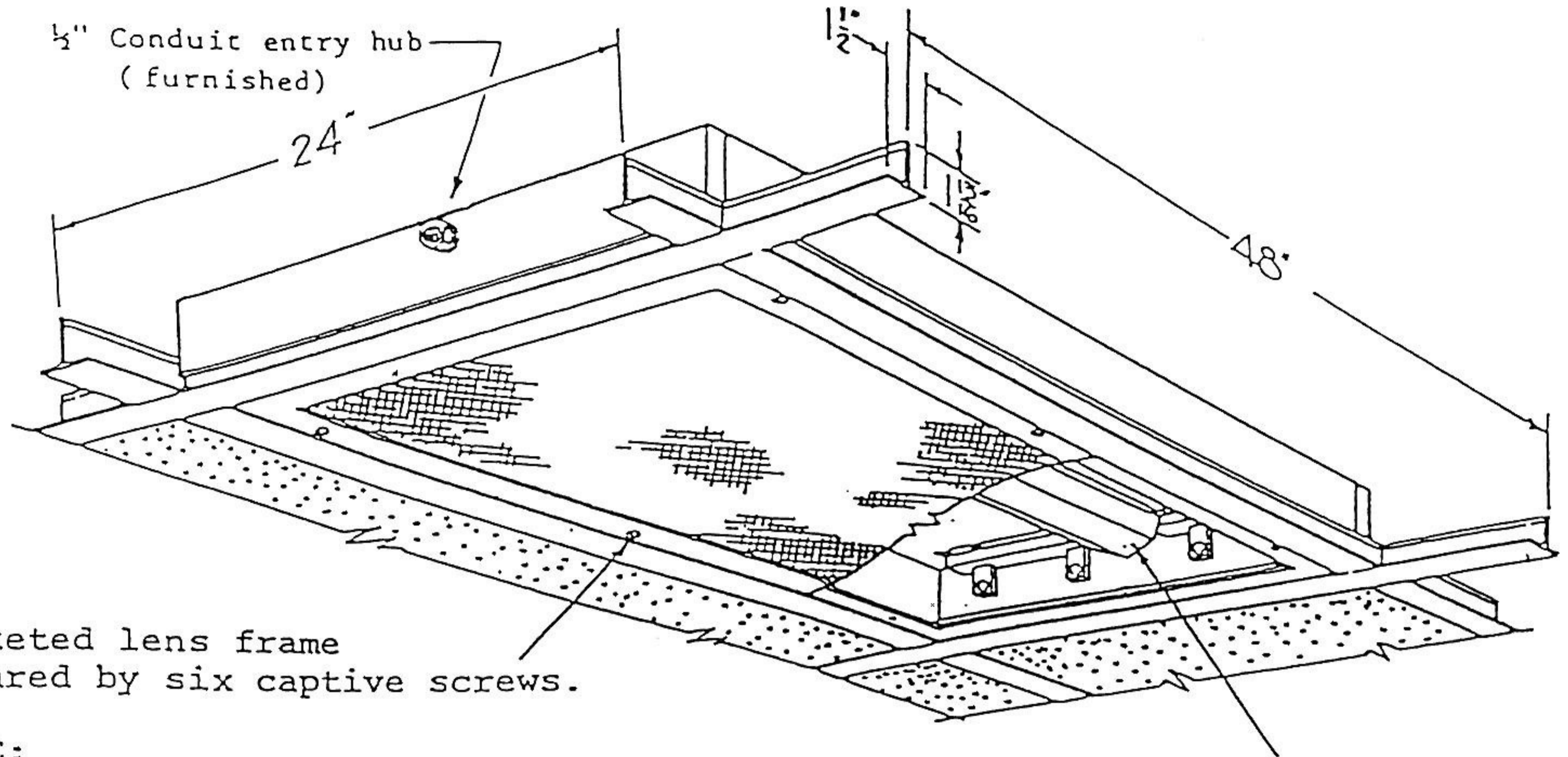


INSTALLATION INFORMATION

CLEAN ROOM & HAZARDOUS LOCATION TROFFER

Designed to lay in grid Tee ceiling system 24" x 48" cts.
maximum grid Tee size $1\frac{1}{2}$ " wide x $1\frac{13}{16}$ " high.



Gasketed lens frame
secured by six captive screws.

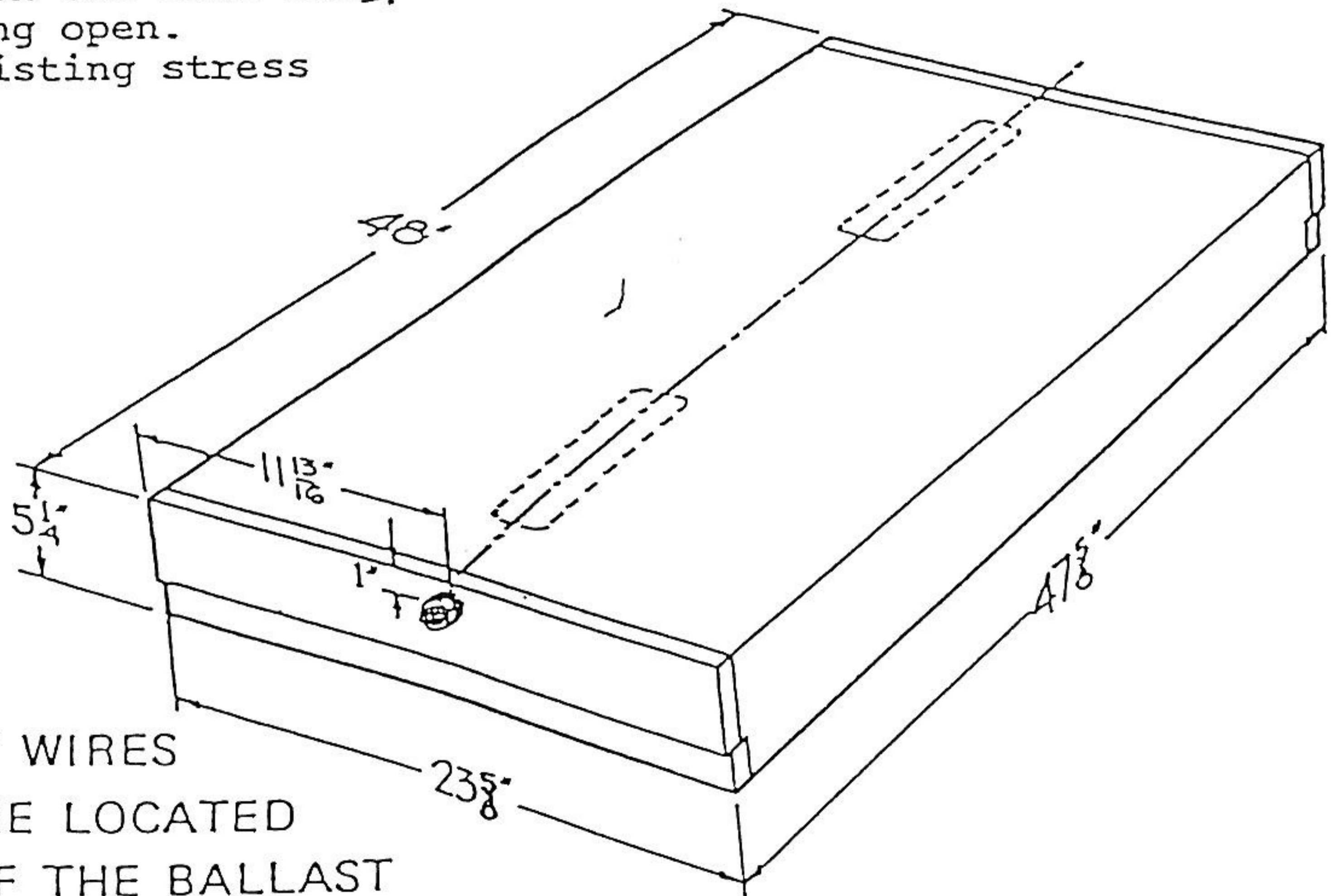
NOTE:

When removing screws hold lens frame
up until all screws are removed.

Ballast/wire way cover snaps in place
To remove depress sides at each end
to disengage.

EXAMPLE:

Do not remove screws on one side only,
and allow frame to hang open.
This would cause a twisting stress
on frame assembly.



IF BUILDING SUPPLY WIRES
OR POWER CORD ARE LOCATED
WITHIN 3 INCHES OF THE BALLAST
USE WIRES SUITABLE FOR AT LEAST 90° C.