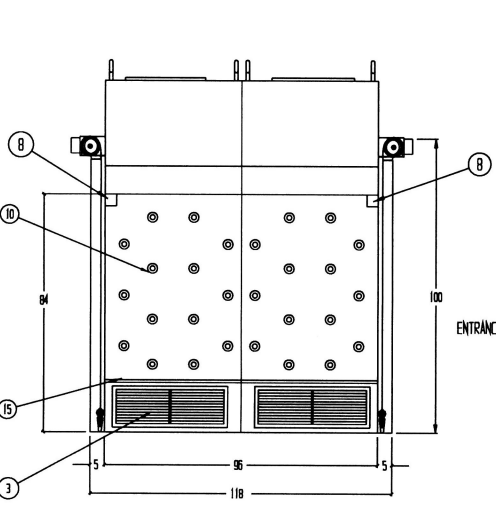
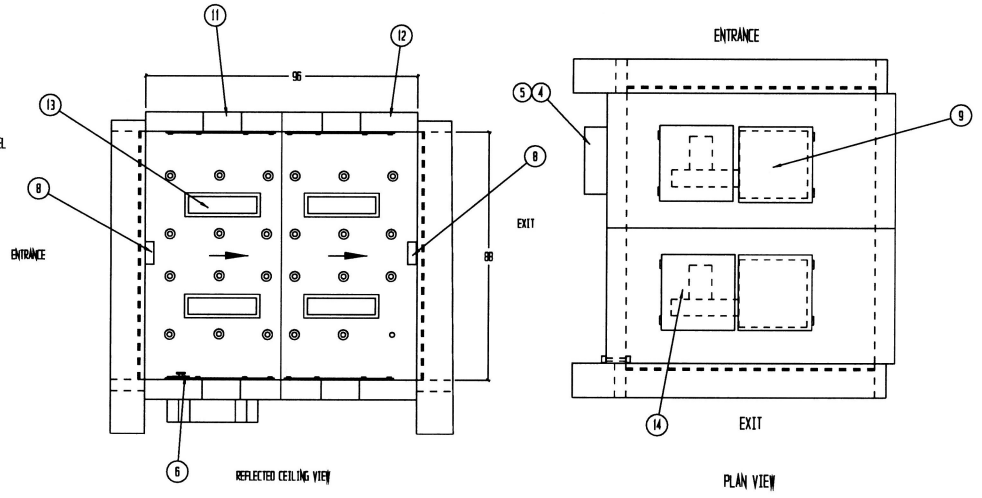


NOTES:

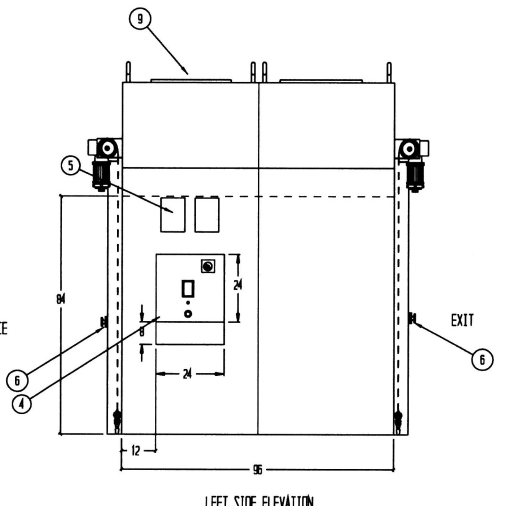
- INTERIOR & EXTERIOR CONSTRUCTED OF 16 GA. GALVANNEALED STEEL, PAINTED WHITE EPOXY
- ELECTRICAL WIRING TO CONFORM TO LATEST NEC STANDARDS
- CONTROLS ENCLOSURE TO BE LABELED PER UL508A
- CUSTOMER TO SUPPLY A SINGLE SOURCE, 460 VOLT, 3 PH, 60HZ, 23.5 FLA ELECTRICAL SERVICE AT PANEL
- UNIT TO MEET FEDERAL STANDARD 209B AND 209E FOR CLASS 100 DEVICES
- UNIT TO BE SHIPPED IN 4 PIECES, (2) BASES AND (2) BLOWER/FILTER SECTIONS WITH DOORS ASSEMBLIES SHIPPED LOOSE
- CLEAR DOOR WIDTH BETWEEN BUMPER @ 66"
- E-STOP WHEN DEPRESSED SMALL SHUTDOWN AIR SHOWER, OPEN BOTH DOORS AND SOUND AUDIBLE ALARM SYSTEM TO RESET WHEN E-STOP IS PULLED BACK OUT
- CONTROL BOX TO SHIP INSTALLED

**IMPORTANT
CUSTOMER TO CONFIRM:**

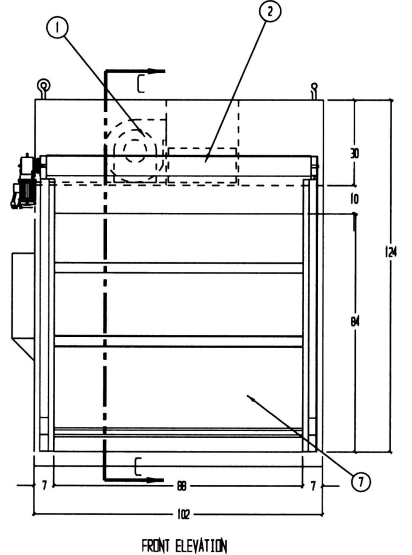
- CLEAR DOOR OPENINGS OF NO LESS THAN 63" WIDE FROM UNLOADING SITE TO INSTALLATION SITE



SECTION C-C



LEFT SIDE ELEVATION



FRONT ELEVATION

REV	REVISIONS		DATE	APPROVED
	DESCRIPTION			

- 2 EA. DIRECT DRIVE MOTOR/BLOWER 5 H.P., 460V/ 3PH/ 60HZ 6.1 FLA, CAPABLE OF PRODUCING 1800 CFM AT 4" S.P.
- 2 EA. 24 X 24 X 11 1/2 Y-BANK FILTER, 99.99% EFFICIENT ON PARTICLES OF 0.3 MICRONS AND LARGER
- 4 EA. 12 X 30 X 1" FLUSH PRE-FILTER GRILLS WITH 35% DISPOSABLE PRE-FILTERS
- CONTROL ENCLOSURE WITH MOTOR CONTROLS PLC AND TRANSFORMERS, DOOR MOUNT DISCONNECT SWITCH, MASTER E-STOP, EMERGENCY INDICATOR, AUDIBLE ALARM AND INTERFACE PANEL
- 2 EA. ROLL UP DOOR CONTROL PANEL
- EMERGENCY STOP BUTTON (MUSHROOM TYPE 4 EA)
- HIGH SPEED ROLL-UP DOORS
- 2 EA. INFRARED PRESENCE SENSORS
- HINGED SERVICE PANEL FOR HEPA FILTER CHANGE
- 80 EA. HIGH VELOCITY ADJUSTABLE PVC AIR NOZZLES
- RETURN AIR DUCTS
- SUPPLY AIR DUCTS
- 4 EA. FLUORESCENT LIGHT FIXTURE, WITH (2) 20W COOL WHITE LAMPS
- HINGED SERVICE PANELS FOR MOTOR
- 1" PVC WALL BUMPER AT 17" AFF

DRAWN FOR	HALCO PRODUCTS CO.			
	100 NO. GORDON STREET ELK GROVE, IL. 60007			
	TITLE			
	AIR SHOWER MODEL: AS887-ST/PLC/AD/NF/SP			
DRAWN BY	TW	SIZE	JOB NO. 13078	DATE
APPROVED BY		SCALE	DWG NO. 101754580	DATE 1-14-13
			SHEET	REF: 12878