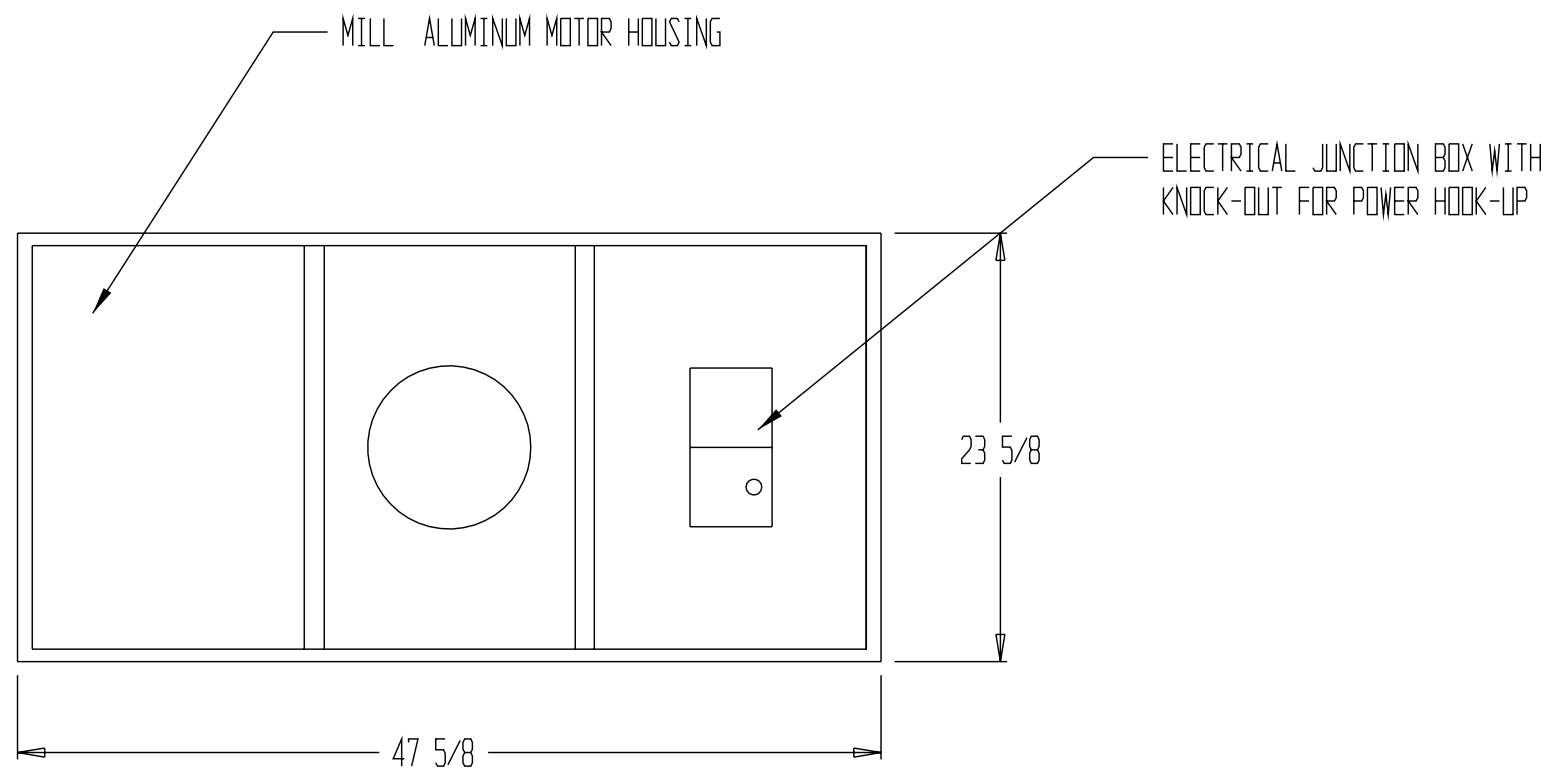
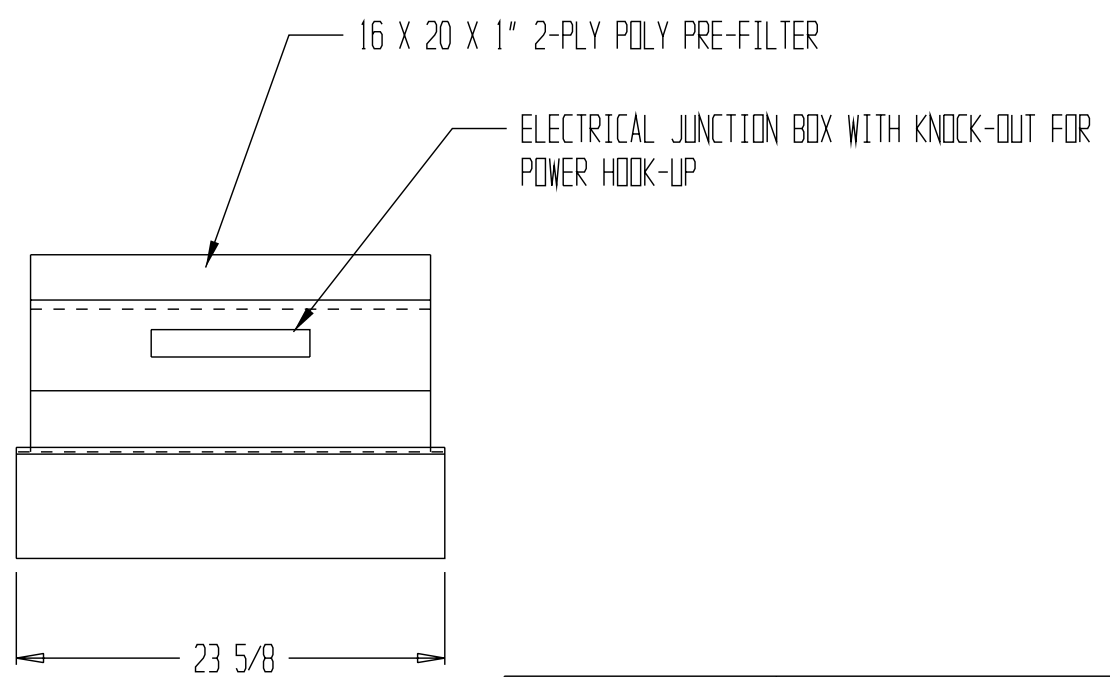
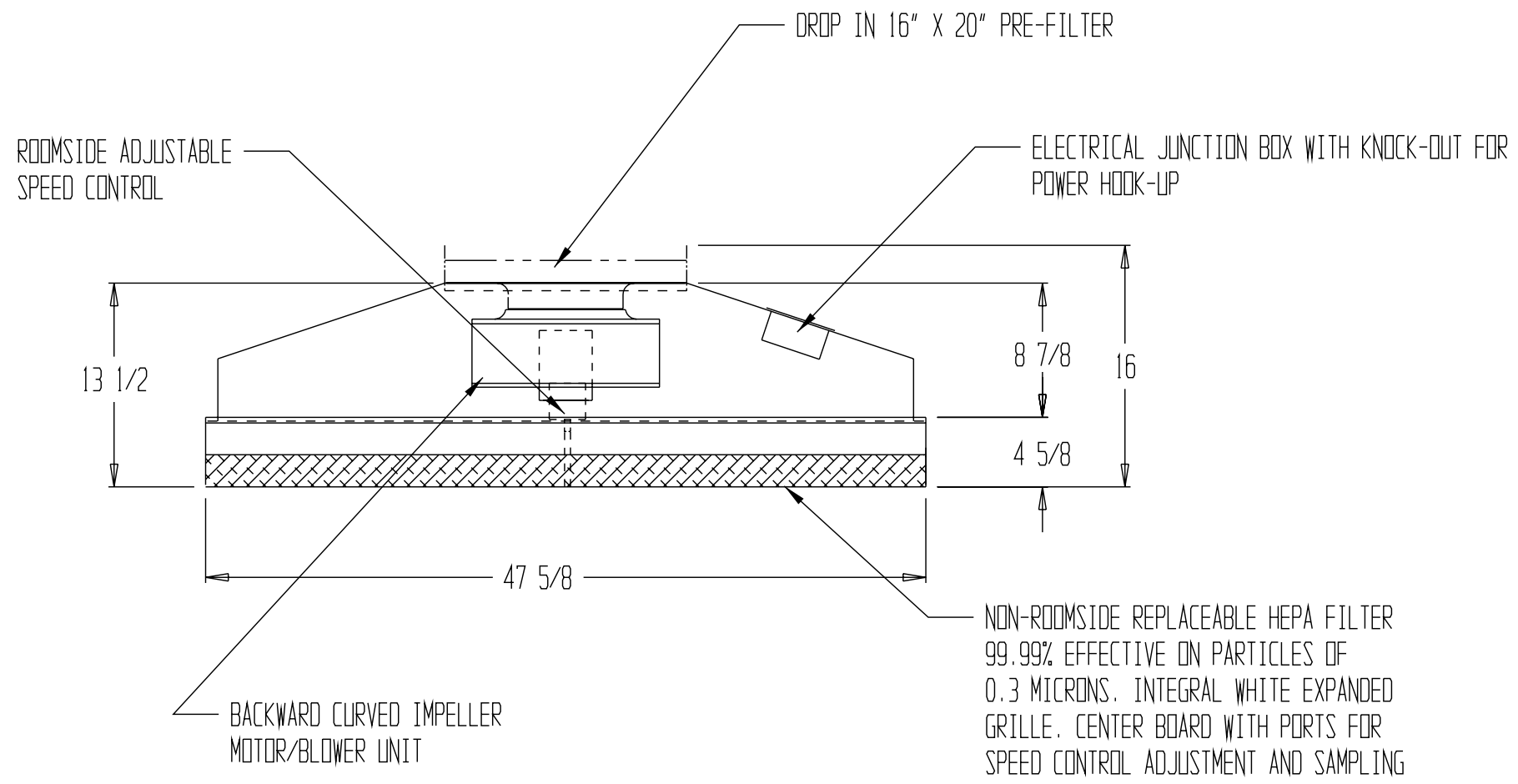


REVISIONS			
REV	DESCRIPTION	DATE	APPROVED



NOTES:

- ELECTRICAL TO MEET LATEST NEC CODES
- SOUND LEVEL OF 53 DBA @ 90 FPM
- VOLTAGES: 115 VAC
- UNIT POWER CONSUMPTION 160 WATTS MAX
- COOLING LOAD REQUIREMENT OF 650 BTU/hr
- UNIT WEIGHT 60 LBS.



DRAWN FOR		<b>HALCO PRODUCTS CO.</b>		
		100 NO. GORDON STREET ELK GROVE, IL. 60007		
		TITLE AT2000-1 FAN FILTER UNIT		
DRAWN BY	TM	SIZE	JOB NO.	DWG NO.
APPROVED BY		SCALE	DATE	SHEET
		1"=1'	12-23-03	1712816BH