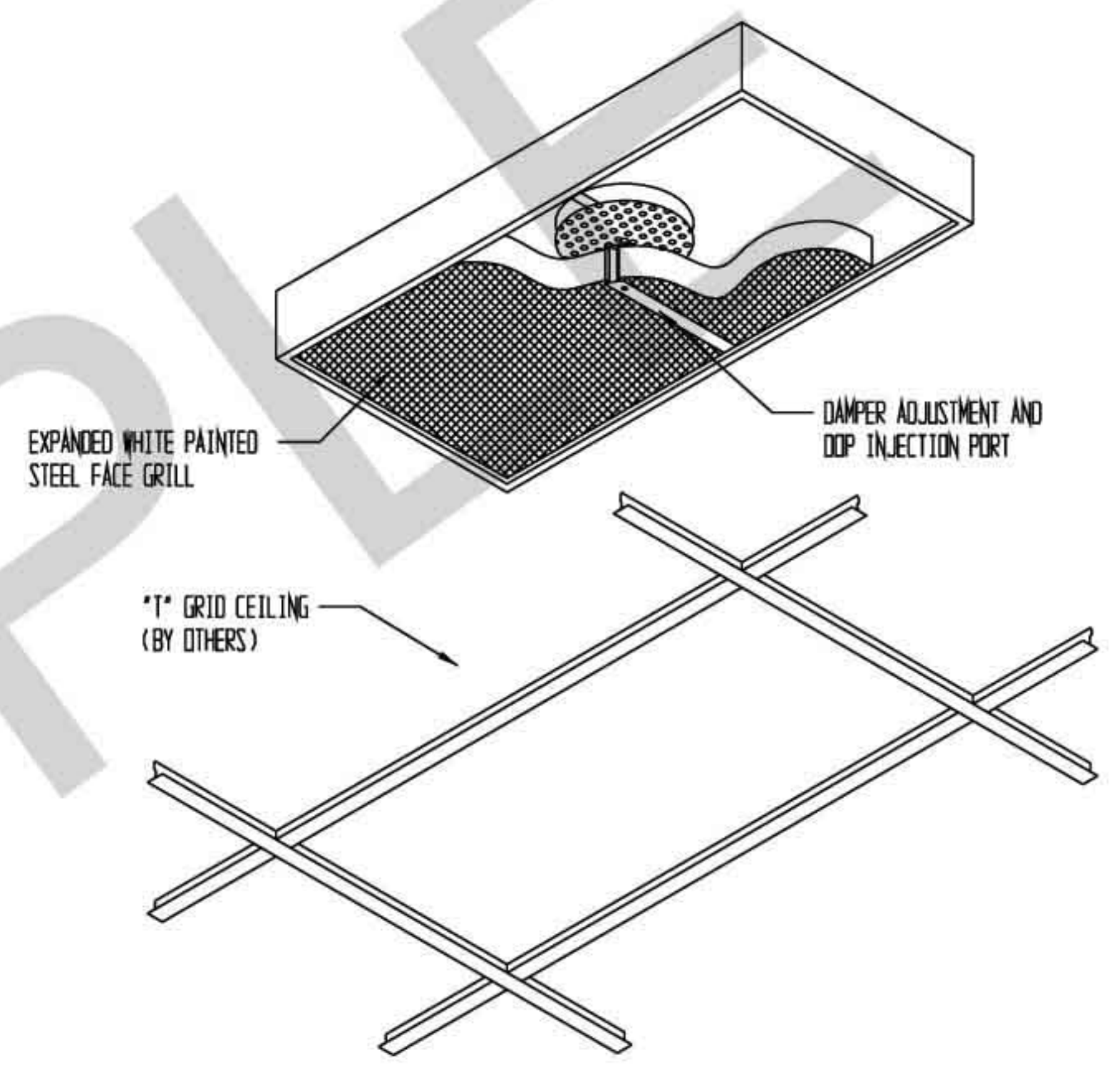
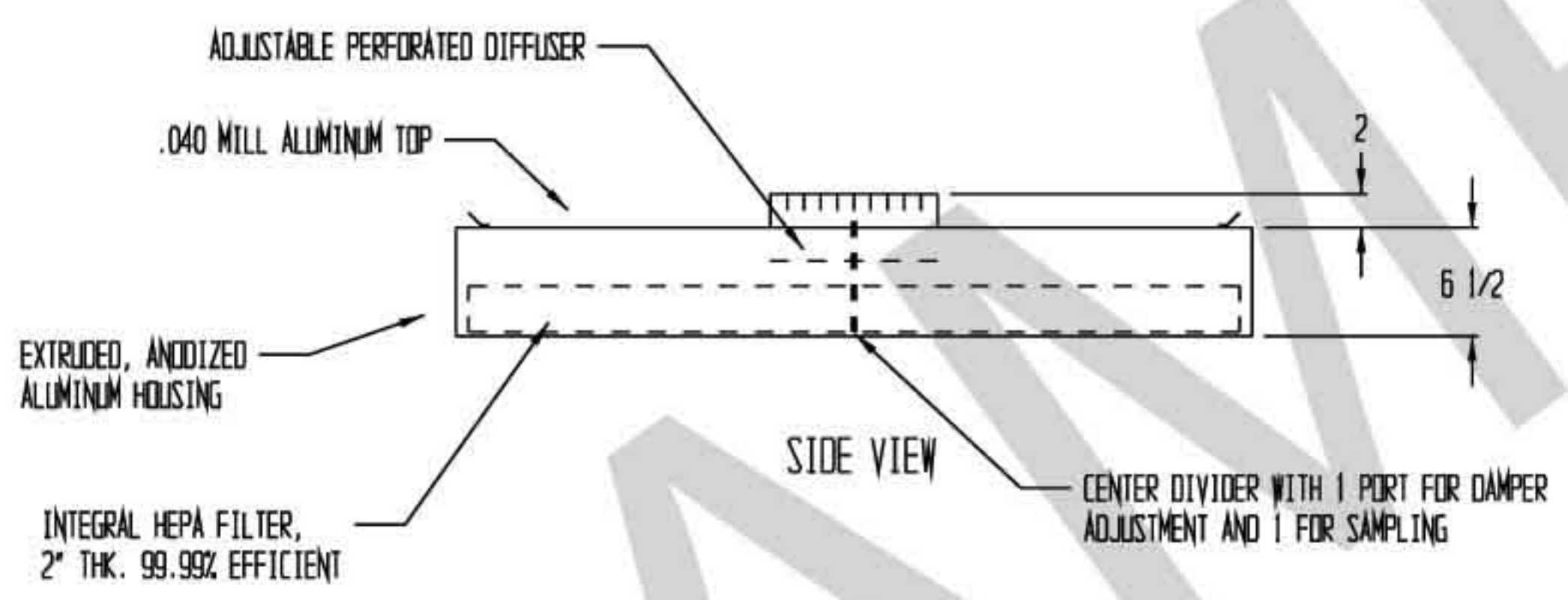
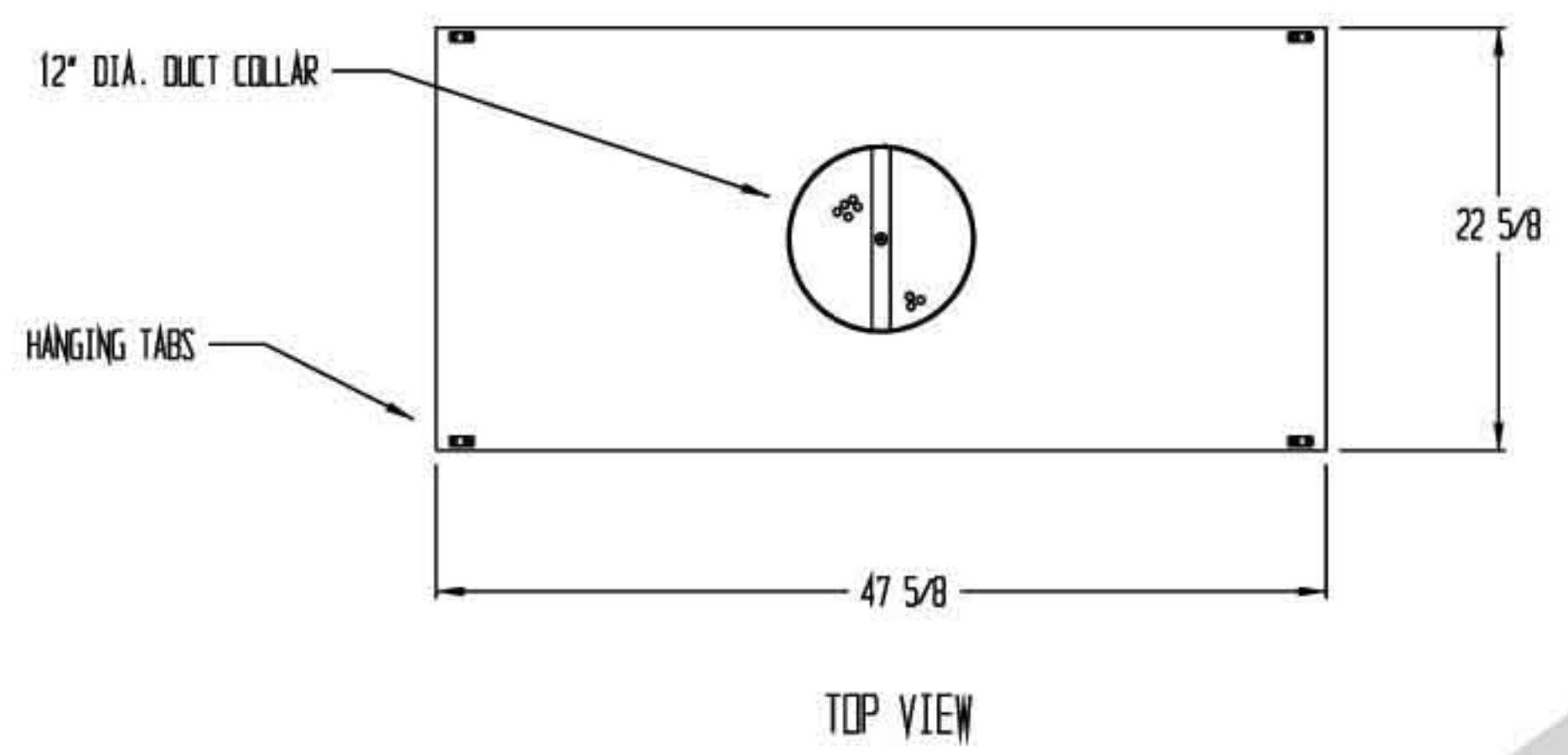
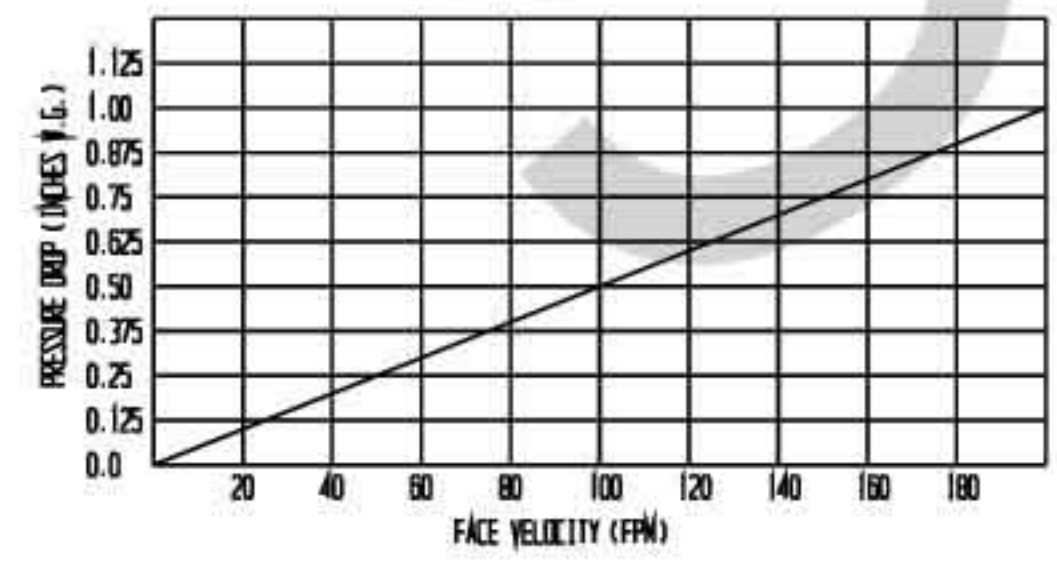


REVISIONS			
REV	DESCRIPTION	DATE	APPROVED



PRESSURE DROP VS. FACE VELOCITY
HEPA FILTER 2" MEDIA DEPTH, 99.99% @0.3 MICRONS



NOTES:

- UNIT TO MEET FEDERAL STANDARDS 209E FOR CLASS 100 DEVICES
- UNIT TO MEET ISO STANDARD 14644-1 FOR CLASS 5

DRAWN FOR		HALCO PRODUCTS CO.			
		100 NO. GORDON STREET ELK GROVE, IL. 60007			
		TITLE FILTER MODULE - TM2348-2/AL/D12/WE			
DRAWN BY	TM	SIZE	JOB NO. -----	DNQ NO.	1714352A0Halco
APPROVED BY		SCALE	NTS	DATE	2/27/07
				SHEET	