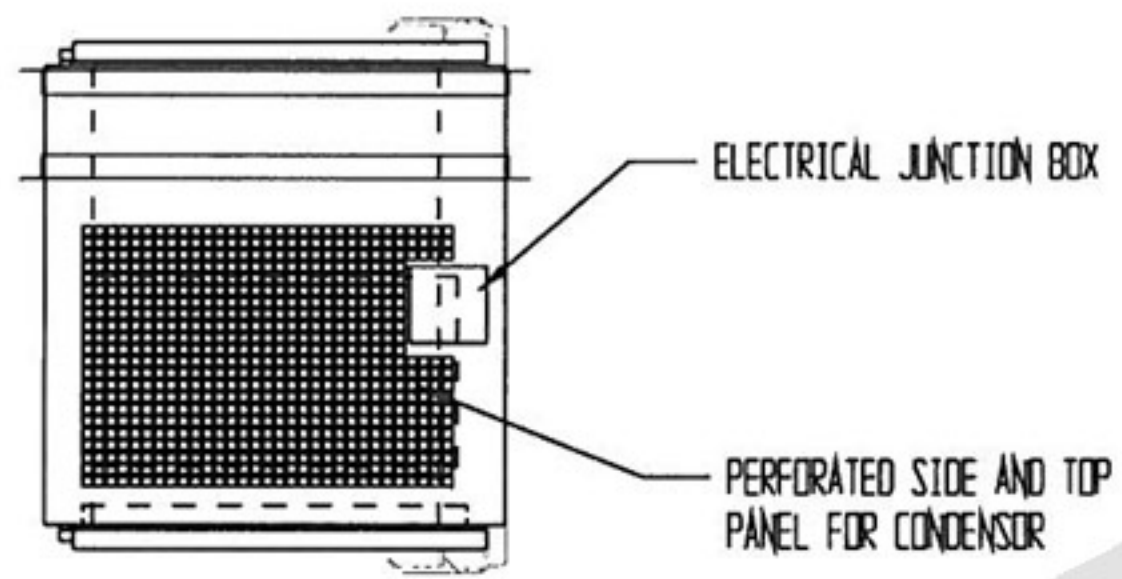
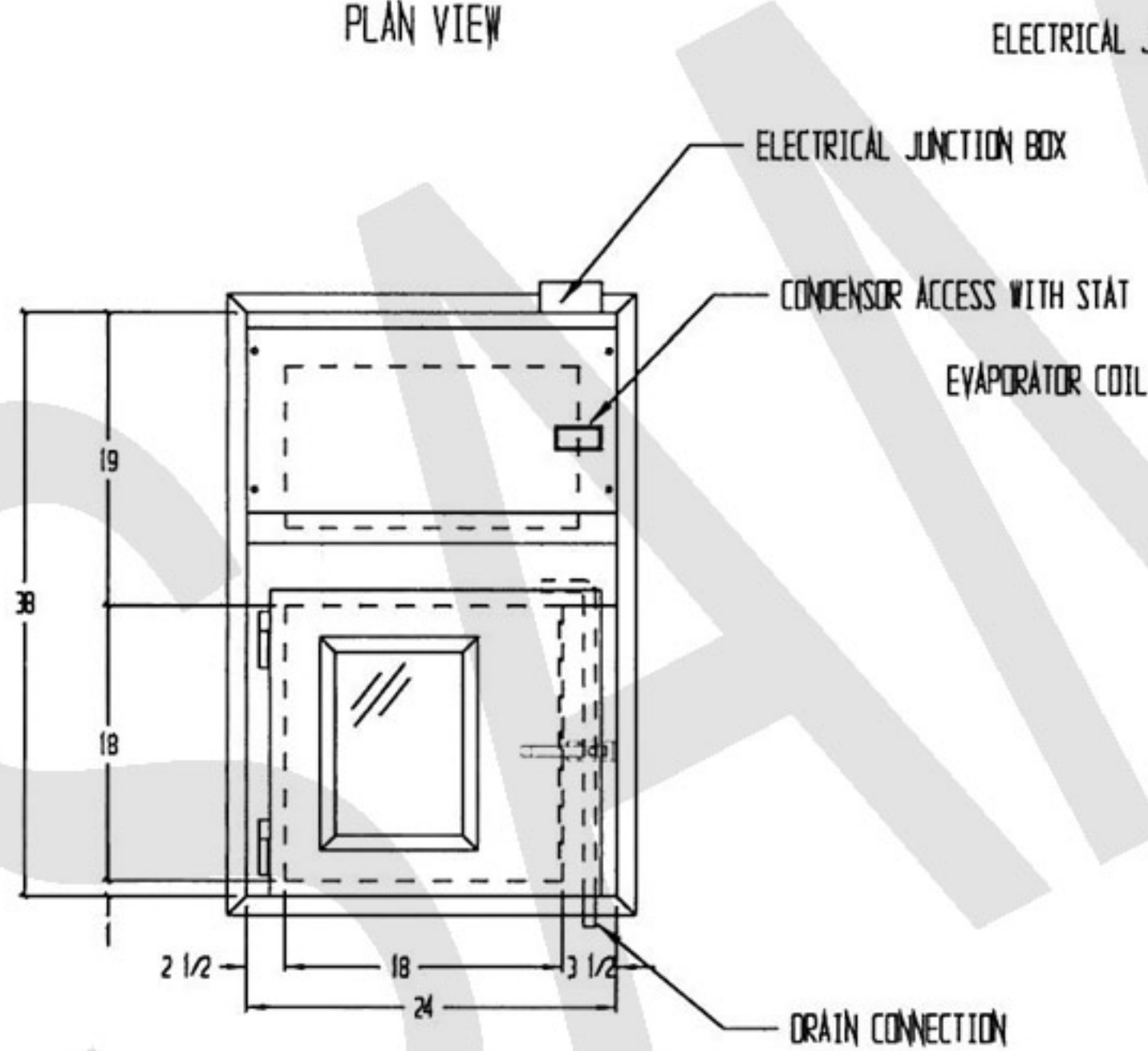


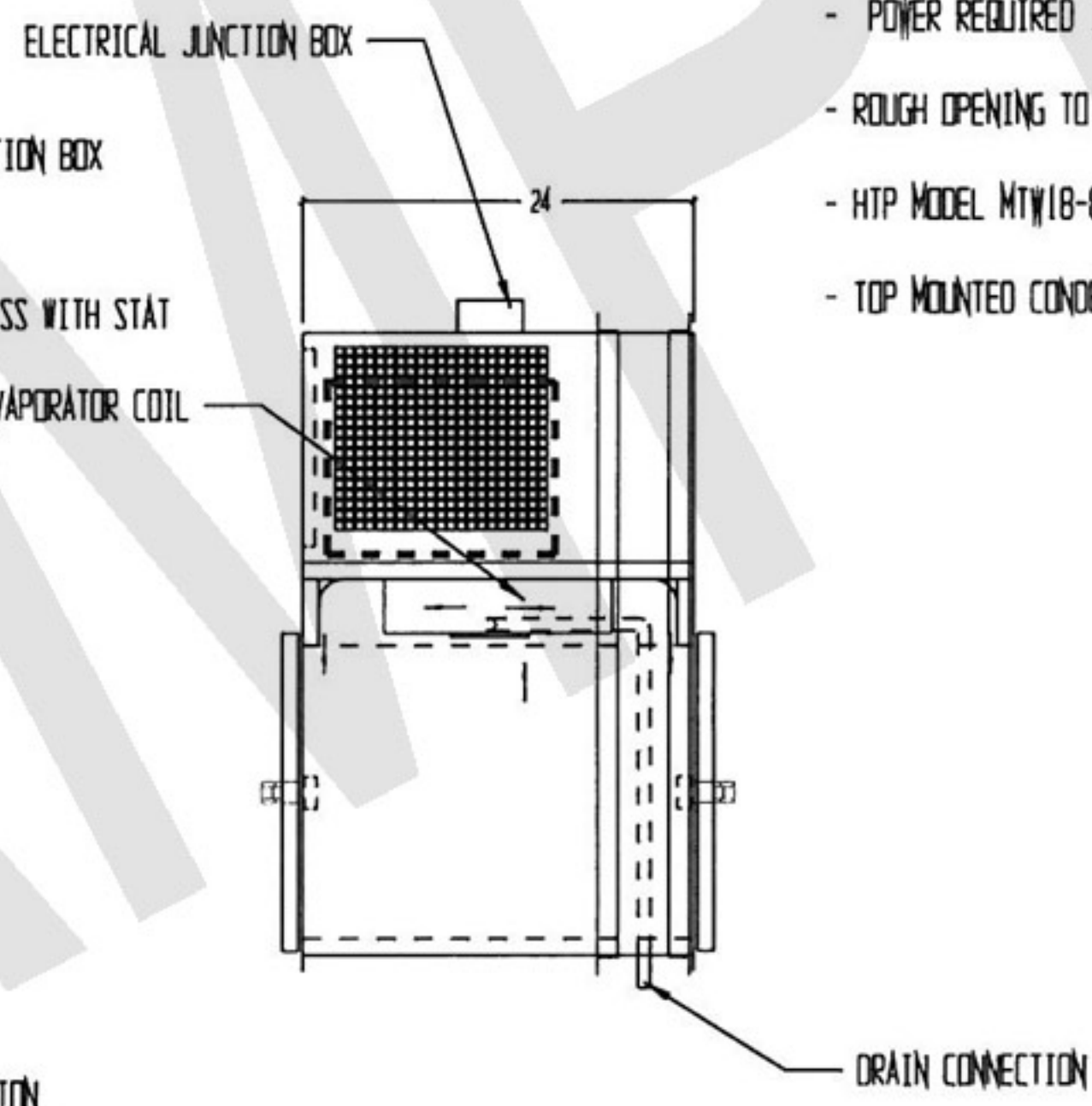
REVISIONS			
REV	DESCRIPTION	DATE	APPROVED
A	MOVE CONDENSOR TO TOP	7/17/10	



PLAN VIEW



FRONT VIEW



SIDE VIEW

NOTES:

- UNIT CHAMBER FABRICATION TO BE DOUBLE WALL, CONSTRUCTION WITH FOAM INSULATION
- UNIT TO BE CONSTRUCTED OF 16 GA. 304 STAINLESS STEEL WITH #4 FINISH
- DOORS TO BE CONSTRUCTED OF 20 GA. 304 STAINLESS STEEL WITH INSULATED GLASS, NON-SHEDDING EXTRUDED SANTOPRENE GASKET, BLACK POWDER COATED PIVOT HINGES AND CHROME PLATED COMPRESSION LATCHES
- UNIT TO BE SUPPLIED WITH 1 1/2" X 1 1/2" X 16 GA. 316L STAINLESS STEEL MOUNTING ANGLE (TO BE FIELD INSTALLED)
- UNIT TO HAVE MECHANICAL DOOR INTERLOCK SYSTEM
- POWER REQUIRED 120V / 1 PH/ 60 HZ/20.0 FLA
- ROUGH OPENING TO BE 1/4" LARGER THAN OUTSIDE DIMENSIONS OF UNIT
- HTP MODEL MT#18-8 EVAPORATOR COIL WITH CIRCULATOR FAN IN CEILING
- TOP MOUNTED CONDENSOR UNIT WITH STAT MOUNTED TO ACCESS PANEL

DRAWN FOR		HALCO PRODUCTS CO. 100 NO. GORDON STREET ELK GROVE, IL. 60007			
		TITLE PT1818-24/SS/MI/REF/SP			
DRAWN BY	DK	SIZE	JOB NO.	DRG. NO.	1516246AA
APPROVED BY		SCALE	NONE	DATE	7/6/10
				SHEET	