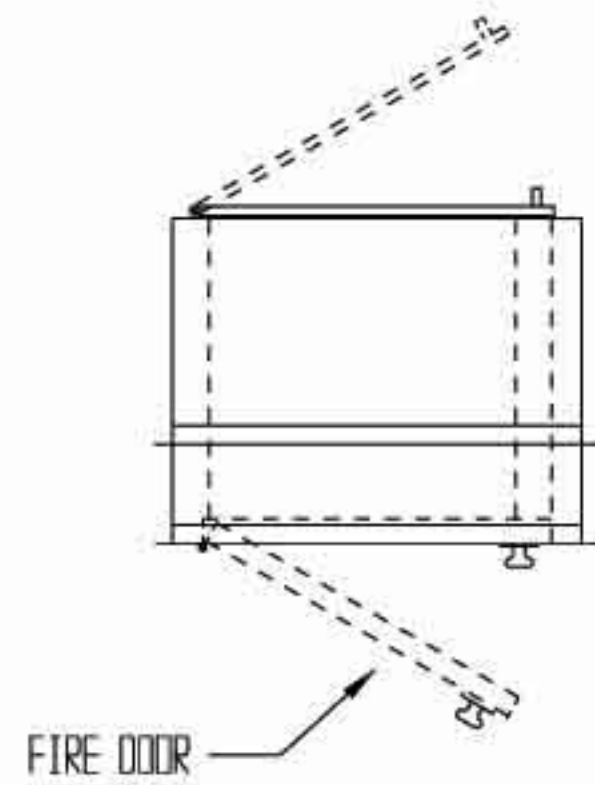


REVISIONS			
REV	DESCRIPTION	DATE	APPROVED

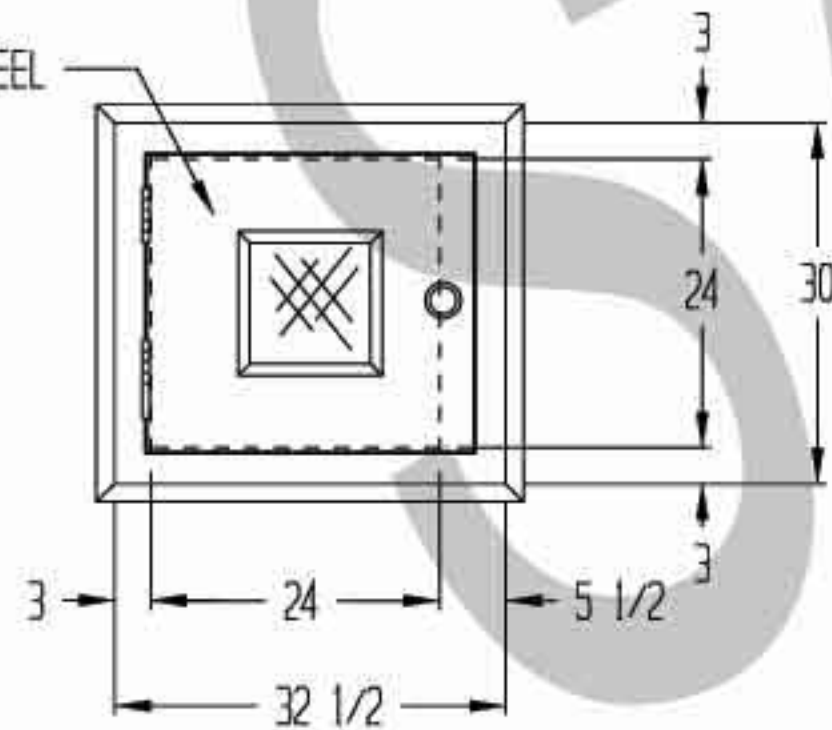
NOTES:

- UNIT FABRICATION TO BE DOUBLE WALL, CONSTRUCTED OF 16 GA. 304 STAINLESS STEEL WITH A NO. 4 FINISH
- (1) NON-RATED DOOR TO BE CONSTRUCTED OF 20 GA. TYPE 304 STAINLESS STEEL WITH 1/4" THK. WIRE GLASS WINDOW, (3) PIVOT HINGES, AND QUARTER TURN CHROME PLATED HANDLE, DOOR TO BE 3/4" THK, DOUBLE WALL CONSTRUCTED
- (1) FIRE RATED DOOR, 24 3/4" HIGH X 27 1/4" WIDE, TO BE 16 GA. TYPE STAINLESS STEEL, 1 1/2 HOUR RATED, UL "B" LABELED, FIRE DOOR TO BE SUPPLIED WITH STAINLESS STEEL KNOB SET, SPRING LOADED BUTT HINGES, AND 10 X 10 WIRE GLASS WINDOW
- UNIT TO BE SUPPLIED WITH 1 1/2" X 1 1/2" X 16 GA. 304 STAINLESS STEEL MOUNTING ANGLE (TO BE FIELD INSTALLED)
- ROUGH OPENING TO BE 1/2" LARGER THAN OUTSIDE DIMENSIONS OF UNIT
- DOOR GASKET TO BE NON-PARTICULATING TYPE
- DOORS PROVIDED WITH MECHANICAL INTERLOCKS

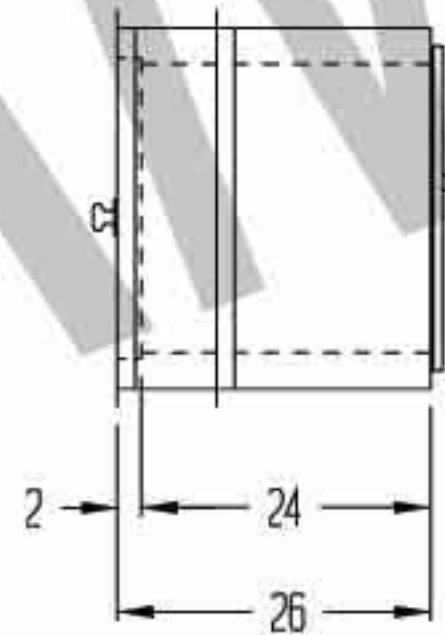


PLAN VIEW

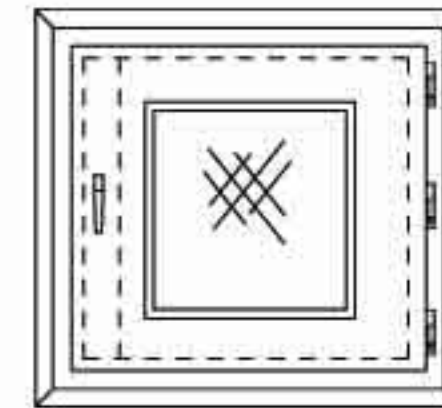
STAINLESS STEEL FIRE DOOR



FRONT VIEW
(FIRE RATED DOOR)



RIGHT SIDE VIEW



REAR VIEW
(FACING NON RATED DOOR)

DRAWN FOR		HALCO PRODUCTS CO.			
		100 NO. GORDON STREET ELK GROVE, IL. 60007			
		TITLE PASS THRU - PT2424-24/SS/MI/FD			
DRAWN BY	TM	SIZE	JOB NO.	ONG NO.	REV
APPROVED BY		SCALE	1/2" = 1'-0"	DATE	11-23-09
		SHEET			