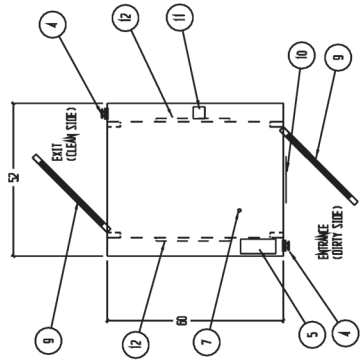


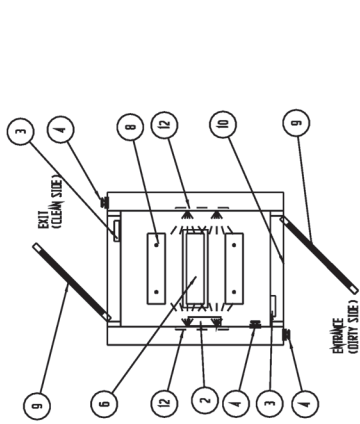
REV.	DESCRIPTION	DATE	APPROVED
1	REPLACE HEPA FILTER AND LOWER GRILLES	4/7/17	JM

NOTES:

- EXTERIOR CONSTRUCTION TO BE 16 GA. GALVANNEALED STEEL COATED WITH WHITE EPOXY PAINT
- INTERIOR CONSTRUCTION TO BE 16 GA. TYPE 304 STAINLESS STEEL WITH A #4 FINISH
- ELECTRICAL WIRING TO CONFORM TO LATEST NEC STANDARDS
- CUSTOMER TO SUPPLY A SINGLE SOURCE (15 VOL/1 PHASE/ 60 HZ. 2.0 FLA ELECTRICAL SERVICE)
- CUSTOMER TO SUPPLY FILTERED WATER AT A MINIMUM OF 60 PSI
- UNIT TO BE SHIPPED IN ONE PIECE FOR EASE OF INSTALLATION
- DOORS TO BE ELECTRICALLY INTERLOCKED
- CARTRIDGE TYPE REPLACEABLE WATER FILTER
- UNIT TO HAVE NO FLOOR
- AUTOMATIC OPERATION WITH CLOSING OF ENTRY DOOR

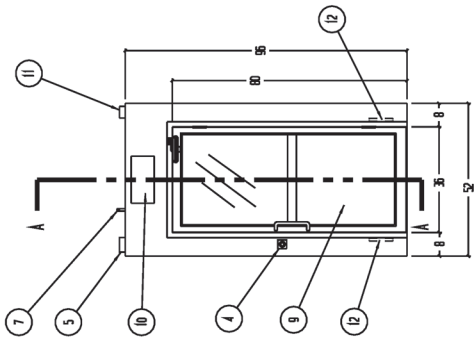
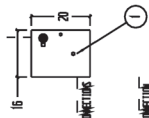


PLAN VIEW

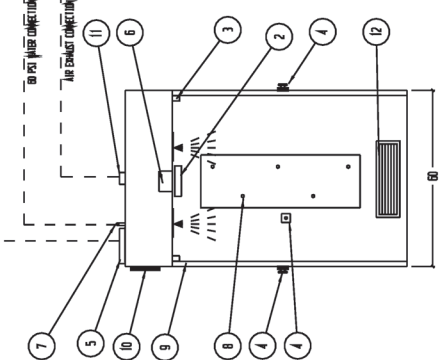


REFLECTED CEILING VIEW

- CUSTOMER FURNISH SUPPLY ZINC/BRONZE PLATE



ENTRY ELEVATION



SECTION A-A

- PAINTED STEEL NEW. 12 CONTROLS ENCLOSURE FOR REMOTE MOUNTING WITH INHER CYCLE "ON" INDICATOR
- INTERIOR PRESENCE SENSOR
- MAGNETIC DOOR LOCKS WITH STATUS SWITCHES
- 3 EA EMERGENCY STOP BUTTON (END)
- JUNCTION BOX FOR CONNECTION TO REMOTE BOX
- LED LIGHT FIXTURE WITH GASETED STAINLESS STEEL LENS
- 3/8" NPT CUSTOMER WATER CONNECTION
- 14 EA. STAINLESS STEEL MISTING NOZZLES CAPABLE OF 2.5 GAL/HR @ 60 PSI ON FLOOR MOUNTED REMOVABLE SERVICE PANELS ON WALLS & CEILING
- ANODIZED ALUMINUM FRAME DOORS WITH 1/4" SAFETY GLASS GLAZING, BOTTOM SOLID ALUM. PANEL, PUSH/PULL HARDWARE, SELF CLOSERS AND MAGNETIC DOOR LOCKS
- ACCESS PANEL FOR WATER SUPPLY BALL VALVE & WATER FILTER
- 1/2" x 4" x 4" EXHAUST DUCT CONNECTION
- 2 EA LOW WALL EXHAUST GRILLES WITH AIR INTAKE FROM UNDER DOORS

1 UNIT REQUIRED AS SHOWN

	HALCO PRODUCTS CO		
DRAWING FOR	TITLE: MS357-ST/SSI/PLC/AF MISTING SHOWER		
DRAWING BY: DK	SIZE: 1/2" = 1'-0"	DWG. NO.: 10197758A	REV. DATE: 10/27/10
APPROVED BY:	SCALE: 1/2" = 1'-0"	DATE: 4/26/17	REV. DATE: 10/27/10