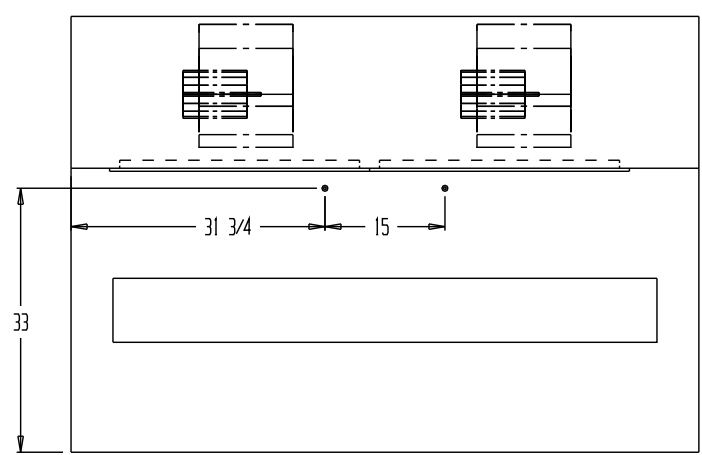


REVISIONS			
REV	DESCRIPTION	DATE	APPROVED
A	APPROVAL/ENGINEERING REVISIONS	12/3/12	

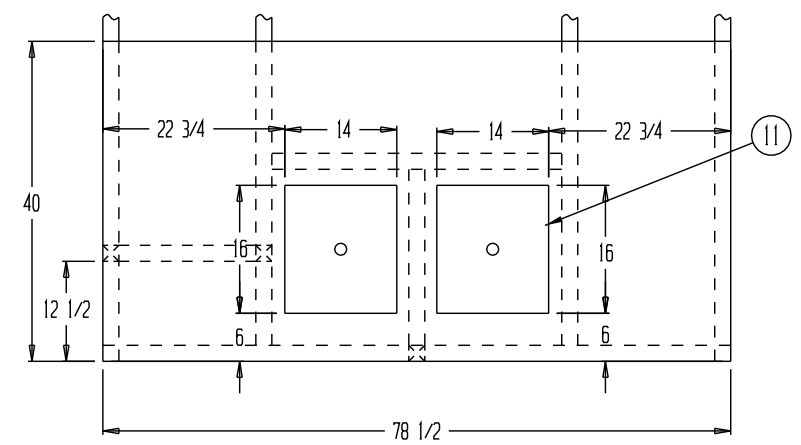
NOTES:

- UNIT CONSTRUCTED OF TYPE 316L STAINLESS STEEL WITH A #4 FINISH
- ELECTRICAL TO MEET LATEST NEC CODES
- UNIT TO MEET ISO 14644-1 STANDARDS
- UNIT SHIPPED ASSEMBLED AND READY FOR USE
- WATER VALVE SUPPLIED AND INSTALLED BY CUSTOMER

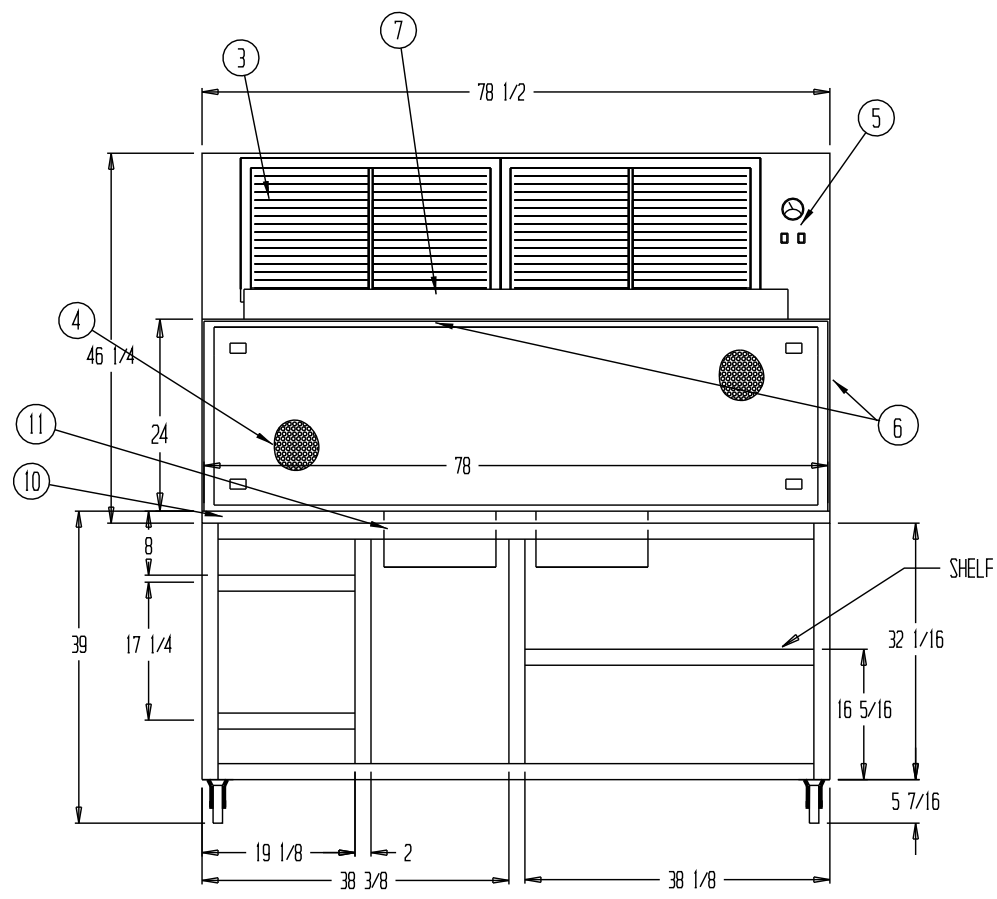
- ① 2 EA. 9-9A DIRECT DRIVE BLOWER WITH 1/3 H.P. 115 VOLT/ 1 PHASE/ 60 CYCLE
- ② 2 EA. 24" X 36" X 3 1/2" HEPA FILTER. 99.99% EFFECTIVE ON PARTICLES OF 0.3 MICRONS IN SIZE
- ③ 2 EA. 30" X 16" X 1" ANODIZED ALUMINUM PRE-FILTER GRILL WITH 35% EFFICIENT DISPOSABLE PRE-FILTER
- ④ STAINLESS STEEL PROTECTIVE HEPA-GRILL
- ⑤ CONTROL PANEL WITH MINIHELIC PRESSURE GAUGE, CONTROL AND LIGHT SWITCH
- ⑥ 316 STAINLESS STEEL WORK AREA ENCLOSURE
- ⑦ STAINLESS STEEL FLUORESCENT LIGHT FIXTURE WITH (2) LIGHT TUBES
- ⑧ 15 FT. POWER CORD
- ⑨ HEPA FILTER ACCESS PANEL
- ⑩ STAINLESS STEEL WORK SURFACE
- ⑪ 2 EACH 14" X 16" X 7" SINKS WITH DRAIN CONNECTIONS
- ⑫ 2" SQUARE TUBULAR 316L STAINLESS STEEL SUPPORT FRAME
- ⑬ 4 EA. 4" DIA STAINLESS STEEL SWIVEL CASTERS WITH TOTAL LOCK BRAKES. NSF APPROVED
- ⑭ 2 EA. NEOPRENE GROMMETS FOR 3/8" PNEUMATIC TUBING



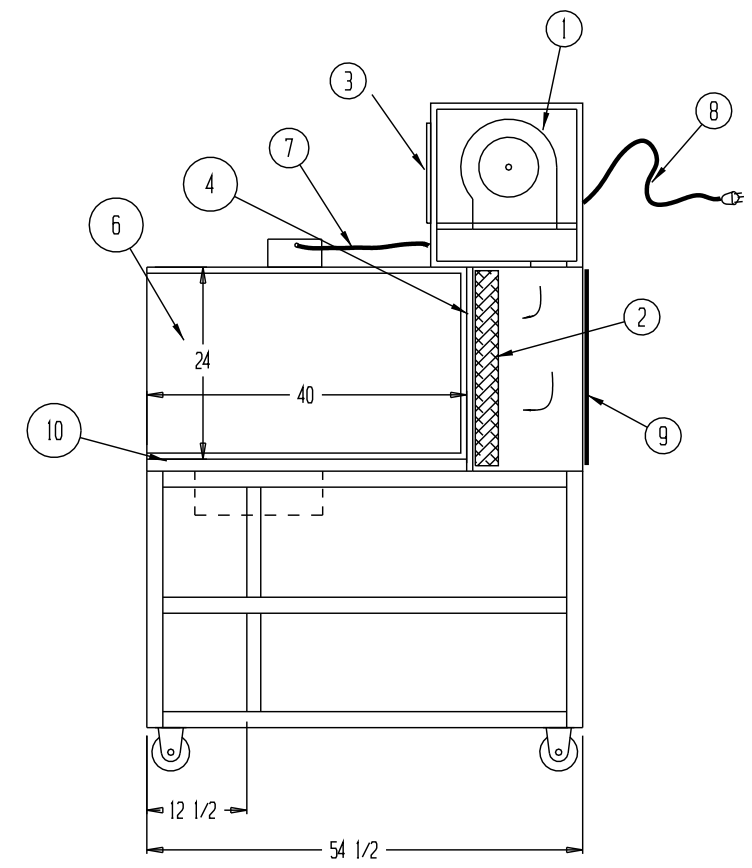
TOP VIEW



WORK SURFACE



FRONT VIEW



SIDE VIEW

DRAWN FOR		HALCO PRODUCTS CO. 100 NO. GORDON STREET ELK GROVE, IL. 60007		
QUAKER R & D PEPSICO INC.		TITLE ECONOMY TABLE TOP UNIT MODEL EL624-TT/SS/SP		
DRAWN BY	SLB/DK	SIZE	JOB NO. 13014	DWG NO. 1417444BA
APPROVED BY		SCALE	1"=1'-0"	DATE 10/15/2012 SHEET

REV A