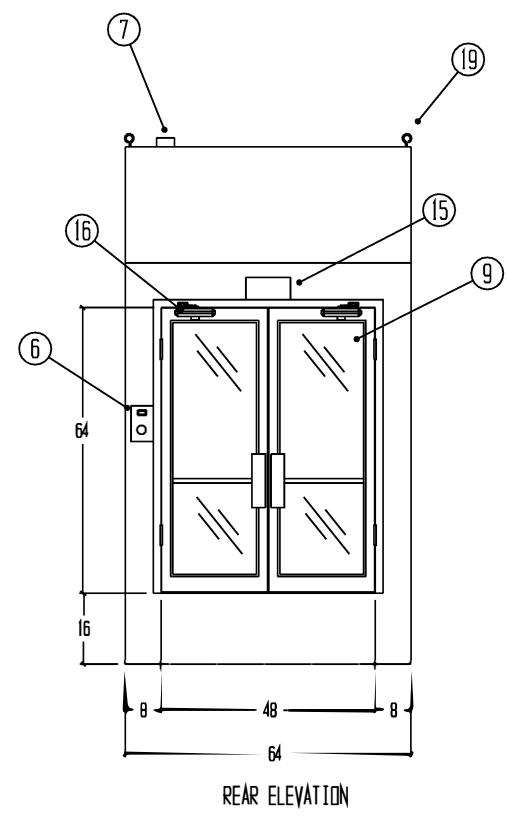
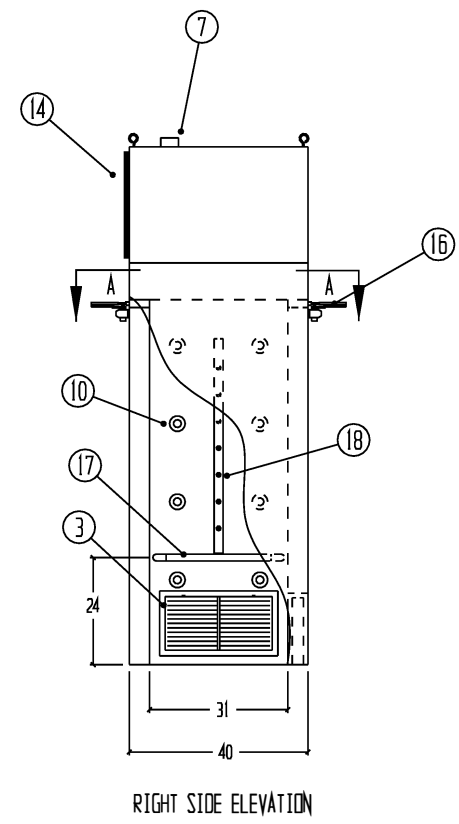
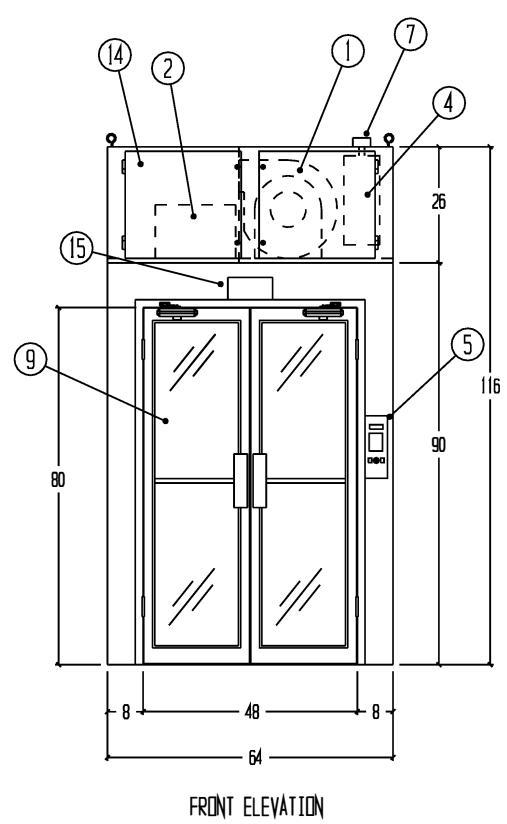
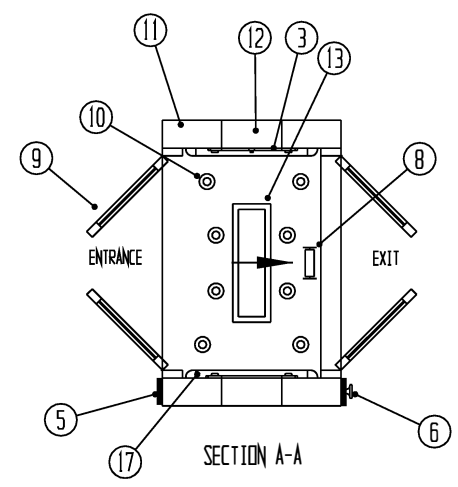
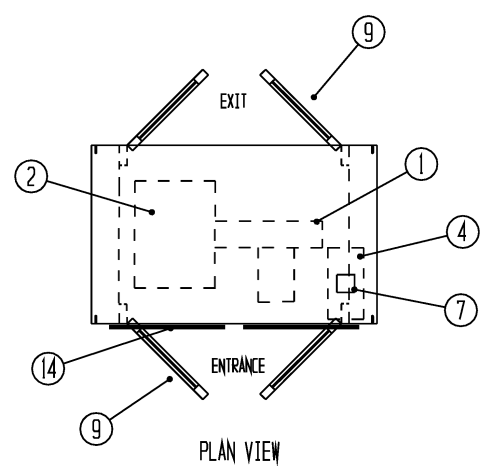


REVISIONS			
REV	DESCRIPTION	DATE	APPROVED

NOTES:

- CONSTRUCTION TO BE 16 GA. GALVANNEALED STEEL, PAINTED WHITE EPOXY PAINTED
- ELECTRICAL WIRING TO CONFORM TO LATEST NEC STANDARDS
- CUSTOMER TO SUPPLY A SINGLE SOURCE 460 VOLT/3 PH, 60 HZ, ELECTRICAL SERVICE
- UNIT TO MEET OR EXCEED ISO 14644-1 FOR CLASS 4 DEVICES
- UNIT TO BE SHIPPED IN TWO PIECES (1 BASE SECTION AND 1 BLOWER/FILTER SECTION)



**IMPORTANT
CUSTOMER TO CONFIRM:**

- DOOR SIZES AND DIRECTION OF SWING
- ENTRANCE AND EXIT SIDES AND DIRECTION OF OPERATION
- SERVICE ACCESS PANEL LOCATION
- AVAILABILITY OF ELECTRICAL SERVICE REQUIRED
- ELECTRICAL SERVICE CONNECTION POINT
- OVERALL SIZE OF UNIT OR SECTIONS
- CLEAR DOOR OPENINGS OF NO LESS THAN 42" WIDE FROM UNLOADING SITE TO INSTALLATION SITE

- ① 1 EA. DIRECT DRIVE MOTOR/BLOWER 2 H.P. 460V/ 3PH/ 60HZ, CAPABLE OF PRODUCING 1000 CFM AT 4" S.P.
- ② 1 EA. 18 X 24 X 11 1/2 HEPA FILTER. 99.99% EFFICIENT ON PARTICLES OF 0.3 MICRONS AND LARGER
- ③ 2 EA. 24 X 12 X 1" ANODIZED ALUMINUM PRE-FILTER GRILLES WITH 35% EFFICIENT DISPOSABLE PRE-FILTERS
- ④ ELECTRONIC CONTROLS ENCLOSURE
- ⑤ PLC CONTROL PANEL WITH LCD DISPLAY, MEMBRANE TYPE KEYPAD, AUDIBLE ALARM, LIGHT SWITCH, AND SYSTEM RESET BUTTON
- ⑥ PUSH TO START BUTTON WITH EMERGENCY STOP
- ⑦ ELECTRICAL JUNCTION BOX FOR CUSTOMER CONNECTION
- ⑧ ACTIVE INFRARED PRESENCE SENSOR
- ⑨ ANODIZED ALUMINUM NARROW STILE DOORS AND FRAMES WITH 1/4" CLEAR ACRYLIC INSERTS
- ⑩ 24 EA. HIGH VELOCITY ADJUSTABLE AIR NOZZLES
- ⑪ RETURN AIR DUCTS
- ⑫ SUPPLY AIR DUCTS
- ⑬ 1 EA. LED LIGHT FIXTURE, CAPABLE OF PRODUCING 60 FC AT 40" AFF
- ⑭ HINGED SERVICE PANELS
- ⑮ ACCESS PLATES FOR ELECTRIC DOOR LOCKS
- ⑯ DOOR CLOSERS
- ⑰ PVC BUMPER RAILS, BOTH SIDES
- ⑱ 2 EA. 4 FT. LONG DC PULSE BARS WITH CONTROLLER
- ⑲ 4 EA. LIFTING EYES

DRAWN FOR		HALCO PRODUCTS CO. 100 NO. GORDON STREET ELK GROVE, IL. 60007			
---		TITLE CART AIR SHOWER MODEL CAS 63-7 PLC/NF-ST/SP			
DRAWN BY	LVB	SIZE	JOB NO.	DWG NO.	REV
APPROVED BY		SCALE	1/4"=1'-0"	DATE	3-16-02
				1011820B0	SHEET