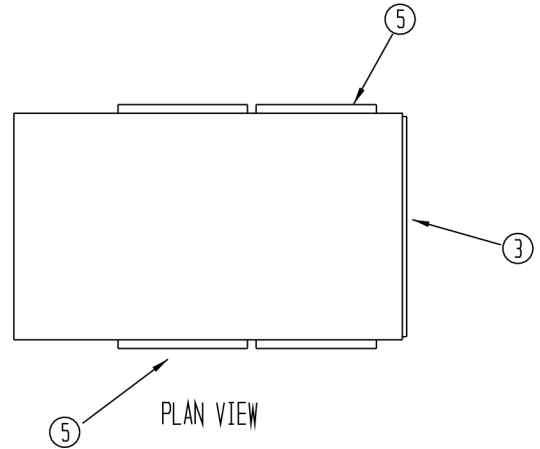
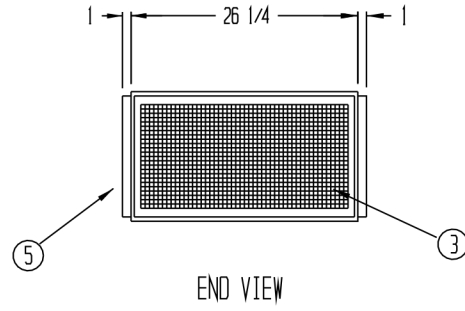
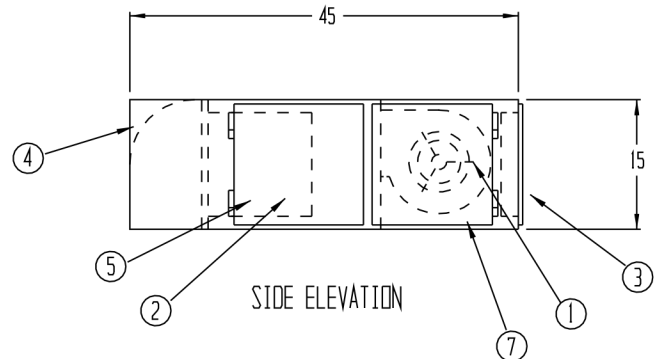


REV	DESCRIPTION	DATE	APPROVED



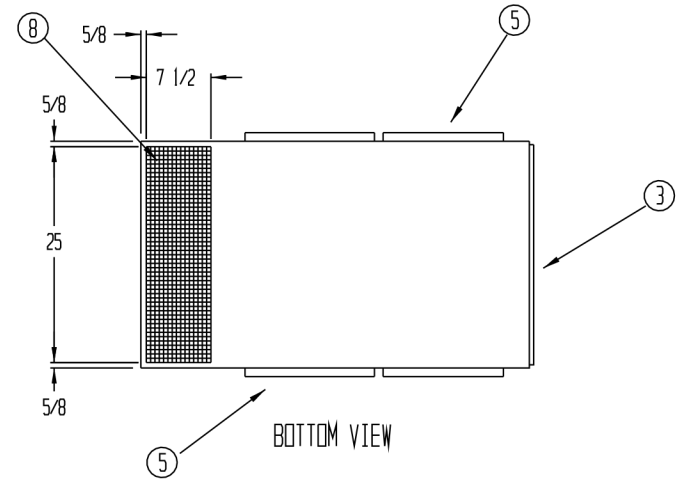
NOTES:

- CONSTRUCTION TO BE 16 GA. TYPE 304 STAINLESS STEEL WITH A #4 FINISH
- ELECTRICAL WIRING TO CONFORM TO LATEST NEC STANDARDS
- CUSTOMER TO SUPPLY A SINGLE SOURCE, 115V/ 1PH/ 60HZ, ELECTRICAL SERVICE
- UNIT TO MEET ISO STANDARD 14644-1 FOR CLASS 100 DEVICES



LEGEND:

- ① 1 EA. 009-9AT BLOWER WITH 1/3 HP DIRECT DRIVE BLOWER 115 V/ 1PH/ 60HZ/ 4.6 FLA, CAPACITY 1000 CFM
- ② 1 EA. 12 X 24 X 12" THK. HEPA FILTER, 99.99% EFFICIENT ON 0.3 MICRON SIZE PARTICLES. CAPACITY 1000 CFM
- ③ 1 EA. 12 X 24 STAINLESS STEEL PRE-FILTER GRILLE WITH A 2" THK. 35% EFFICIENT, DISPOSABLE PLEATED PRE-FILTER
- ④ TURNING VANE
- ⑤ 4 EA. HINGED SERVICE PANELS
- ⑦ ELECTRICAL JUNCTION BOX FOR CUSTOMER CONNECTION (LOCATED INSIDE BLOWER COMPARTMENT)
- ⑧ PERFORATED DISCHARGE



DRAWN FOR		HALCO PRODUCTS CO. 100 NO. GORDON STREET ELK GROVE, IL. 60007			
		TITLE BLOWER/FILTER BOX - BF-12/SS-115			
DRAWN BY	DK	SIZE	JOB NO.	DNW NO.	REV
APPROVED BY		SCALE	1"=1'-0"	DATE	6/14/04
					SHEET