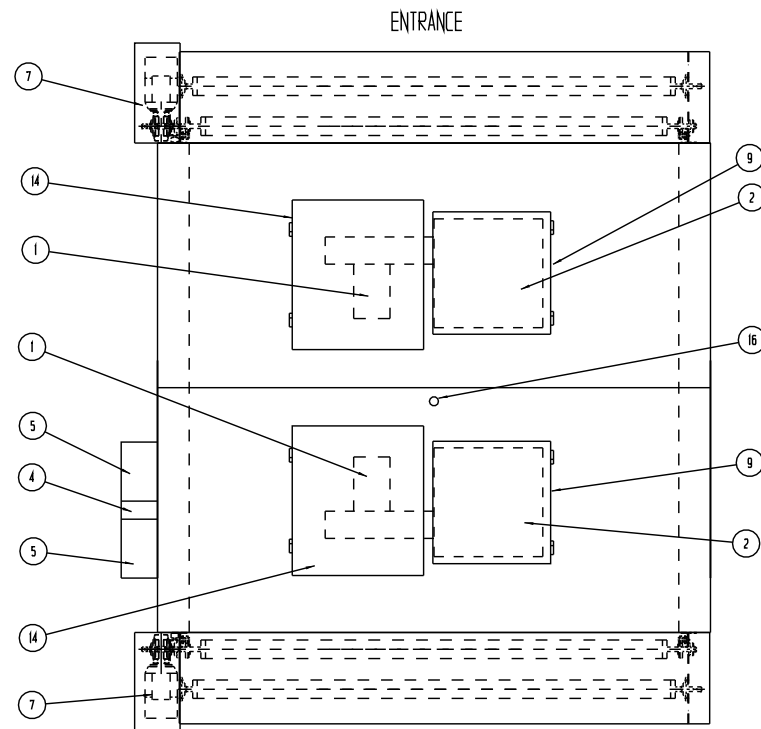
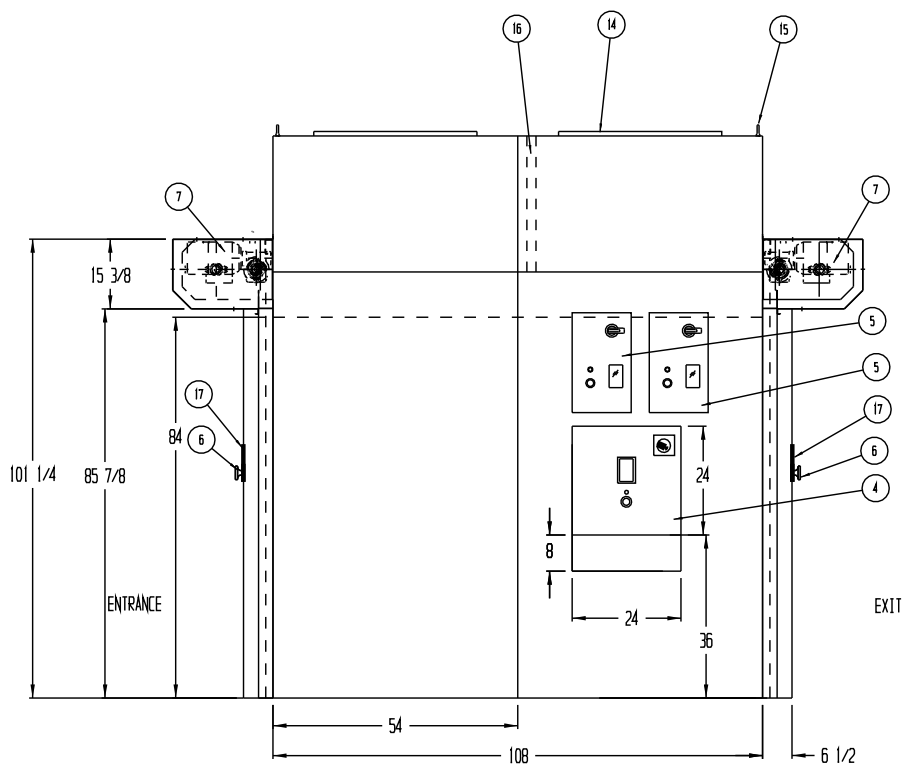


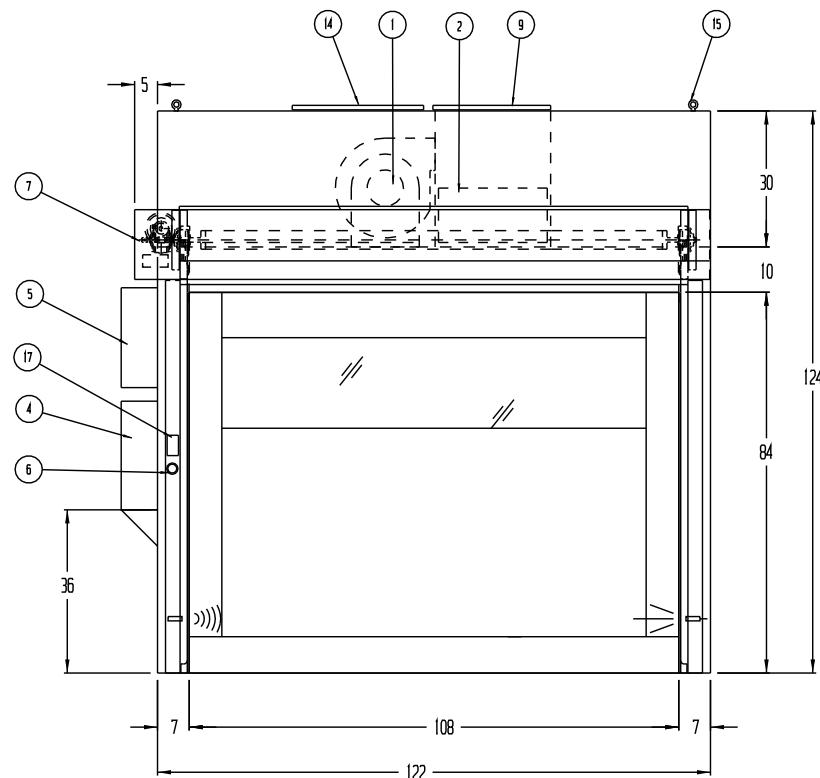
REFLECTED CEILING VIEW



EXIT PLAN VIEW



RIGHT SIDE ELEVATION



EXIT ELEVATION

NOTES:

- INTERIOR & EXTERIOR CONSTRUCTED OF 16 GA. GALVANNEALED STEEL, PAINTED WHITE EPOXY
- ELECTRICAL WIRING TO CONFORM TO LATEST NEC STANDARDS
- CONTROLS ENCLOSURE TO BE LABELED PER UL508A
- AIR SHOWER POWER REQUIREMENT 460 VOLT, 3 PHASE, 60 HERTZ, 25.5 FULL LOAD AMPS
- RECOMMENDED MINIMUM BREAKER SIZE OF 30 AMPS
- UNIT TO MEET FEDERAL STANDARD 209B AND 209E FOR CLASS 100 DEVICES
- UNIT TO BE SHIPPED KNOCKED DOWN IN 4 PIECES WITH DOORS ASSEMBLIES SHIPPED LOOSE
- CLEAR DOOR @ 72" WIDE X 100" HIGH
- E-STOP, WHEN DEPRESSED, SHALL SHUTDOWN AIR SHOWER, OPEN BOTH DOORS AND SOUND AUDIBLE ALARM. TO RESET SYSTEM, PULL E-STOP BACK OUT
- CONTROL BOXES TO SHIP INSTALLED

**IMPORTANT
CUSTOMER TO CONFIRM:**

- CLEAR DOOR OPENINGS OF NO LESS THAN 72" WIDE FROM UNLOADING SITE TO INSTALLATION SITE

REVISIONS			
REV	DESCRIPTION	DATE	APPROVED
A	ADD WAVE SWITCHES TO DOOR COLUMN	4/8/21	SM

- ① 2 EA. DIRECT DRIVE MOTOR/BLOWER 5 H.P. 460V/ 3PH/ 60HZ 5.9 FLA EACH, CAPABLE OF PRODUCING 2400 CFM AT 4" S.P.
- ② 2 EA. 24" X 24" X 11-1/2" V-BANK FILTER. 99.99% EFFICIENT ON PARTICLES OF 0.3 MICRONS IN SIZE
- ③ 4 EA. 12" X 30" X 1" FLUSH PRE-FILTER GRILLS WITH 35% DISPOSABLE PRE-FILTERS
- ④ CONTROL ENCLOSURE WITH MOTOR CONTROLS PLC AND TRANSFORMERS, DOOR MOUNT DISCONNECT SWITCH, MASTER E-STOP, EMERGENCY INDICATOR, AUDIBLE ALARM, INTERFACE PANEL & MAGNETIC GAUGE FOR HEPA
- ⑤ 2 EA. ROLL UP DOOR CONTROL PANEL
- ⑥ EMERGENCY STOP BUTTON (MUSHROOM TYPE 4 EA)
- ⑦ HIGH SPEED ROLL-UP DOORS
- ⑧ 2 EA. INFARED PRESENCE SENSORS
- ⑨ HINGED SERVICE PANEL FOR HEPA FILTER CHANGE
- ⑩ 80 EA. HIGH VELOCITY ADJUSTABLE PVC AIR NOZZLES
- ⑪ RETURN AIR DUCTS
- ⑫ SUPPLY AIR DUCTS
- ⑬ 4 EA. LED LIGHT FIXTURE
- ⑭ HINGED SERVICE PANEL FOR MOTOR & BLOWER
- ⑮ 1/2-13 EYE BOLTS FOR RIGGING TOP SECTIONS INTO PLACE
- ⑯ SPRINKLER PENETRATION WITH KENARD SEALS FOR 1" NPT SPRINKLER PIPE
- ⑰ "WAVE TO OPEN" SWITCH AT ENTRANCE AND EXIT

TAG:

DRAWN FOR		HALCO PRODUCTS COMPANY 100 NO. GORDON STREET ELK GROVE, IL. 60007		
		TITLE AS997-ST/PLC/NF/RUD/KD		
DRAWN BY DK	SIZE 15184-2,3	OWG NO. 1022536BA	REV A	
APPROVED BY	SCALE 1/2"=1'	DATE 12/14/20	REF JOB 13636	