

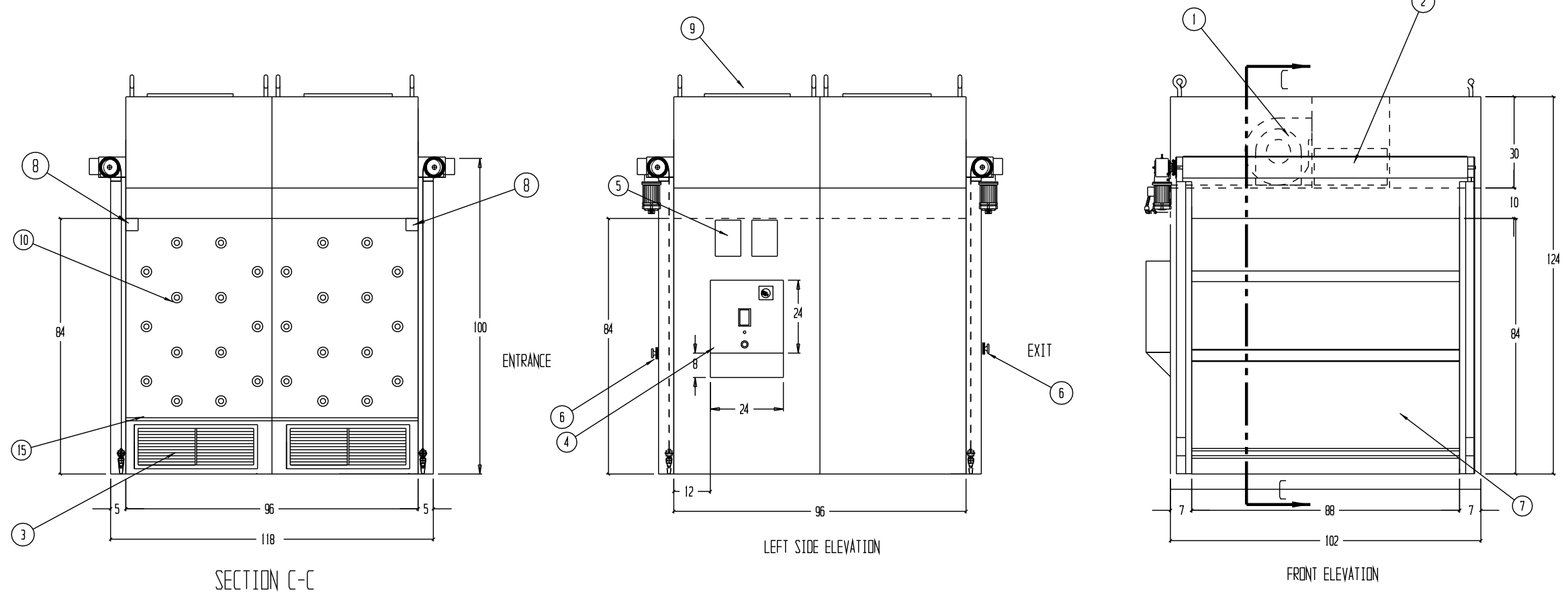
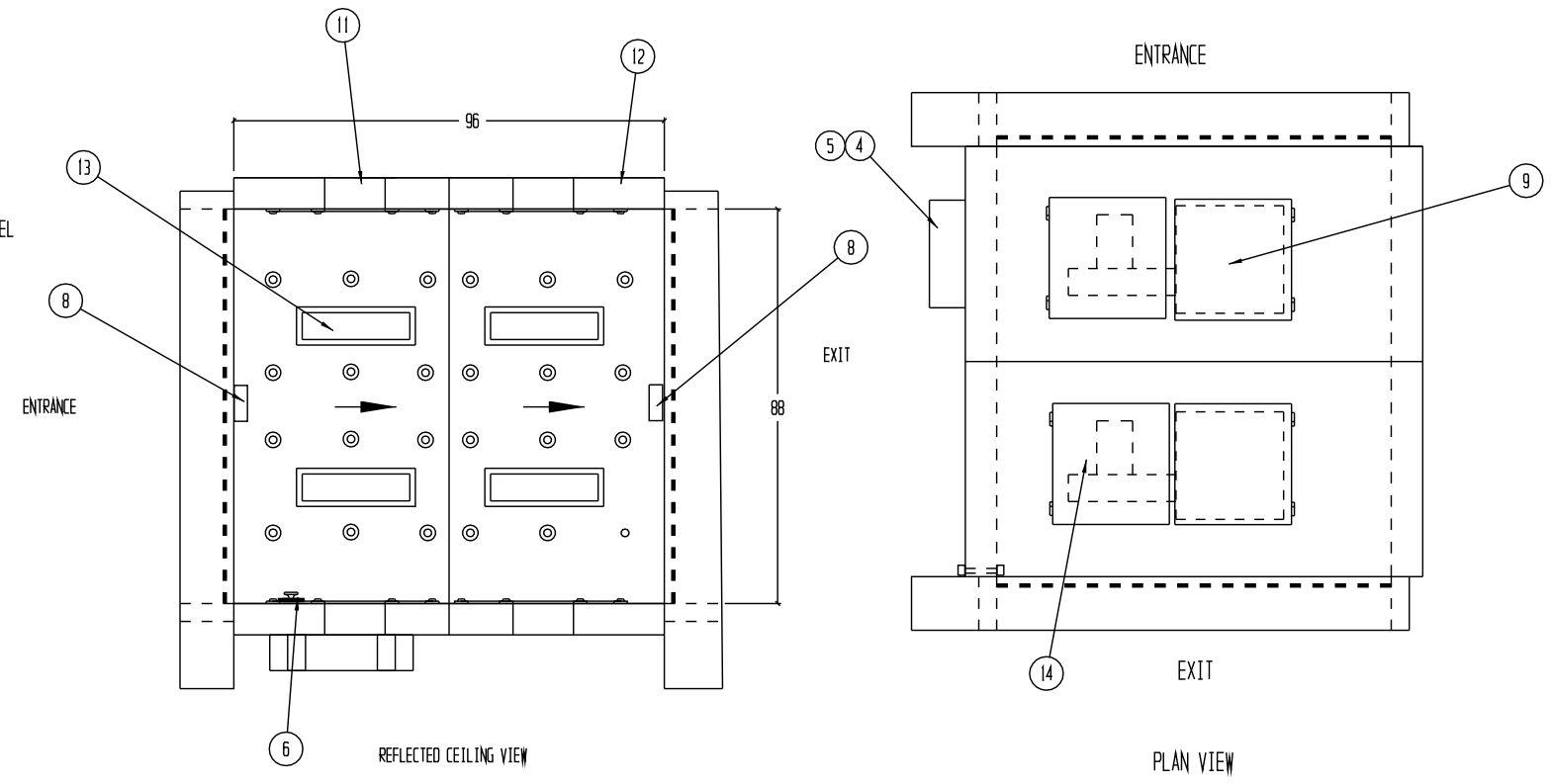
REVISIONS			
REV	DESCRIPTION	DATE	APPROVED

NOTES:

- INTERIOR & EXTERIOR CONSTRUCTED OF 16 GA. GALVANNEALED STEEL, PAINTED WHITE EPOXY
- ELECTRICAL WIRING TO CONFORM TO LATEST NEC STANDARDS
- CONTROLS ENCLOSURE TO BE LABELED PER UL508A
- CUSTOMER TO SUPPLY A SINGLE SOURCE, 460 VOLT, 3 PH, 60HZ, 23.5 FLA ELECTRICAL SERVICE AT PANEL
- UNIT TO MEET FEDERAL STANDARD 209B AND 209E FOR CLASS 100 DEVICES
- UNIT TO BE SHIPPED IN 4 PIECES, (2) BASES AND (2) BLOWER/FILTER SECTIONS WITH DOORS ASSEMBLIES SHIPPED LOOSE
- CLEAR DOOR WIDTH BETWEEN BUMPER @ 86"
- E-STOP WHEN DEPRESSED SHALL SHUTDOWN AIR SHOWER, OPEN BOTH DOORS AND SOUND AUDIBLE ALARM SYSTEM TO RESET WHEN E-STOP IS PULLED BACK OUT
- CONTROL BOX TO SHIP INSTALLED

**IMPORTANT  
CUSTOMER TO CONFIRM:**

- CLEAR DOOR OPENINGS OF NO LESS THAN 63" WIDE FROM UNLOADING SITE TO INSTALLATION SITE



- ① 2 EA. DIRECT DRIVE MOTOR/BLOWER 5 H.P. 460V/ 3PH/ 60HZ 6.1 FLA, CAPABLE OF PRODUCING 1800 CFM AT 4" S.P.
- ② 2 EA. 24 X 24 X 11 1/2 V-BANK FILTER. 99.99% EFFICIENT ON PARTICLES OF 0.3 MICRONS AND LARGER
- ③ 4 EA. 12 X 30 X 1" FLUSH PRE-FILTER GRILLS WITH 35% DISPOSABLE PRE-FILTERS
- ④ CONTROL ENCLOSURE WITH MOTOR CONTROLS PLC AND TRANSFORMERS, DOOR MOUNT DISCONNECT SWITCH, MASTER E-STOP, EMERGENCY INDICATOR, AUDIBLE ALARM AND INTERFACE PANEL
- ⑤ 2 EA. ROLL UP DOOR CONTROL PANEL
- ⑥ EMERGENCY STOP BUTTON (MUSHROOM TYPE 4 EA)
- ⑦ HIGH SPEED ROLL-UP DOORS
- ⑧ 2 EA. INFARED PRESENCE SENSORS
- ⑨ HINGED SERVICE PANEL FOR HEPA FILTER CHANGE
- ⑩ 80 EA. HIGH VELOCITY ADJUSTABLE PVC AIR NOZZLES
- ⑪ RETURN AIR DUCTS
- ⑫ SUPPLY AIR DUCTS
- ⑬ 4 EA. FLUORESCENT LIGHT FIXTURE, WITH (2) 20W COOL WHITE LAMPS
- ⑭ HINGED SERVICE PANELS FOR MOTOR
- ⑮ 1" PVC WALL BUMPER AT 17" AFF

1 UNIT AS SHOWN  
TAG: CART WASHER 600

DRAWN FOR		<b>HALCO PRODUCTS CO.</b> 100 NO. GORDON STREET ELK GROVE, IL. 60007			
		TITLE AIR SHOWER MODEL : AS887-ST/PLC/AD/NF/SP			
DRAWN BY	TM	SIZE	JOB NO. _____	DWG NO.	1017545BA
APPROVED BY		SCALE	3/16"=1'-0"	DATE	1-14-13
		SHEET	REF: 12878		