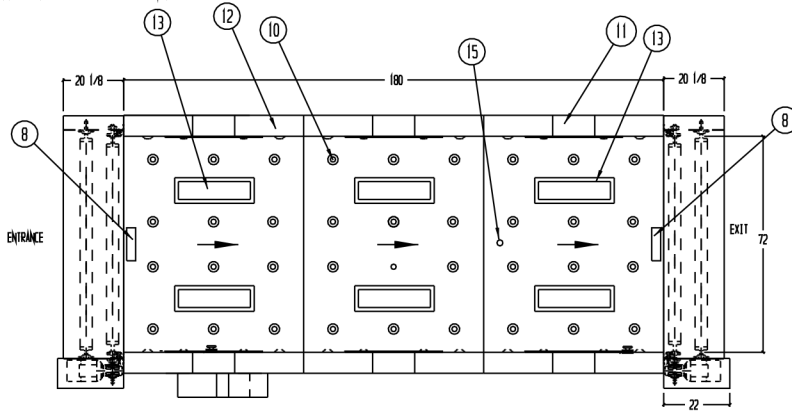
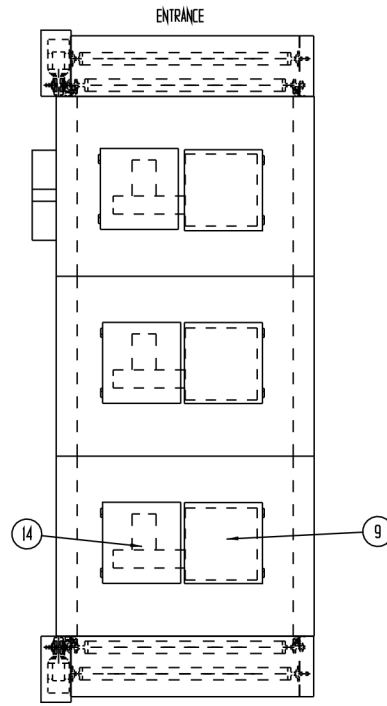


- NOTES:
- INTERIOR & EXTERIOR CONSTRUCTED OF 16 GA. GALVANNEALED STEEL, PAINTED WHITE EPOXY
 - ELECTRICAL WIRING TO CONFORM TO LATEST NEC STANDARDS
 - CONTROLS ENCLOSURE TO BE LABELED PER UL508A
 - AIR SHOWER POWER REQUIREMENT 460 VOLT, 3 PHASE, 60 HERTZ, 32.6 FULL LOAD AMPS
 - RECOMMENDED MINIMUM BREAKER SIZE OF 60 AMPS
 - UNIT TO MEET FEDERAL STANDARD 208B AND 209E FOR CLASS 100 DEVICES
 - UNIT TO BE SHIPPED KNOCKED DOWN IN 12 PIECES WITH DOORS ASSEMBLIES SHIPPED LOOSE
 - CLEAR DOOR @ 72" WIDE X 100" HIGH

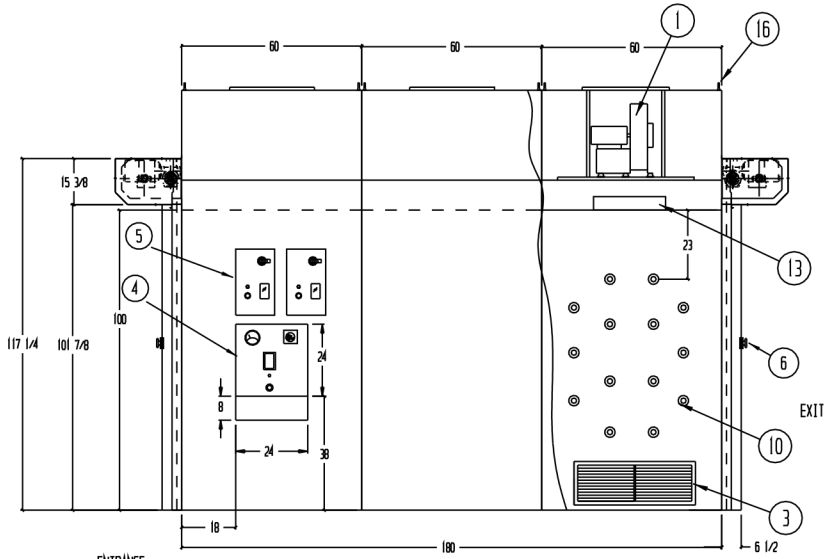
- E-STOP WHEN DEPRESSED SHALL SHUTDOWN AIR SHOWER, OPEN BOTH DOORS AND SOUND AUDIBLE ALARM SYSTEM TO RESET WHEN E-STOP IS PULLED BACK OUT
- CONTROL BOX TO SHIP INSTALLED
- WALL NOZZLES TO START 23" DOWN FROM CEILING
- UNIT PROVIDED WITH TERMINAL CONNECTION FOR FIRE ALARM SHUTDOWN FROM FORM C CONTACT (BY OTHERS)



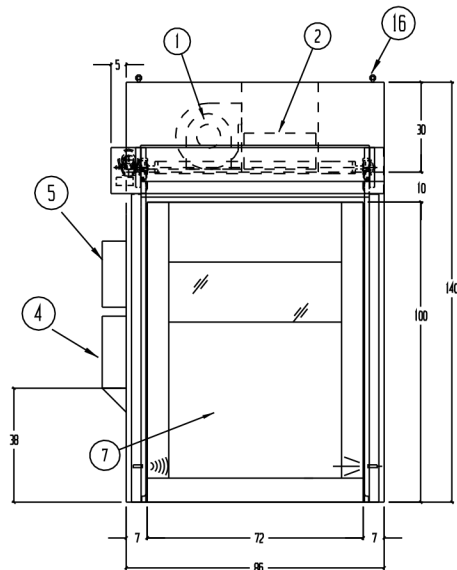
REFLECTED CEILING VIEW



PLAN VIEW



RIGHT SIDE ELEVATION



EXIT ELEVATION

**IMPORTANT
CUSTOMER TO CONFIRM:**

- CLEAR DOOR OPENINGS OF NO LESS THAN 63" WIDE FROM UNLOADING SITE TO INSTALLATION SITE

- 3 EA. DIRECT DRIVE MOTOR/BLOWER 5 H.P., 460V/ 3PH/ 60HZ 6.1 FLA, CAPABLE OF PRODUCING 1800 CFM AT 4" S.P.
- 3 EA. 24 X 24 X 11 1/2 V-BANK FILTER, 99.99% EFFICIENT ON PARTICLES OF 0.3 MICRONS AND LARGER
- 6 EA. 12 X 30 X 1" FLUSH PRE-FILTER GRILLS WITH 35% DISPOSABLE PRE-FILTERS
- CONTROL ENCLOSURE WITH MOTOR CONTROLS PLC AND TRANSFORMERS, DOOR MOUNT DISCONNECT SWITCH, MASTER E-STOP, EMERGENCY INDICATOR, AUDIBLE ALARM, INTERFACE PANEL & MAGNETIC GAUGE FOR HEPA
- 2 EA. ROLL UP DOOR CONTROL PANEL
- EMERGENCY STOP BUTTON (MUSHROOM TYPE 4 EA)
- HIGH SPEED ROLL-UP DOORS
- 2 EA. INFARED PRESENCE SENSORS
- HINGED SERVICE PANEL FOR HEPA FILTER CHANGE
- 120 EA. HIGH VELOCITY ADJUSTABLE PVC AIR NOZZLES
- RETURN AIR DUCTS
- SUPPLY AIR DUCTS
- 6 EA. FLUORESCENT LIGHT FIXTURE, WITH (2) 20W COOL WHITE LAMPS
- HINGED SERVICE PANELS FOR MOTOR
- SEALED SLEEVE FOR SPRINKLER, PIPE & HEAD BY OTHERS
- 1/2-13 EYE HOOKS FOR RIGGING TOP SECTIONS INTO PLACE

1 UNIT AS SHOWN
TAG: FORK LIFT

		REVISIONS	
REV	DESCRIPTION	DATE	APPROVED
A	CHANGES PER APPROVAL/ENG REVIEW	11/27/13	
B	AS-BUILT	1/9/14	SM

DRAWN FOR		HALCO PRODUCTS CO. 100 NO. GORDON STREET ELK GROVE, IL. 60007		
		TITLE AIR SHOWER MODEL : AS6159-ST/PLC/AD/KD		
DRAWN BY	TM	SIZE	JOB NO. 13230-3	ENG NO. 101788988
APPROVED BY		SCALE	3/16"=1'-0"	DATE 10-9-13
				REV B SHEET