

REVISIONS

DATE

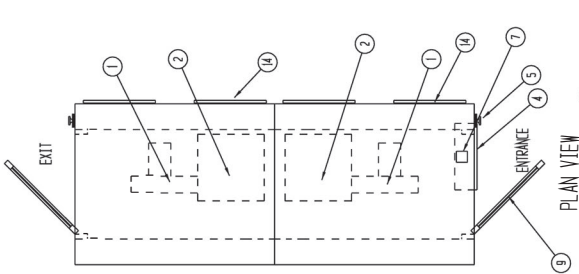
APPROVED

REV

DESCRIPTION

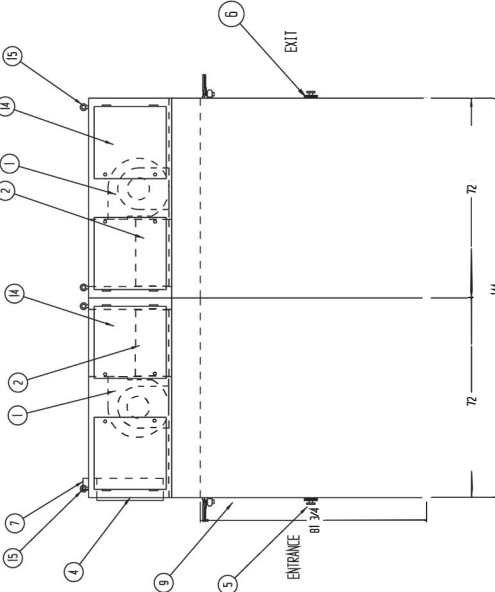
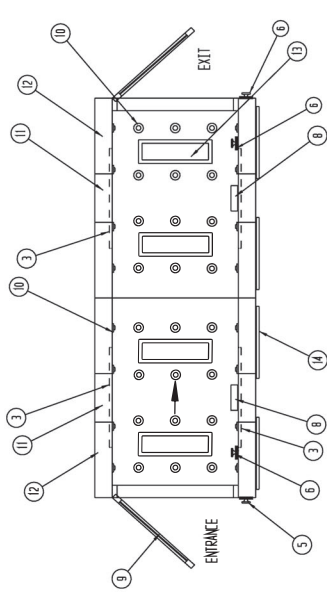
NOTES:

- CONSTRUCTION TO BE 16 GA. GALVANNEALED STEEL COATED WITH WHITE EPOXY PAINT
- ELECTRICAL WIRING TO CONFORM TO LATEST NEC/CSA STANDARDS
- CONTROL'S ENCLOSURE TO BE UL LABELED PER UL 508A STANDARDS
- CUSTOMER TO SUPPLY A SINGLE SOURCE 480 VOLT 3 PHASE/ 60 HZ ELECTRICAL SERVICE. UNIT DRAWS 15.5 FLA
- UNIT TO MEET ISO 14644-1 FOR CLASS 5 DEVICES
- UNIT TO BE SHIPPED IN FOUR SECTIONS
- NO FLOOR
- SILICONE AND LATEX CAULKING TO BE USED TO SEAL JOINTS

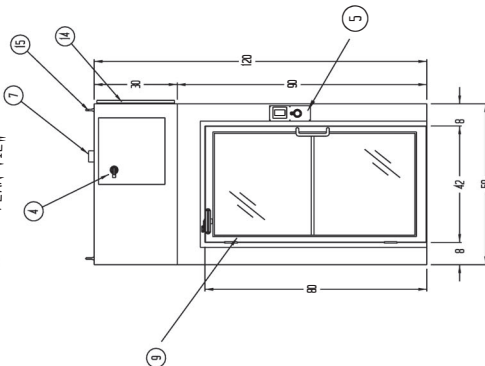


PLAN VIEW

REFLECTED CEILING VIEW



RIGHT SIDE ELEVATION



FRONT ELEVATION (ENTRANCE)

- 1 2 EA. DIRECT DRIVE MOTOR/BLOWER 5 H.P. 480V/ 3PH/ 60HZ, 6.4 FLA EACH CAPABLE OF PRODUCING 1850 CFM AT 4" S.P.
- 2 2 EA. 24" X 24" X 11-1/2" HEPA FILTER. 99.98% EFFICIENT ON PARTICLES OF 0.3 MICRONS IN SIZE
- 3 4 EA. 12" X 36" PRE-FILTER GRILLES WITH 1" THICK, 35% EFFICIENT DISPOSABLE PRE-FILTERS
- 4 ELECTRONIC CONTROLS ENCLOSURE
- 5 PLC CONTROL PANEL WITH TOUCHSCREEN HMI, AUDIBLE ALARM, AND EMERGENCY STOP BUTTON
- 6 3 EA. EMERGENCY STOP BUTTONS
- 7 ELECTRICAL JUNCTION BOX FOR CUSTOMER CONNECTION
- 8 2 EA. INTERIOR PRESENCE SENSORS
- 9 ANODIZED ALUMINUM NARROW STYLE DOORS AND FRAMES WITH 1/4" THICK ACRYLIC INSERTS, SELF CLOSERS AND ELECTROMAGNETIC FAIL SAFE DOOR LOCKS
- 10 80 EA. HIGH VELOCITY ADJUSTABLE AIR NOZZLES
- 11 RETURN AIR DUCTS
- 12 SUPPLY AIR DUCTS
- 13 4 EA. LED LIGHT FIXTURES, CAPABLE OF PRODUCING 60 FC AT 40' AFF
- 14 4 EA. HINGED SERVICE ACCESS DOORS
- 15 8 EA. BLOWER SECTION LIFTING EYEBOULDS

IMPORTANT

CUSTOMER TO CONFIRM:

- DOOR SIZES AND DIRECTION OF SWING
- ENTRANCE AND EXIT SIDES AND DIRECTION OF OPERATION
- SERVICE ACCESS PANEL LOCATION
- AVAILABILITY OF ELECTRICAL SERVICE REQUIRED
- ELECTRICAL SERVICE CONNECTION POINT
- OVERALL SIZE OF UNIT OR SECTIONS
- CLEAR DOOR OPENINGS OF NO LESS THAN 60" WIDE FROM INCLUDING SITE TO INSTALLATION SITE

1 UNIT REQUIRED AS SHOWN

DRAWN FOR

HALCO PRODUCTS CO

AS4127-ST/PLC/NF

TITLE

JOB NO. 15320

DATE 4/16/21

SCALE 1/4"=1'-0"

REV

102385980

DK

APPROVED BY

REF. DB: 14684