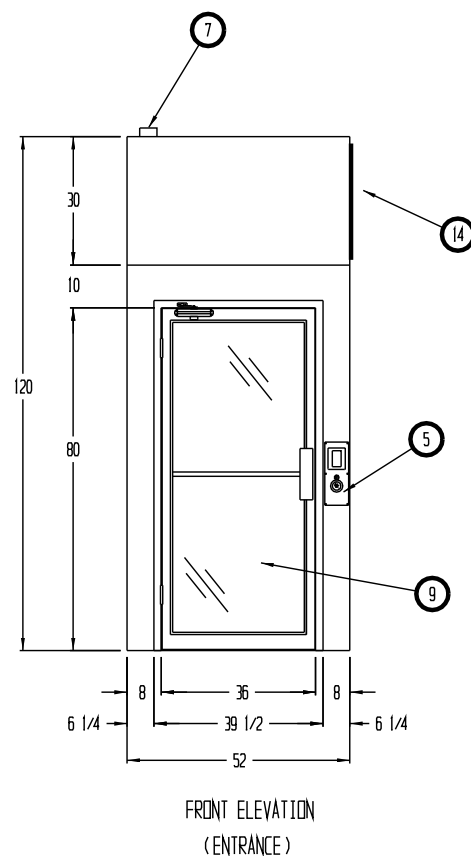
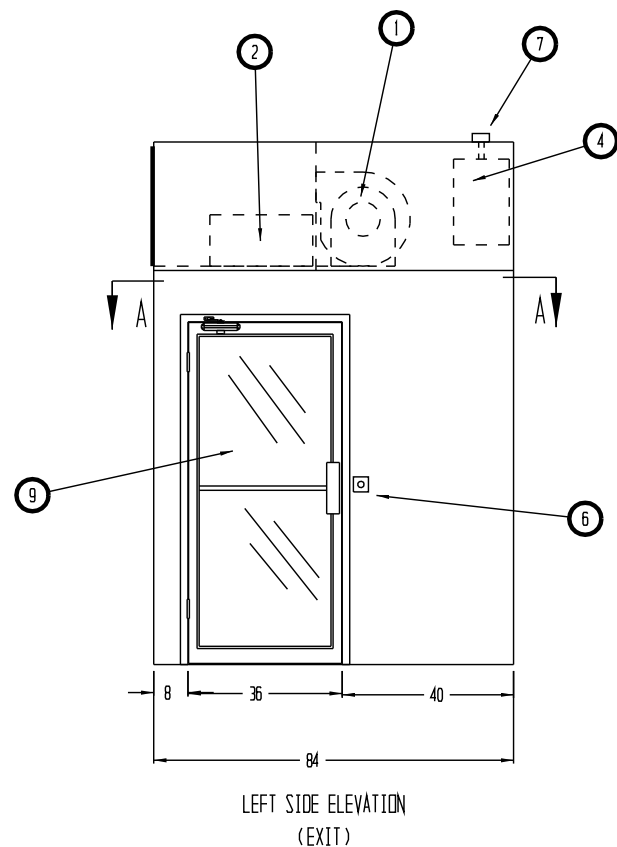
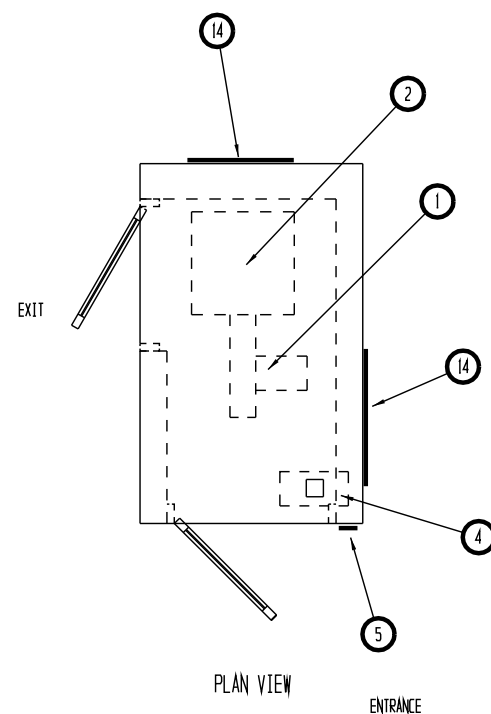
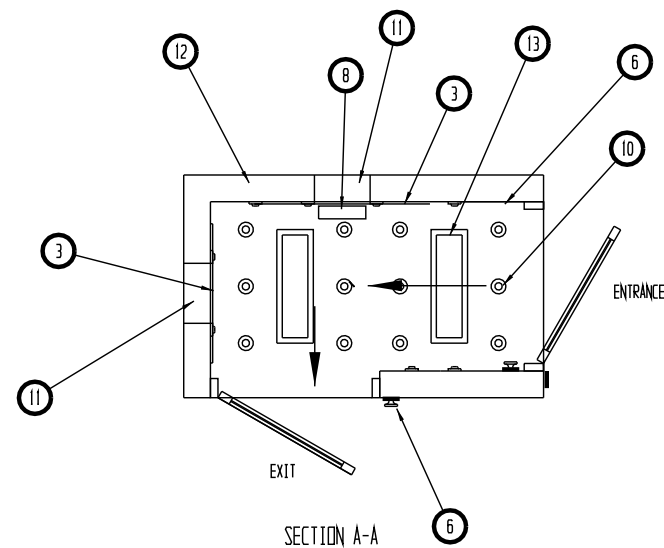


REVISIONS			
REV	DESCRIPTION	DATE	APPROVED



NOTES:

- CONSTRUCTION TO BE 16 GA. GALVANNEALED STEEL, PAINTED WHITE EPOXY
- ELECTRICAL WIRING TO CONFORM TO LATEST NEC STANDARDS
- CUSTOMER TO SUPPLY A SINGLE SOURCE, 60 VOLT/3 PH, 60 HZ, ELECTRICAL SERVICE
- UNIT TO MEET OR EXCEED ISO STANDARD 14644-1
- UNIT TO BE SHIPPED IN TWO PIECES (1 BASE SECTION AND 1 BLOWER/FILTER SECTION)
- NO FLOOR
- UNIT SHIPPED WITHOUT HEPA FILTER, FILTER SUPPLIED & INSTALLED BY AAF

**IMPORTANT
CUSTOMER TO CONFIRM:**

- DOOR SIZES AND DIRECTION OF SWING
- ENTRANCE AND EXIT SIDES AND DIRECTION OF OPERATION
- SERVICE ACCESS PANEL LOCATION
- AVAILABILITY OF ELECTRICAL SERVICE REQUIRED
- ELECTRICAL SERVICE CONNECTION POINT
- OVERALL SIZE OF UNIT OR SECTIONS
- CLEAR DOOR OPENINGS OF NO LESS THAN 54" WIDE FROM UNLOADING SITE TO INSTALLATION SITE

- ① 1 EA. DIRECT DRIVE MOTOR/BLOWER 5 H.P. CAPABLE OF PRODUCING 1820 CFM AT 4" S.P.
- ② 1 EA. 24 X 24 X 11 1/2 HEPA FILTER. 99.99% EFFICIENT ON PARTICLES OF 0.3 MICRONS AND LARGER
- ③ 1 EA. 36 X 12 X 1" & 1 EA. 30 X 12 X 1" PAINTED STEEL PRE-FILTER GRILLES WITH 35% EFFICIENT DISPOSABLE PRE-FILTERS
- ④ ELECTRONIC CONTROLS ENCLOSURE
- ⑤ PLC TOUCHSCREEN CONTROL PANEL WITH EMERGENCY STOP BUTTON AND SYSTEM RESET BUTTON
- ⑥ 2 EACH EMERGENCY STOP BUTTON
- ⑦ ELECTRICAL JUNCTION BOX FOR CUSTOMER CONNECTION
- ⑧ INFRARED PRESENCE SENSOR
- ⑨ ANODIZED ALUMINUM NARROW STILE DOORS AND FRAMES WITH 1/4" THK. ACRYLIC INSERTS
- ⑩ 40 EA. HIGH VELOCITY ADJUSTABLE AIR NOZZLES
- ⑪ RETURN AIR DUCTS
- ⑫ SUPPLY AIR DUCTS
- ⑬ 2 EA. FLUORESCENT LIGHT FIXTURE, CAPABLE OF PRODUCING 60 FC AT 40" AFF
- ⑭ HINGED ACCESS PANELS

DRAWN FOR AMERICAN AIR FILTER COLUMBIA, MD	HALCO PRODUCTS CO.			
	100 NO. GORDON STREET ELK GROVE, IL. 60007			
	TITLE AIR SHOWER - AS377 L/PLC/NF/ST			
DRAWN BY TM	SIZE	JOB NO. 13307	DWG NO. 101807280	REV
APPROVED BY	SCALE 1/2"=1'-0"	DATE 2-13-14	SHEET	