

REV		DESCRIPTION		DATE	
A		CHANGES FOR APPROVAL		2/10/12	

REV		DESCRIPTION		DATE	
A		CHANGES FOR APPROVAL		2/10/12	

**NOTES:**

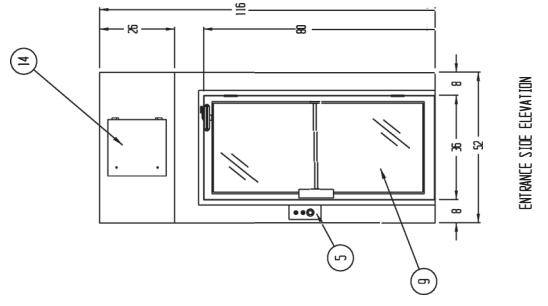
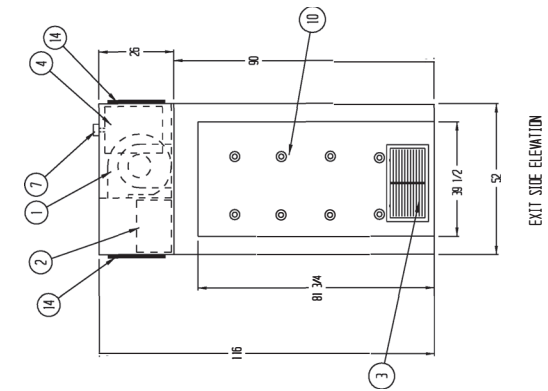
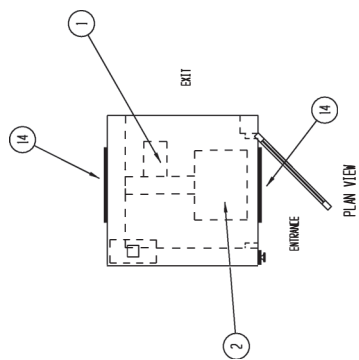
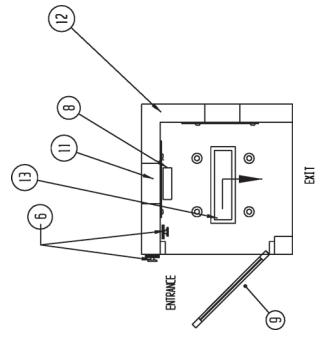
- CONSTRUCTION TO BE 16 GA. WHITE EPOXY PAINTED STEEL
- ELECTRICAL WIRING TO CONFORM TO LATEST NEC STANDARDS
- CUSTOMER TO SUPPLY A SINGLE SOURCE 208V/3PH/60 HZ ELECTRICAL SERVICE
- UNIT TO MEET OR EXCEED FEDERAL STANDARD 209B AND 209E FOR CLASS 100 DEVICES
- NO FLOOR
- UNIT PROVIDED DOOR LOCK WITH STATUS SWITCH & WIRING HARNESS FOR FIELD ATTACHMENT TO EXISTING EXIT DOOR AND E-STOP WITH PLATE
- CONTROLS ENCLOSURE TO BE CUL LABELED

- 1 EA. DIRECT DRIVE MOTOR/BLOWER 2 H.P., 208V/3PH/60HZ, CAPABLE OF PRODUCING 1000 CFM AT 4" S.P.
- 1 EA. 18 X 24 X 11 1/2 HEPA FILTER, 99.99% EFFICIENT ON PARTICLES OF 0.3 MICRONS AND LARGER
- 2 EA. 12 X 24 ANODIZED ALUMINUM PRE-FILTER GRILLES WITH 1" THK., 35% EFFICIENT DISPOSABLE PRE-FILTERS
- ELECTRONIC CONTROLS ENCLOSURE
- LIGHT SWITCH AUDIBLE ALARM AND EMERGENCY STOP BUTTON
- EMERGENCY STOP BUTTON (MUSHROOM TYPE)
- ELECTRICAL JUNCTION BOX FOR CUSTOMER CONNECTION
- PROXIMITY SENSOR
- ANODIZED ALUMINUM NARROW STILE DOOR AND FRAME WITH 1/4" THK. ACRYLIC INSERTS
- 20 EA. HIGH VELOCITY ADJUSTABLE AIR NOZZLES
- RETURN AIR DUCTS
- SUPPLY AIR DUCTS
- 1 EA. I.E.D LIGHT FIXTURE, CAPABLE OF PRODUCING 60 FT. AT 40" AFF
- HINGED SERVICE PANELS
- 1 EA. MAG LOCKS AND 1 EA. E-STOP TO SHIP LOOSE

**IMPORTANT  
CUSTOMER TO CONFIRM:**

- DOOR SIZES AND DIRECTION OF SWING
- ENTRANCE AND EXIT SIDES AND DIRECTION OF OPERATION
- SERVICE ACCESS PANEL LOCATION
- AVAILABILITY OF ELECTRICAL SERVICE REQUIRED
- ELECTRICAL SERVICE CONNECTION POINT
- OVERALL SIZE OF UNIT OR SECTIONS
- CLEAR DOOR OPENINGS OF NO LESS THAN 54" WIDE FROM UNLOADING SITE TO INSTALLATION SITE
- UNIT HAS TOGGLE SWITCHES IN CONTROLS ENCLOSURE TO CHANGE DOOR DIRECTION AND CYCLE TIME (30, 45, 60 SECONDS)

(1) UNIT REQUIRED, AS SHOWN



DRAWN FOR		TITLE	
SIZE		JOB NO.	
SCALE		DATE	
DRAWN BY		DATE	
APPROVED BY		SHEET	

**Halco** **HALCO PRODUCTS CO.**  
 100 NO. GORDON STREET ELK GROVE, IL. 60007

AS337L-ST/PLC/NF/SP

12863 1017093BA

1/4"=1'-0" 2-8-12

REV	DATE
A	