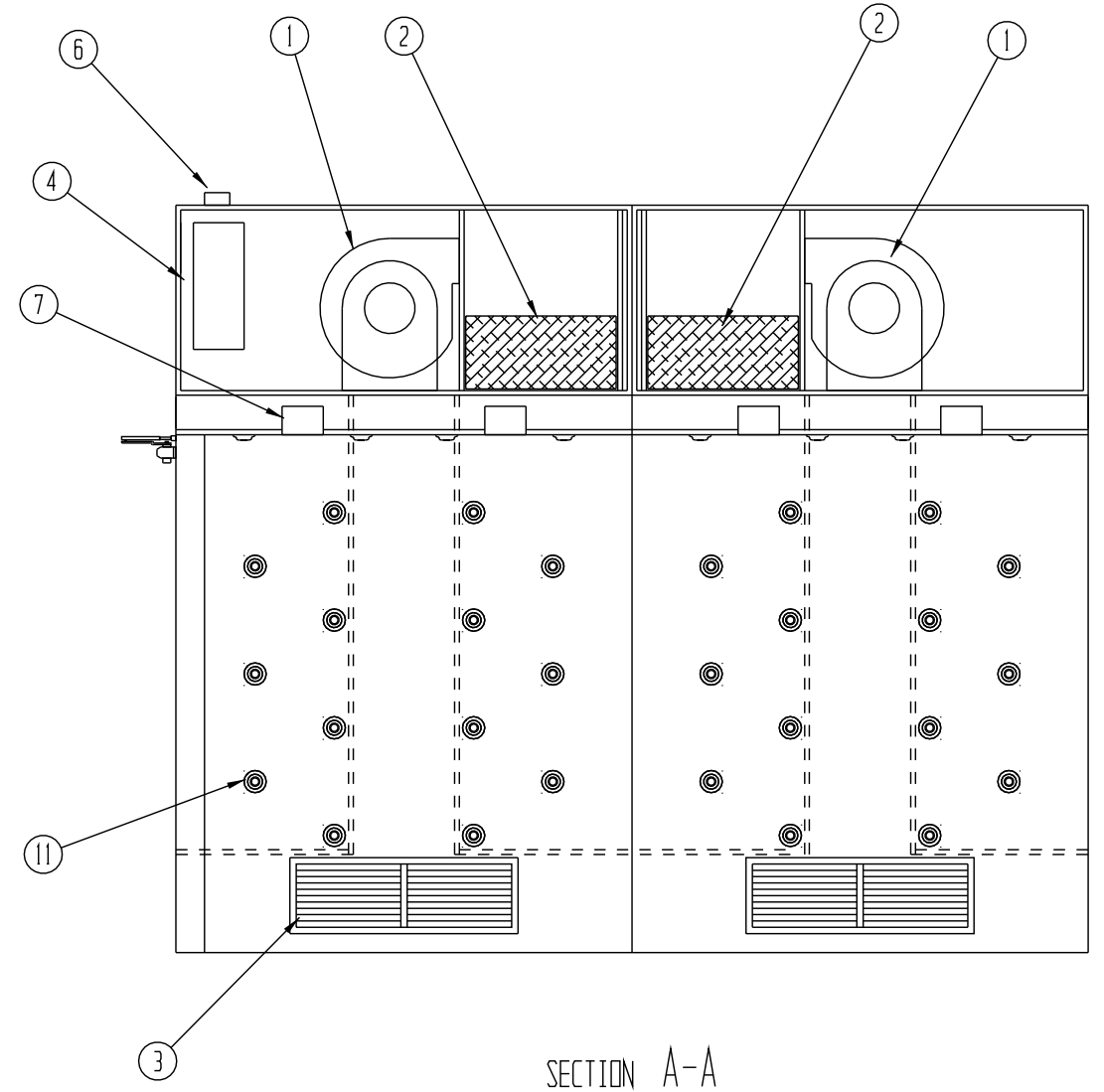
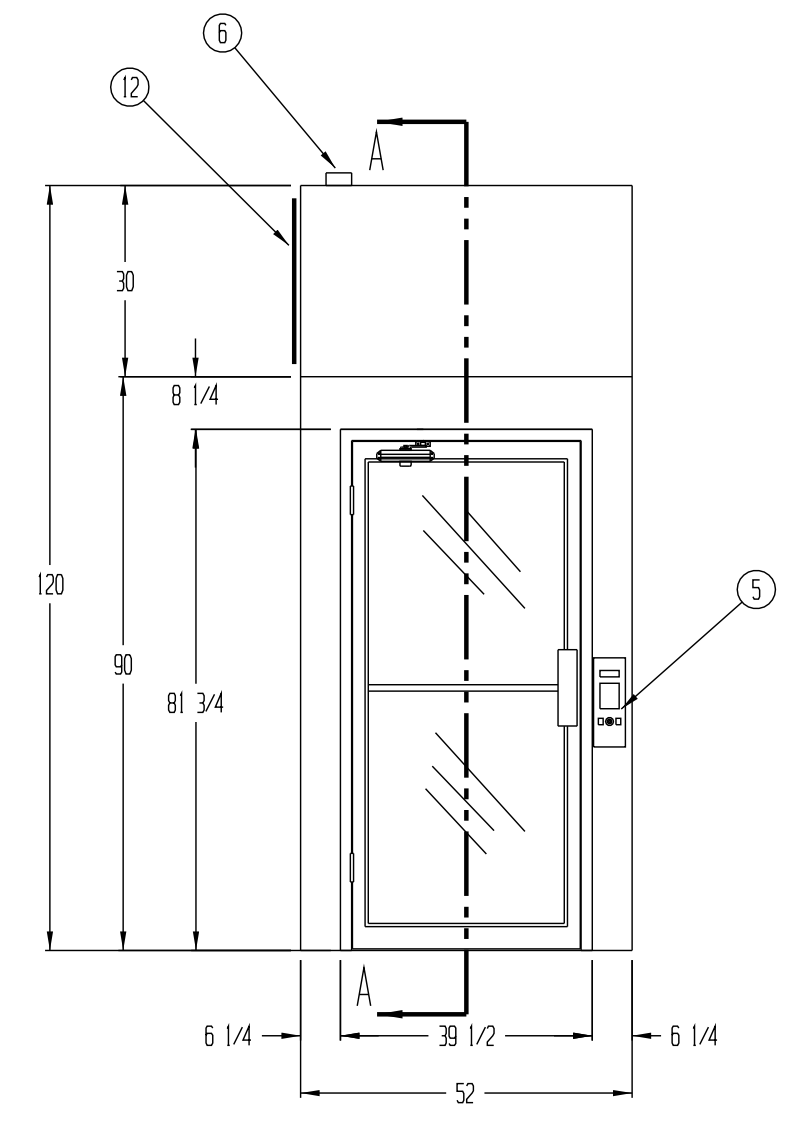
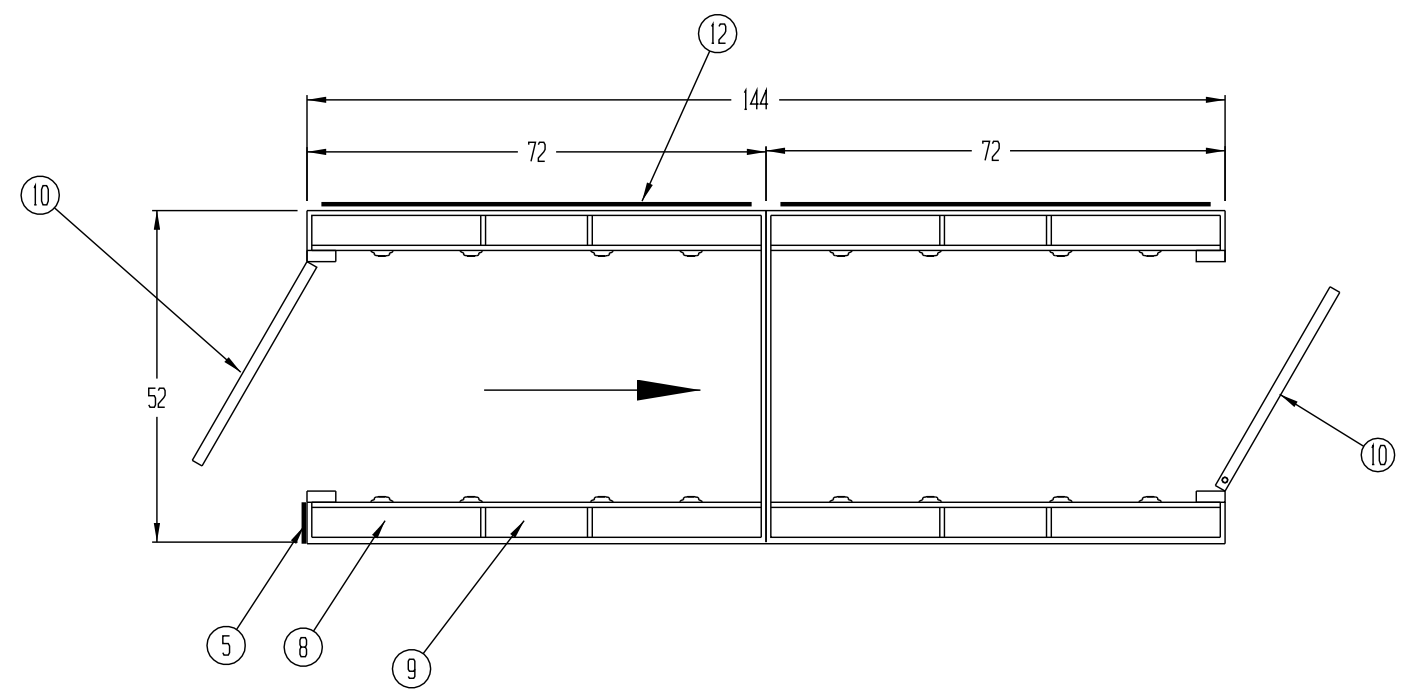


REVISIONS			
REV	DESCRIPTION	DATE	APPROVED

- NOTES:
- AIR SHOWER TO BE CONSTRUCTED OF 16 GA. GALVANNEALED STEEL
 - INTERIOR & EXTERIOR SURFACES TO BE WHITE EPOXY PAINTED
 - AIR SHOWER TO MEET LATEST NEC CODES
 - AIR SHOWER TO MEET FEDERAL STANDARD 209B AND 209E
 - NO SILICONE BASED PRODUCTS TO BE USED IN ASSEMBLY



- ① 2 EA. DIRECT DRIVE MOTOR/BLOWER 5 HP. 460 VOLT/3 PHASE/ 60 CYCLE/8.0 FLA EACH CAPABLE OF PRODUCING 1820 CFM AT 2" SP.
- ② 2 EA. 24" X 24" X 11 1/2" 95% ASHRAE HIGH CAPACITY FILTER
- ③ 4 EA. 36" X 12" X 1" ANODIZED ALUMINUM PRE-FILTER GRILLS WITH DISPOSABLE PRE-FILTERS
- ④ ELECTRONIC CONTROLS ENCLOSURE
- ⑤ CONTROL PANEL WITH KEYED CONTROLS AND LIGHT SWITCH, SYSTEM ON INDICATOR LIGHT
- ⑥ ELECTRICAL JUNCTION BOXES FOR CUSTOMER CONNECTION
- ⑦ 4 EA. FLUORESCENT LIGHT FIXTURES CAPABLE OF PRODUCING 100 FC.
- ⑧ SUPPLY AIR DUCTS
- ⑨ RETURN AIR DUCTS
- ⑩ ANODIZED ALUMINUM DOORS AND FRAMES WITH 1/4" CLEAR ACRYLIC GLASS GLAZING
- ⑪ 80 HIGH VELOCITY ADJUSTABLE AIR NOZZLES
- ⑫ HINGED SERVICES ACCESS PANELS

SECTION A-A

DRAWN FOR		HALCO PRODUCTS CO. 100 NO. GORDON STREET ELK GROVE, IL. 60007			
		TITLE AS3127-ST/SP AIR SHOWER			
DRAWN BY	DK	SIZE	JOB NO.	DWG NO.	REV
APPROVED BY	TM	SCALE	3/4" = 1'-0"	DATE	2/6/03
				1012379BHALCO	SHEET