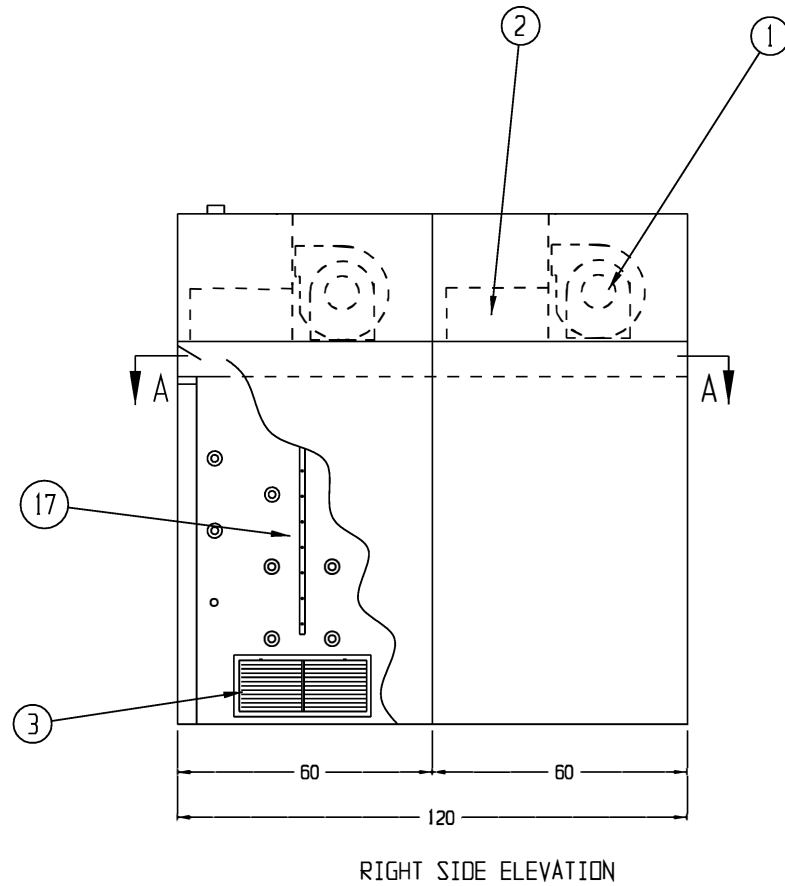
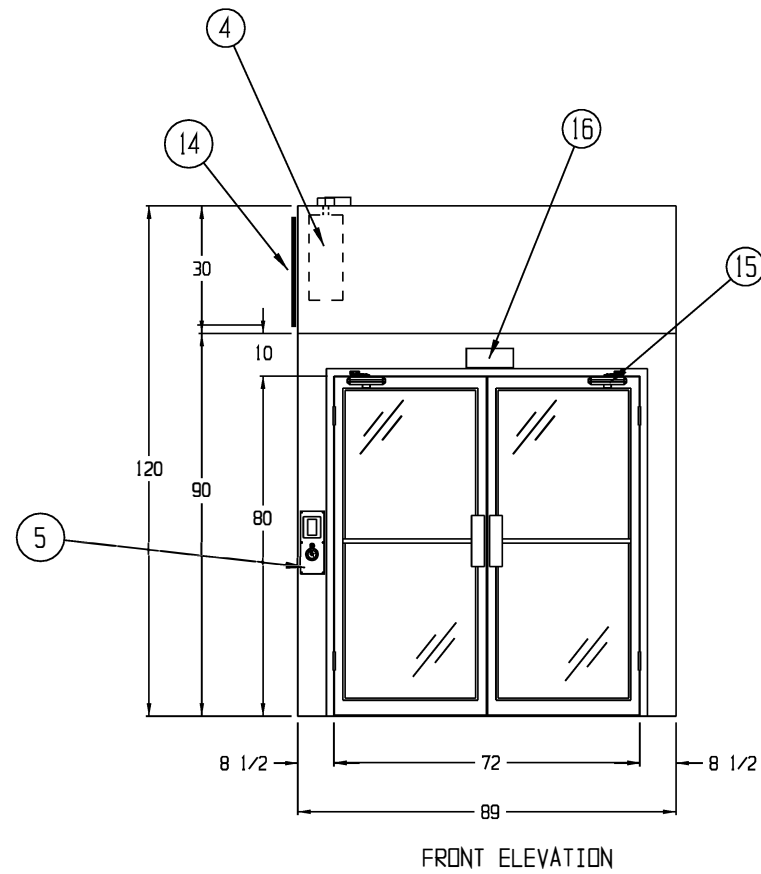
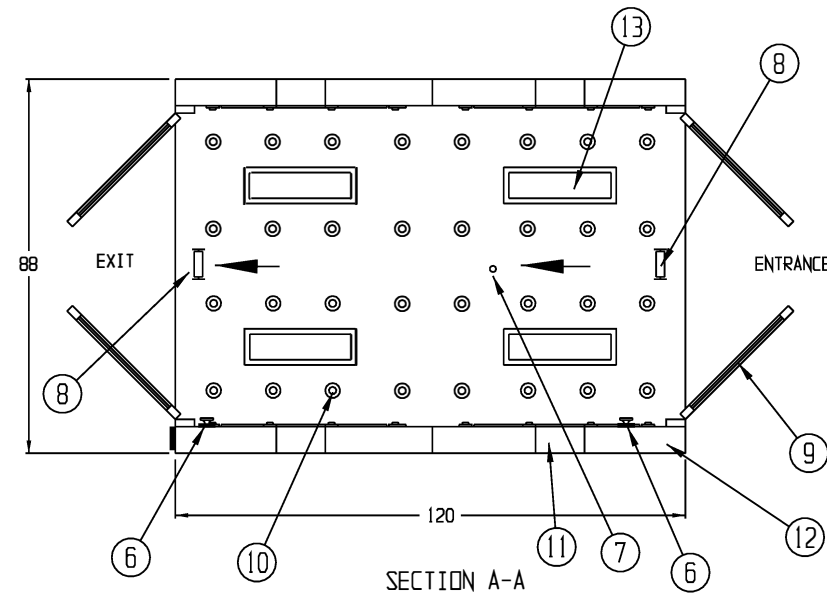
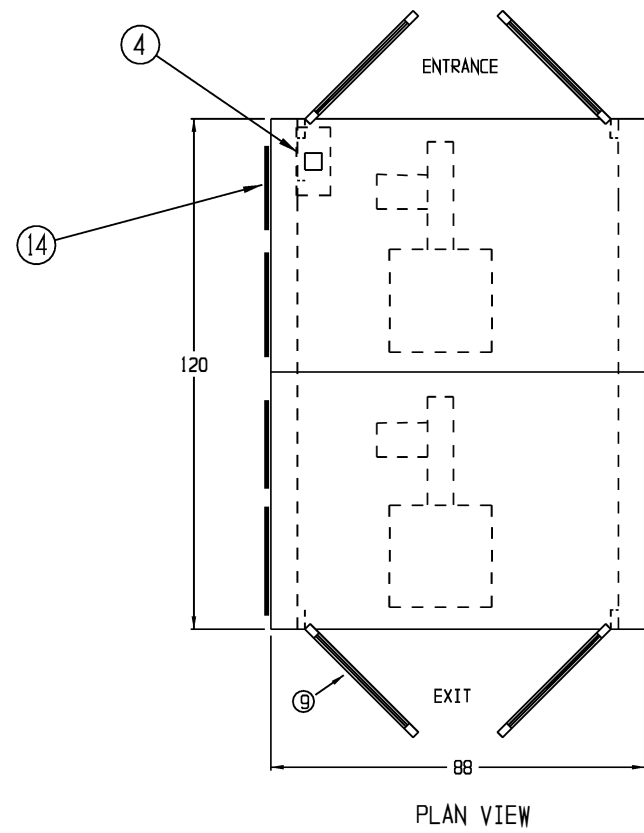


REVISIONS			
REV	DESCRIPTION	DATE	APPROVED



NOTES:

- CONSTRUCTION TO BE OF 16 GA PAINTED STEEL (WHITE)
- ELECTRICAL WIRING TO CONFORM TO LATEST NEC STANDARDS
- CUSTOMER TO SUPPLY A SINGLE SOURCE, 460V / 3PH / 60HZ ELECTRICAL SERVICE
- UNIT TO MEET ISO STD. 14644-5 (FED. STD. 209E FOR CLASS 100 DEVICES)
- UNIT TO BE SHIPPED IN FOUR SECTIONS ( 2 BASE SECTIONS AND 2 BLOWER/FILTER SECTIONS)

- 2 EA. DIRECT DRIVE MOTOR/BLOWER 5 HP, 460 VOLT/ 3PH/ 60HZ, 6.4 FLA, CAPABLE OF PRODUCING 4000 CFM AT 2" S.P.
- 2 EA. 24 X 24 X 11 1/2 HEPA FILTER. 99.99% EFFICIENT ON PARTICLES OF 0.3 MICRONS AND LARGER
- 4 EA. 12 X 36 X 1" ANODIZED ALUMINUM PRE-FILTER GRILLES WITH 35% EFFICIENT DISPOSABLE PRE-FILTERS
- ELECTRONIC CONTROLS ENCLOSURE
- PLC CONTROL PANEL WITH TOUCH SCREEN DISPLAY AUDIBLE ALARM & EMERGENCY STOP BUTTON
- EMERGENCY STOP BUTTON
- HOLE FOR SPRINKLER DROP (1-1/2" O.D.)
- ACTIVE INFRARED PRESENCE SENSOR TO ACTUATE AIR SHOWER
- ANODIZED ALUMINUM NARROW STILE DOORS AND FRAMES WITH 1/4" THK, CLEAR ACRYLIC INSERTS
- 80 EA. HIGH VELOCITY ADJUSTABLE AIR NOZZLES
- RETURN AIR DUCTS
- SUPPLY AIR DUCTS
- 4 EA. LED LIGHT FIXTURES, 2-TUBE 20W
- HINGED SERVICE PANELS
- DOOR CLOSERS ( HOLD OPEN TYPE FOR ALL DOORS)
- 2 EA. LOCK ACCESS PLATES
- IONIZATION W/ 4 EA DC PULSE BARS & CONTROLLER

**IMPORTANT  
CUSTOMER TO CONFIRM:**

- DOOR SIZES AND DIRECTION OF SWING
- ENTRANCE AND EXIT SIDES AND DIRECTION OF OPERATION
- SERVICE ACCESS PANEL LOCATION AND SWING
- AVAILABILITY OF ELECTRICAL SERVICE REQUIRED
- ELECTRICAL SERVICE CONNECTION POINT
- OVERALL SIZE OF UNIT OR SECTIONS
- CLEAR DOOR OPENINGS OF NO LESS THAN 72" WIDE FROM UNLOADING SITE TO INSTALLATION SITE

DRAWN FOR		<b>HALCO PRODUCTS CO.</b> 100 NO. GORDON STREET ELK GROVE, IL. 60007 TITLE AIR SHOWER AS 810-7 PLC/NF/IB/STD			
PESA ENTERPRISES					
DRAWN BY	TM	SIZE	JOB NO.	DWG NO.	REV
APPROVED BY		SCALE	13205	1017850B0-A	
		1/4"=1'-0"	DATE	9-9-13	SHEET