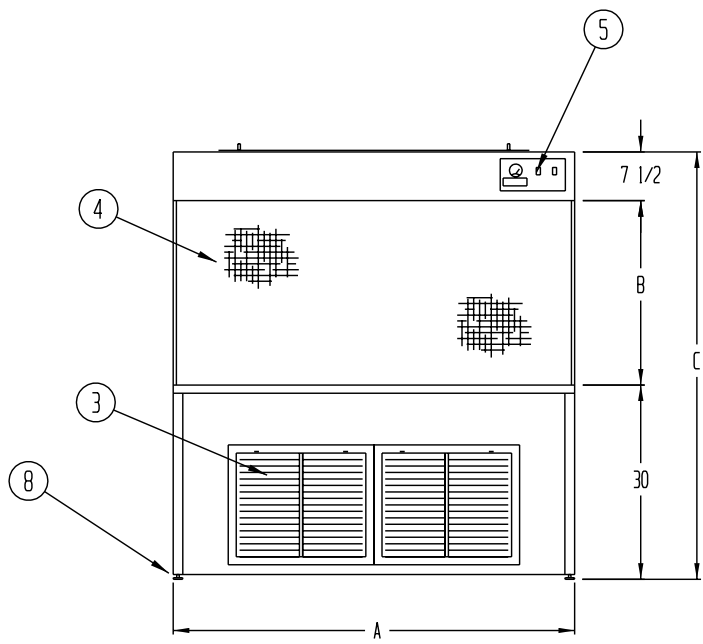
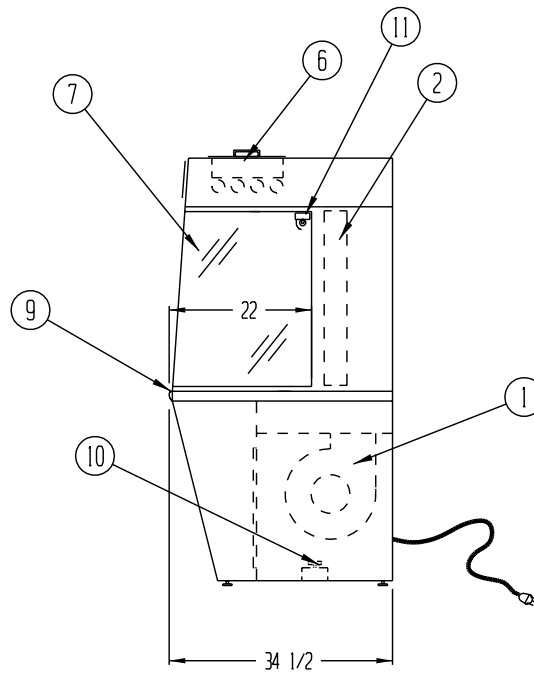


REVISIONS			
REV	DESCRIPTION	DATE	APPROVED



FRONT VIEW



SIDE VIEW

LEGEND

- ① DIRECT DRIVE MOTOR/BLOWER
- ② 99.99% HEPA OR 99.9995% ULPA FILTER
- ③ ANODIZED ALUMINUM PRE-FILTER GRILLES WITH 35% EFFICIENT DISPOSABLE PRE-FILTERS
- ④ ANODIZED ALUMINUM HEPA FILTER PROTECTIVE SCREEN
- ⑤ CONTROL PANEL WITH MINIHELIC GAUGE AND CONTROL SWITCHES
- ⑥ REMOVABLE LIGHT FIXTURE CAPABLE OF PRODUCING 100 F.C.
- ⑦ CLEAR ACRYLIC SIDE PANELS
- ⑧ LEG LEVELERS
- ⑨ NEOPRENE CONFORT EDGE
- ⑩ SOLID STATE SPEED CONTROL
- ⑪ ULTRAVIOLET LIGHT

MODEL	A	B	C
AC322	38"	22 1/2"	60"
AC422	50"	22 1/2"	60"
AC522	62"	22 1/2"	60"
AC622	74"	22 1/2"	60"
AC822	98"	22 1/2"	60"
AC3302	38"	28 1/2"	66"
AC4302	50"	28 1/2"	66"
AC5302	62"	28 1/2"	66"
AC6302	74"	28 1/2"	66"
AC8302	98"	28 1/2"	66"

\* CUSTOM SIZES AVAILABLE  
AC5302 SHOWN

DRAWN FOR:		<b>HALCO PRODUCTS CO.</b> 100 NO. GORDON STREET ELK GROVE, IL. 60007			
		TITLE AC HORIZONTAL CONSOLE			
DRAWN BY	SLB	SIZE	JOB NO.	DWG NO.	REV
APPROVED BY		SCALE	3/4"=1'-0"	DATE	9/27/01
				148902CB	
				SHEET	