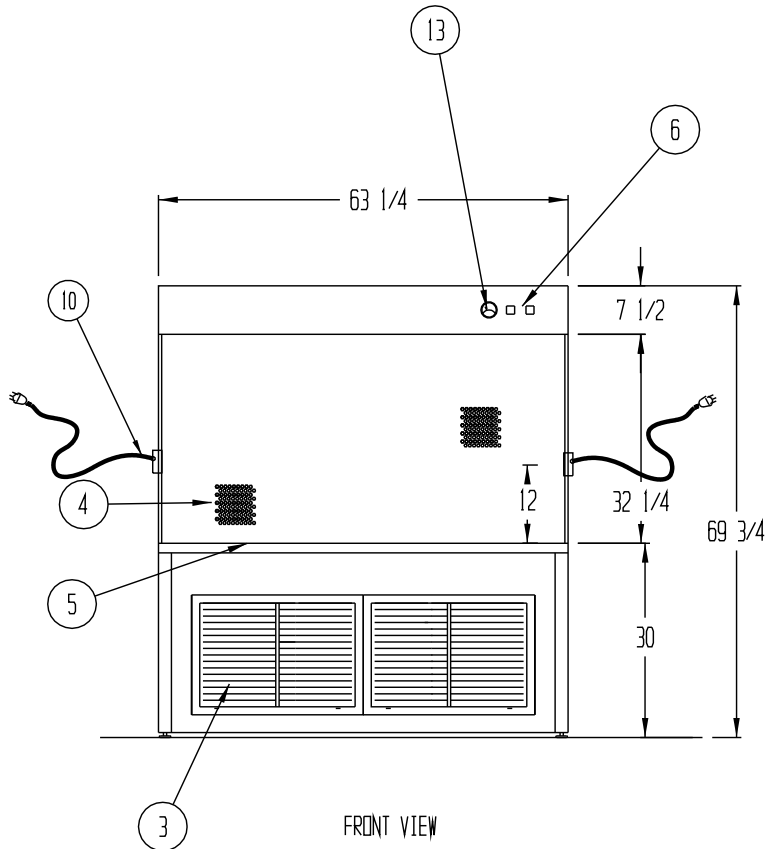
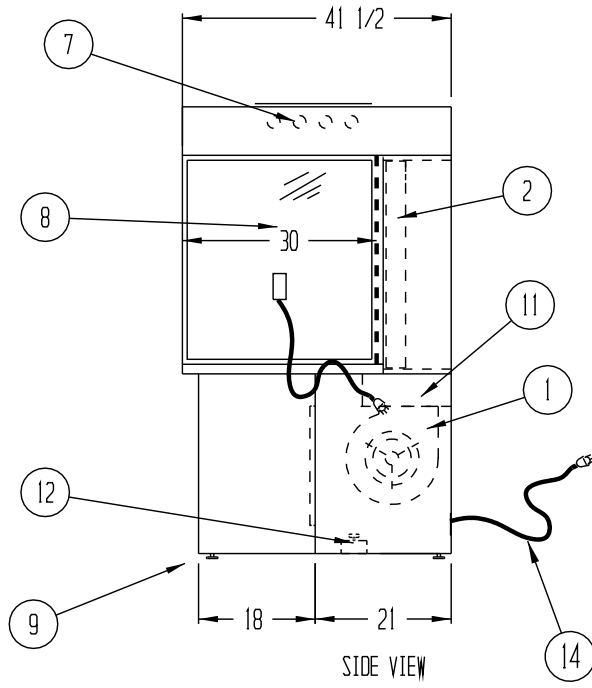


REVISIONS			
REV	DESCRIPTION	DATE	APPROVED
A	AS-BUILT, CORRECT SCALE, ADD POWER CORD	01/05/2010	SM



FRONT VIEW



SIDE VIEW

- ① 1 EA. DD10-10AT DIRECT DRIVE BLOWER WITH 1/2 HP. MOTOR 115 VOLT/ 1 PHASE/ 60 CYCLE/ 7.1 FLA, CAPABLE OF PRODUCING 1250 CFM EACH AT 1" S.P.
- ② 1 EA. 30" X 60" X 3 1/2" HEPA FILTER, 99.99% EFFECTIVE ON PARTICLES OF 0.3 MICRONS IN SIZE, FRONT LOADING GEL
- ③ 2 EA. 25" X 16" X 1" ANODIZED ALUMINUM PRE-FILTER GRILLE WITH 35% EFFICIENT DISPOSABLE PRE-FILTERS
- ④ PERFORATED ANODIZED ALUMINUM HEPA FILTER DISCHARGE GRILLE
- ⑤ WHITE PLASTIC LAMINATE WORK SURFACE
- ⑥ CONTROL/LIGHT SWITCHES
- ⑦ FLUORESCENT LIGHT FIXTURE WITH FLUORESCENT TUBES CAPABLE OF PRODUCING 80 F.C.
- ⑧ CLEAR POLYCARBONATE SIDE PANELS
- ⑨ LEG LEVELERS
- ⑩ 2 EACH 120V, 15A DUPLEX RECEPTACLES W/ SEPARATE POWER CORDS MOUNTED IN SIDE PANEL
- ⑪ PLENUM AREA
- ⑫ ELECTRONIC SPEED CONTROL
- ⑬ MINIHELIC PRESSURE GAUGE FOR HEPA FILTER
- ⑭ UNIT POWERCORD 120V/1PH/60HZ (7.3 FLA)

NOTES:

- CONSTRUCTION TO BE 16 GA. GALVANNEALED STEEL COATED WITH WHITE EPOXY PAINT
- UNIT TO MEET ISO STANDARD 14644-1 (FED. STD. 209E) FOR CLASS 100 DEVICES
- ELECTRICAL WIRING TO CONFORM TO LATEST N.E.C. STANDARDS

DRAWN FOR		<b>HALCO PRODUCTS CO.</b>			
		100 NO. GORDON STREET ELK GROVE, IL. 60007			
		TITLE HORIZONTAL CONSOLE - MODEL# AC53030-ST/SP			
DRAWN BY	TM	SIZE	JOB NO. 12331	DWG NO. 1415950AA	REV A
APPROVED BY		SCALE 3/8"=1'-0"	DATE 11-18-09	SHEET	